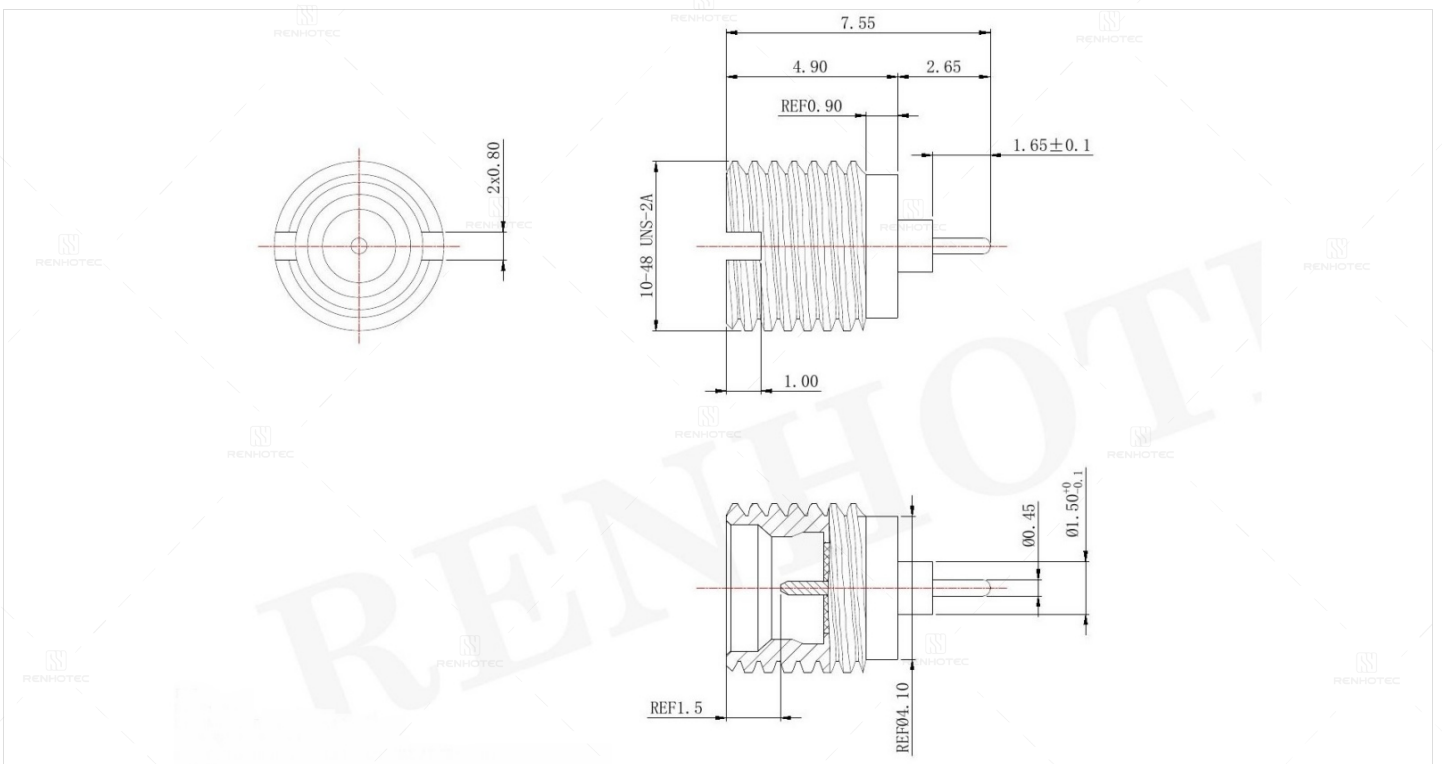


SMP Plug for PCB Connector - RHT-628-2027



Drawing



Basic Information

Connector Type	Plug
Mounting Type	Panel Mount
Orientation	Straight
RF Series	SMP Type

Electrical Specification

Dielectric Withstanding Voltage	1000 V
---------------------------------	--------

Environmental Specification

Temperature Range	-55°C to +125°C
-------------------	-----------------

Material and Finish

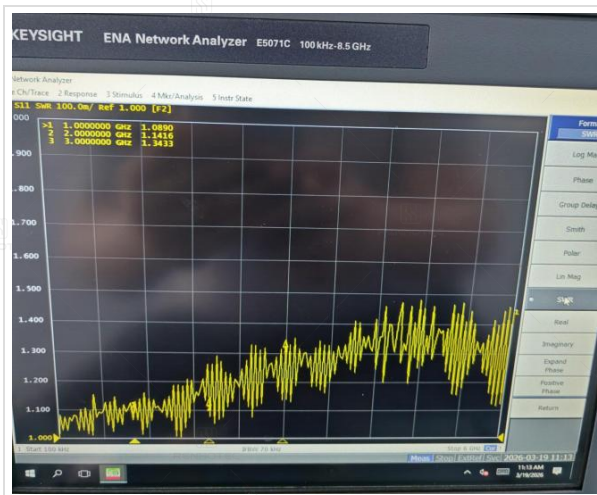
Component Description	Material	Finish
Insulator	PTFE	-
Contact	Beryllium Copper	Gold Plated
Center Contact	Stainless Steel	Passivation Plating

Impedance Testing

Impedance	50 ohm
-----------	--------

Frequency & VSWR Test Report

Frequency Range	DC-40GHz
VSWR	1.35 MAX



Contact Resistance Test

Contact Type

Male Pin



Working Voltage & Insulation Resistance Test

Insulation Resistance

5000M Ω Min



Disclaimer

The information in this specification is subject to change without notice. Please confirm the latest version before use. Technical parameters are for reference only, and sufficient testing and verification should be conducted in actual applications.