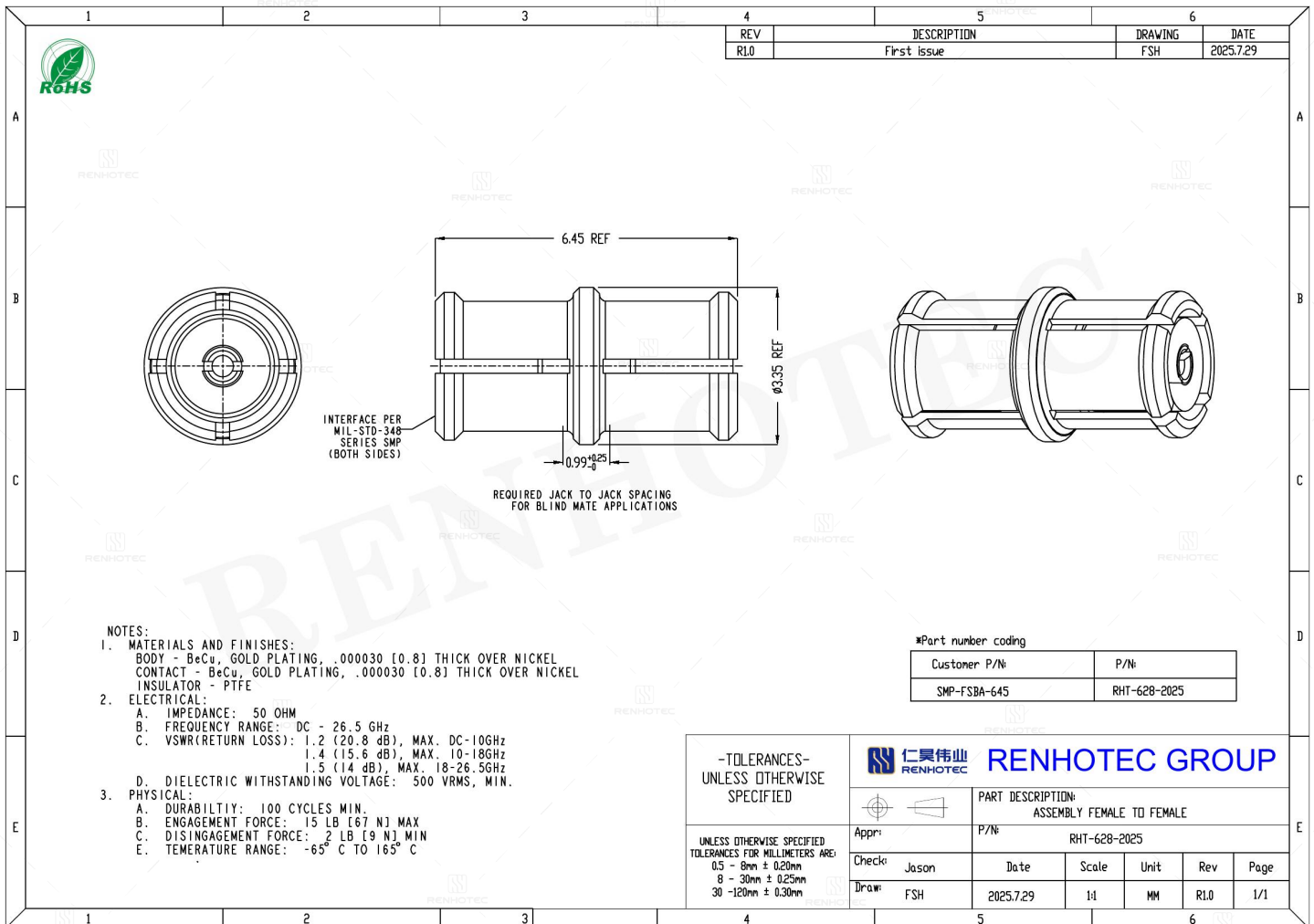


SMP Female to SMP Female Adapter - RHT-628-2025

Drawing



Basic Information

1st Connector	Jack
1st Contact Type	Female Pin
2nd Connector	Jack
2nd Contact Type	Female Pin
Adapter Style	SMP to SMP
Convert From(Adapter 1)	SMP
Convert To(Adapter 2)	SMP
Orientation	Straight

Electrical Specification

Dielectric Withstanding Voltage	500 V
Return loss	1.2 (20.8 dB)\, MAX. DC-10GHz, 1.4 (15.6 dB)\, MAX. 10-18GHz, 1.5 (14 dB)\, MAX. 18-26.5GHz

Mechanical Specification

Mating Durability	100 Cycles mini
--------------------------	-----------------

Environmental Specification

Temperature Range	-65°C to +165°C
--------------------------	-----------------

Material and Finish

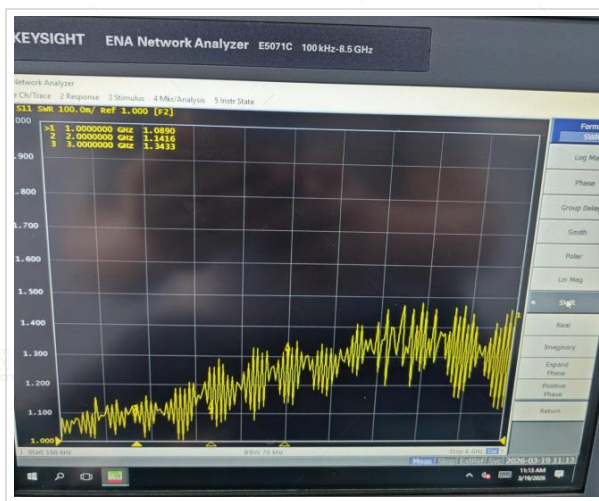
Component Description	Material	Finish
Insulator	PTFE	-
Contact	BeCu	Gold Plated
Center Contact	-	Gold Plated

Impedance Testing

Impedance	50 ohm
------------------	--------

Frequency & VSWR Test Report

Frequency Range	DC-26.5GHz
------------------------	------------



Contact Resistance Test



Working Voltage & Insulation Resistance Test



Disclaimer

The information in this specification is subject to change without notice. Please confirm the latest version before use. Technical parameters are for reference only, and sufficient testing and verification should be conducted in actual applications.