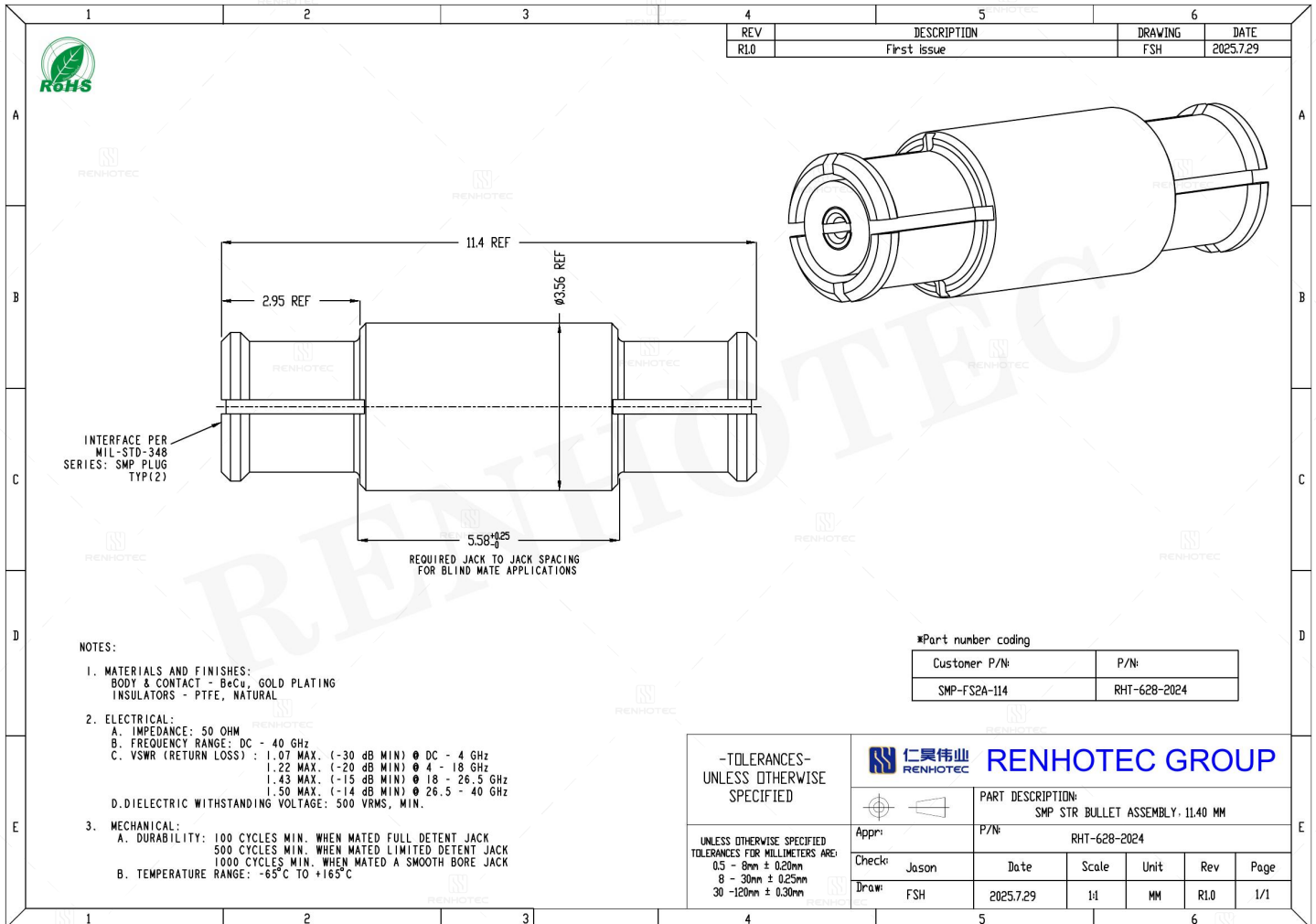


## SMP Female to SMP Female Adapter - RHT-628-2024

### Drawing



### Basic Information

<b>1st Connector</b>	Jack
<b>1st Contact Type</b>	Female Pin
<b>2nd Connector</b>	Jack
<b>2nd Contact Type</b>	Female Pin
<b>Adapter Style</b>	SMP to SMP
<b>Convert From(Adapter 1)</b>	SMP
<b>Convert To(Adapter 2)</b>	SMP
<b>Orientation</b>	Straight

### Electrical Specification

<b>Dielectric Withstanding Voltage</b>	500 V
<b>Return loss</b>	1.07 MAX. (-30 dB MIN) @ DC - 4 GHz, 1.22 MAX. (-20 dB MIN) @ 4 - 18 GHz, 1.43 MAX. (-15 dB MIN) @ 18 - 26.5 GHz, 1.50 MAX. (-14 dB MIN) @ 26.5 - 40 GHz

### Environmental Specification

<b>Temperature Range</b>	-65°C to +165°C
--------------------------	-----------------

### Material and Finish

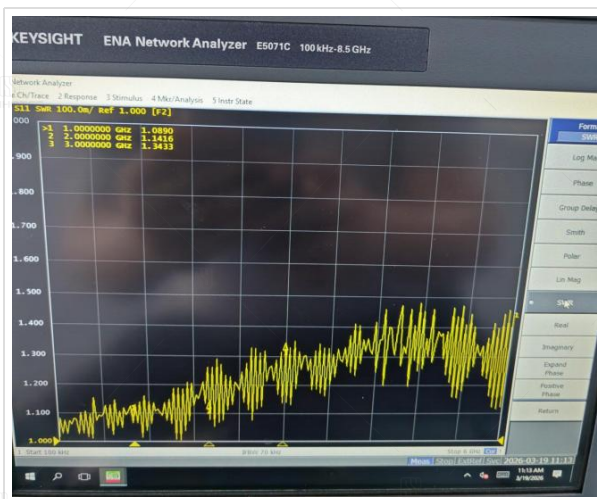
Component Description	Material	Finish
Insulator	PTFE	-
Contact	BeCu	Gold Plated
Center Contact	-	Gold Plated

### Impedance Testing

<b>Impedance</b>	50 ohm
------------------	--------

### Frequency & VSWR Test Report

<b>Frequency Range</b>	DC-40GHz
------------------------	----------



### Contact Resistance Test



### Working Voltage & Insulation Resistance Test



### Disclaimer

The information in this specification is subject to change without notice. Please confirm the latest version before use. Technical parameters are for reference only, and sufficient testing and verification should be conducted in actual applications.