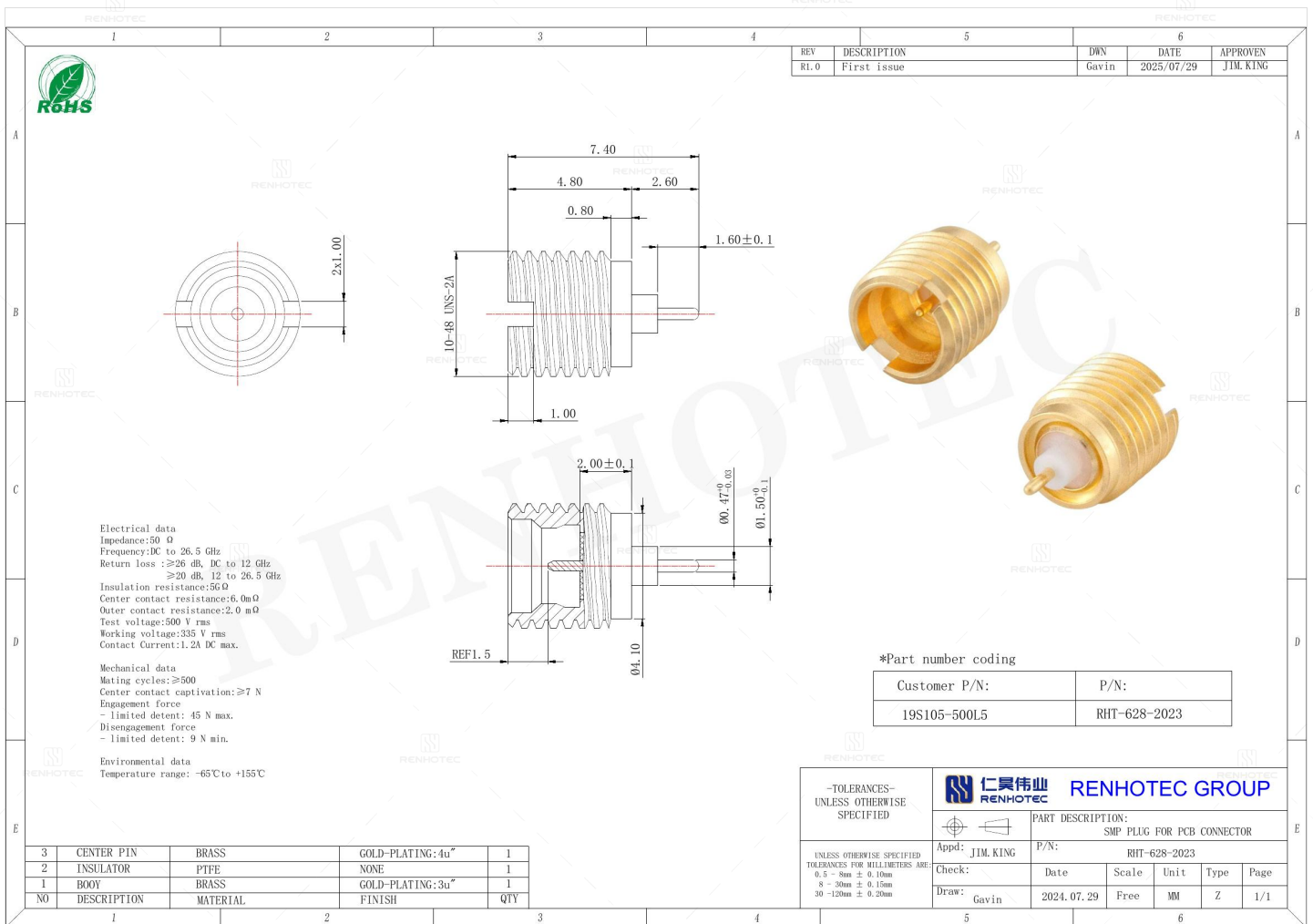


SMP Plug for PCB Connector - RHT-628-2023



Drawing



Basic Information

| | |
|----------------------------|-------------|
| Center Contact Captivation | 7N |
| Connector Type | Plug |
| Mounting Type | Panel Mount |
| Orientation | Straight |
| RF Series | SMP Type |

Electrical Specification

| | |
|-----------------|--|
| Contact Current | 1..2A DC max |
| Return loss | ≥20 dB\, 40 to 26.5 GHz, ≥26 dB\, DC to 12 GHz |
| Test voltage | 500 V rms |

Mechanical Specification

| | |
|---------------------|-------------------------|
| Disengagement Force | Limited Detent 9 N max |
| Engagement Force | Limited Detent 45 N max |
| Mating Cycles | 500 Cycles mini |

Environmental Specification

| | |
|-------------------|-----------------|
| Temperature Range | -65°C to +155°C |
|-------------------|-----------------|

Material and Finish

| Component Description | Material | Finish |
|-----------------------|------------------|-------------|
| Insulator | PTFE | - |
| Contact | Beryllium Copper | Gold Plated |
| Center Contact | Beryllium Copper | Gold Plated |

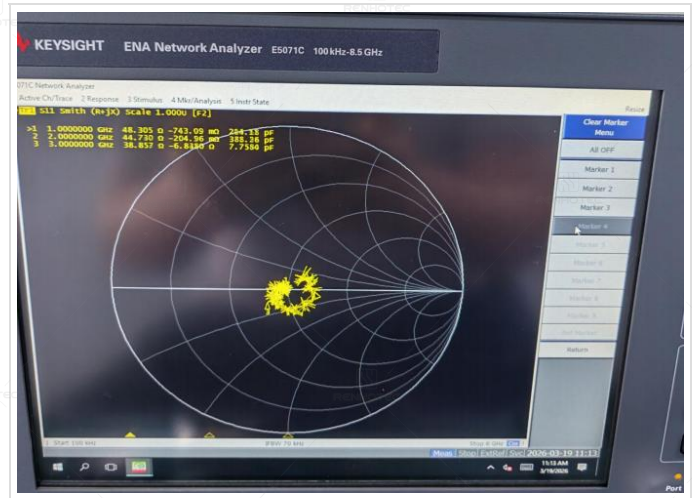
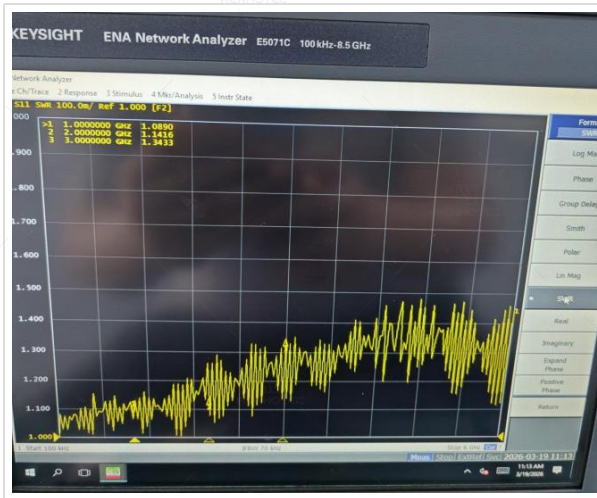
Impedance Testing

| | |
|-----------|--------|
| Impedance | 50 ohm |
|-----------|--------|

Frequency & VSWR Test Report

Frequency Range

DC-26.5GHz



Contact Resistance Test

Contact Type

Male Pin

Center Contact Resistance

≤6mΩ

Outer Contact Resistance

≤2mΩ



Working Voltage & Insulation Resistance Test

| | |
|-----------------------|-----------|
| Working Voltage | 325 V rms |
| Insulation Resistance | 5GΩ |



Disclaimer

The information in this specification is subject to change without notice. Please confirm the latest version before use. Technical parameters are for reference only, and sufficient testing and verification should be conducted in actual applications.