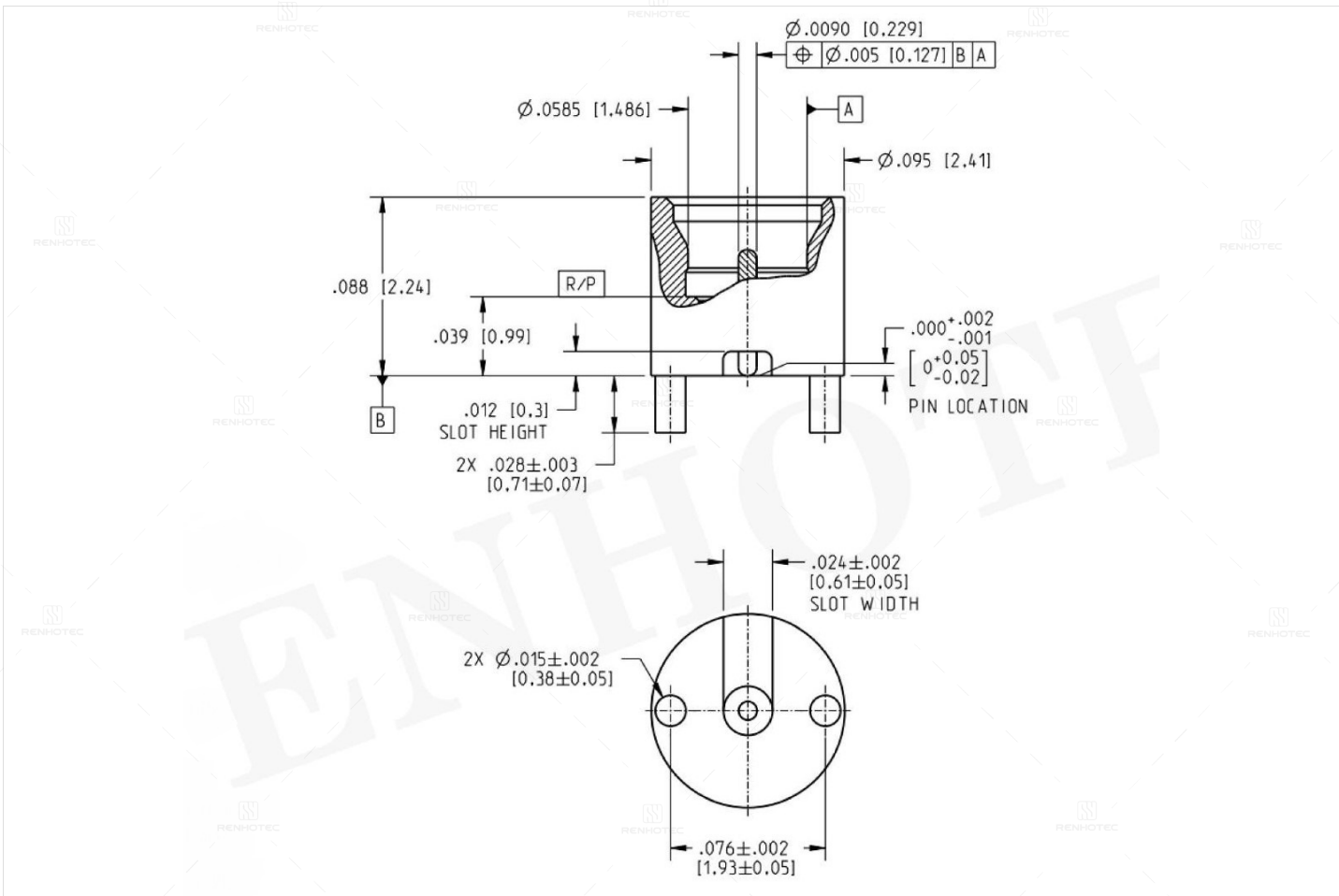


SMP Plug SMT Connector - RHT-628-2021



Drawing



Basic Information

Connector Type	Plug
Mounting Type	Panel Mount
Orientation	Straight
RF Series	SMP Type

Electrical Specification

Test voltage	250 V rms
--------------	-----------

Mechanical Specification

Mating Cycles	100 Cycles mini
---------------	-----------------

Environmental Specification

Temperature Range	-55°C to +165°C
-------------------	-----------------

Material and Finish

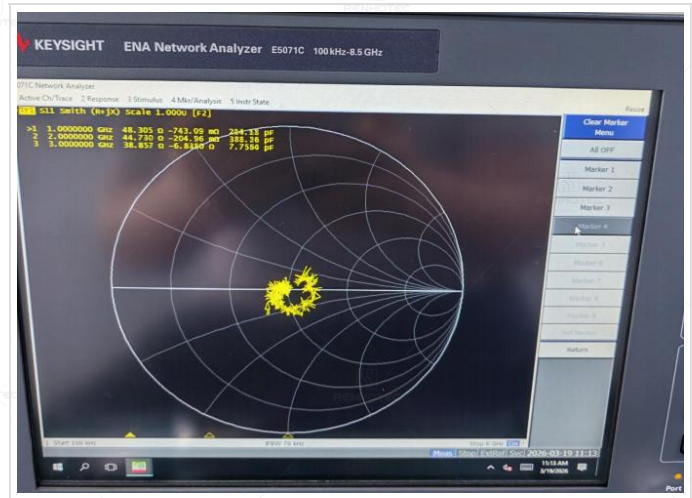
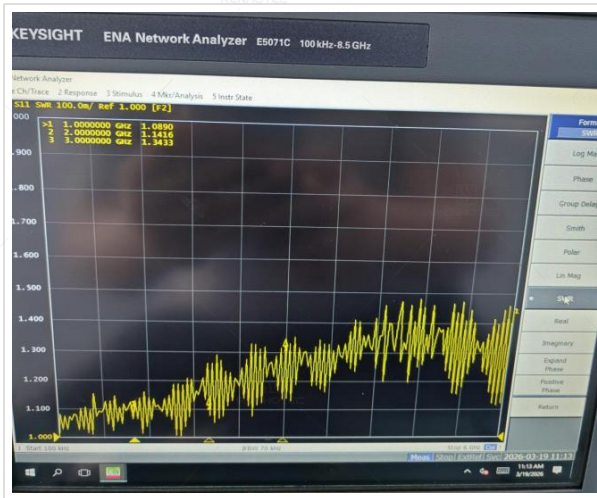
Component Description	Material	Finish
Insulator	7070 Glass	-
Contact	KOVAR per ASTM F15	Gold Plated
Center Contact	KOVAR per ASTM F15	Gold Plated

Impedance Testing

Impedance	50 ohm
-----------	--------

Frequency & VSWR Test Report

Frequency Range	DC-100GHz
-----------------	-----------



Contact Resistance Test

Contact Type	Male Pin
Center Contact Resistance	≤6mΩ
Outer Contact Resistance	≤2mΩ



Working Voltage & Insulation Resistance Test

Insulation Resistance

3.5GΩ min



Disclaimer

The information in this specification is subject to change without notice. Please confirm the latest version before use. Technical parameters are for reference only, and sufficient testing and verification should be conducted in actual applications.