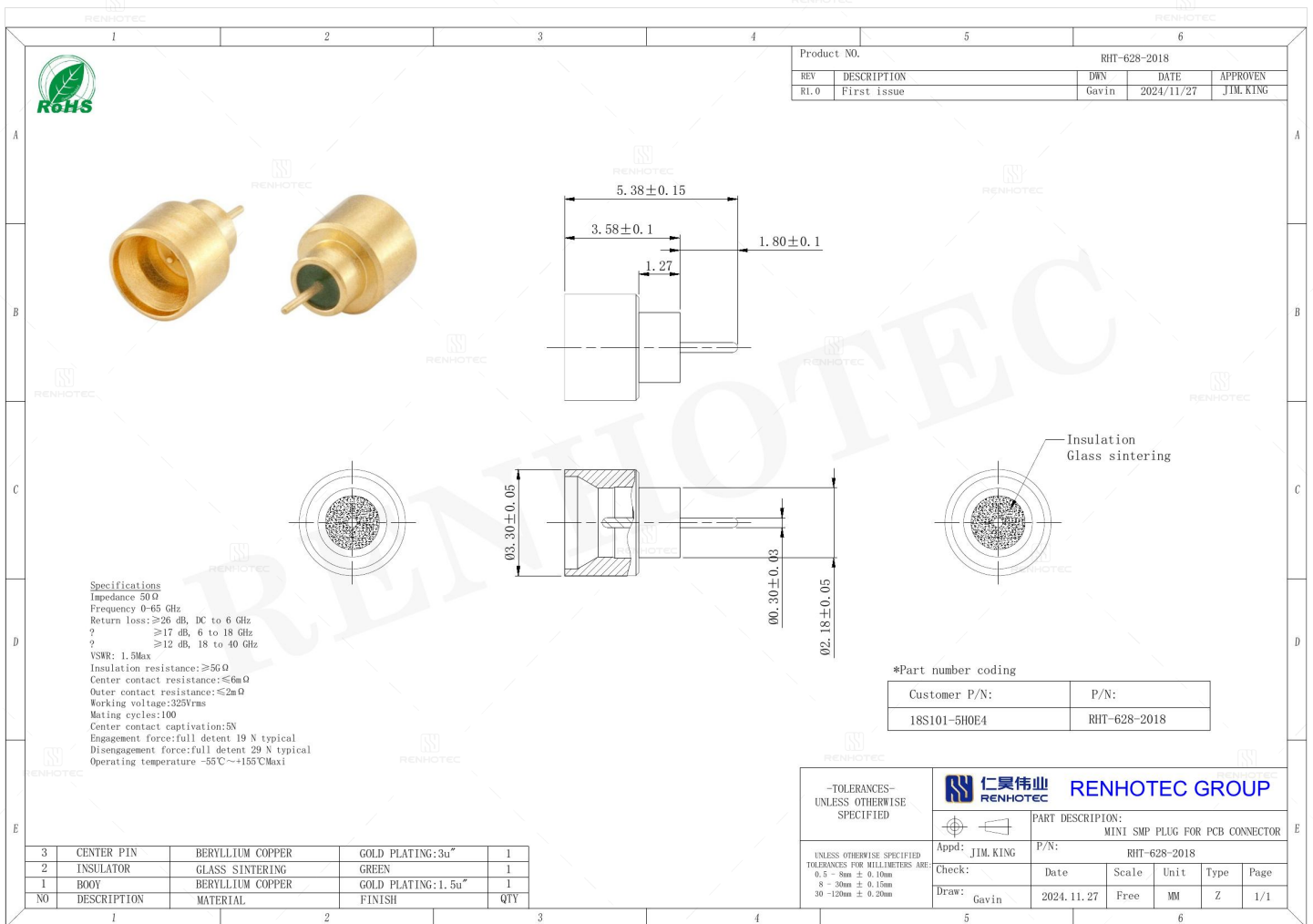


Mini SMP Plug for PCB Connector - RHT-628-2018



Drawing



Basic Information

Center Contact Captivation	5N
Connector Type	Plug
Mounting Type	Panel Mount
Orientation	Straight
RF Series	Mini SMP Type

Electrical Specification

Return loss	≥12 dB\, 18 to 40 GHz, ≥17 dB\, 6 to 18 GHz, ≥26 dB\, DC to 6 GHz
-------------	---

Mechanical Specification

Disengagement Force	Full Detent 29 N Typical
Engagement Force	Full Detent 19 N Typical
Mating Cycles	100 Cycles mini

Environmental Specification

Temperature Range	-55°C to +155°C
-------------------	-----------------

Material and Finish

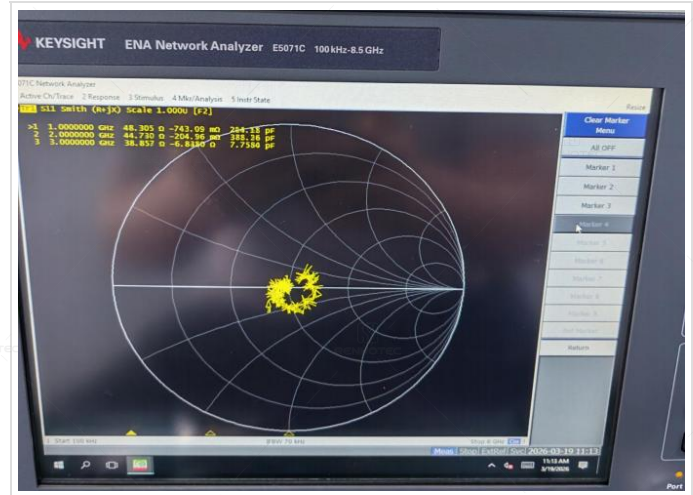
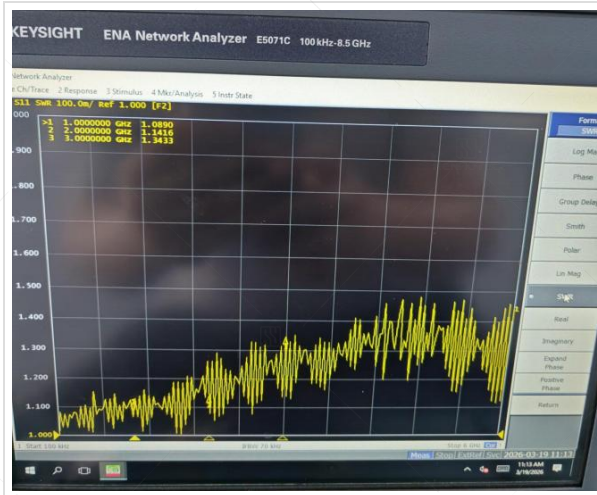
Component Description	Material	Finish
Insulator	Glass Sintering	-
Contact	Beryllium Copper	Gold Plated
Center Contact	Beryllium Copper	Gold Plated

Impedance Testing

Impedance	50 ohm
-----------	--------

Frequency & VSWR Test Report

Frequency Range	0-65GHz
VSWR	1.5 MAX



Contact Resistance Test

Contact Type	Male Pin
Center Contact Resistance	≤6mΩ
Outer Contact Resistance	≤2mΩ



Working Voltage & Insulation Resistance Test

Working Voltage	325 V rms
Insulation Resistance	5GΩ min



Disclaimer

The information in this specification is subject to change without notice. Please confirm the latest version before use. Technical parameters are for reference only, and sufficient testing and verification should be conducted in actual applications.