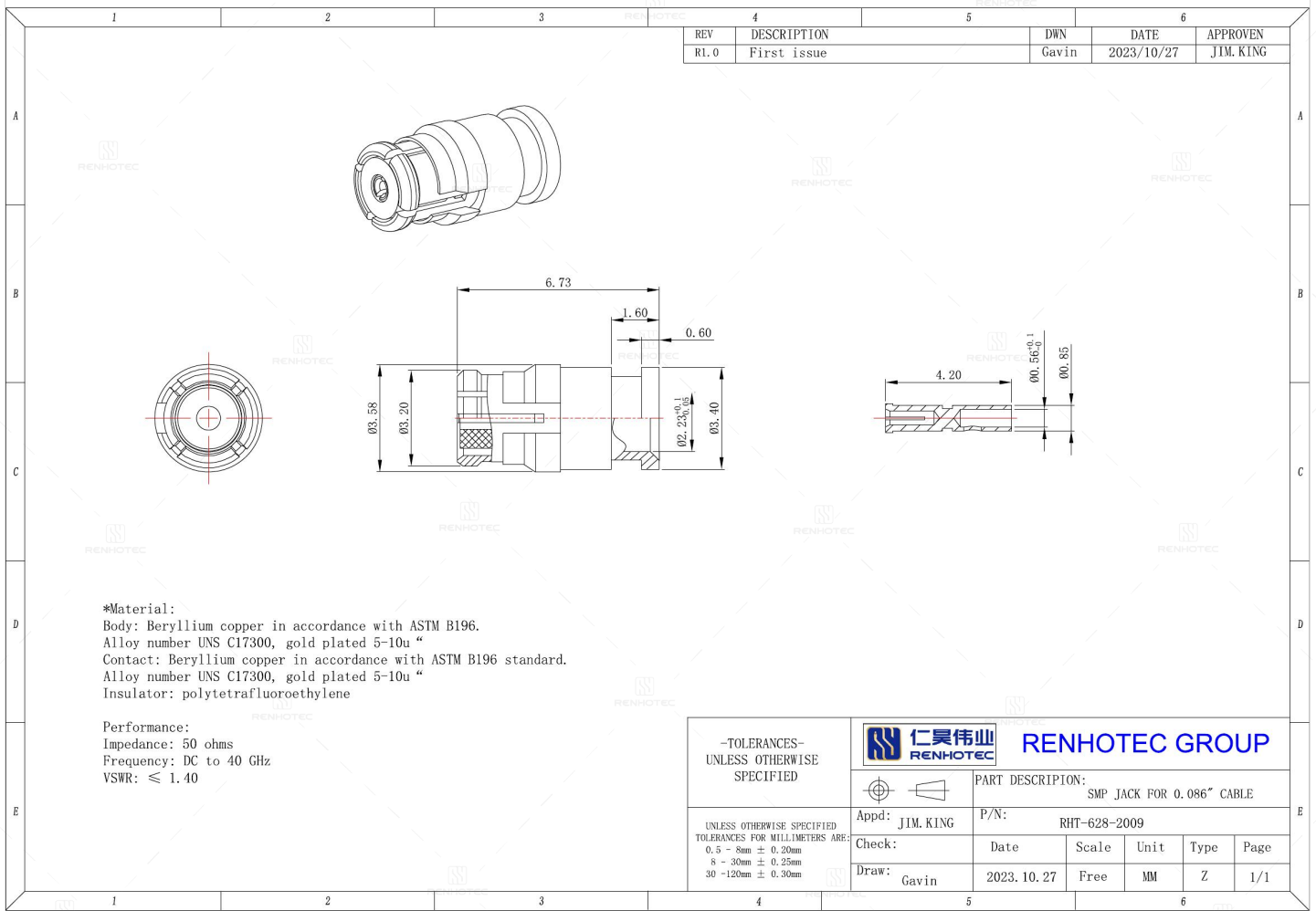


SMP Jack for 0.086" Cable - RHT-628-2009

Drawing



Basic Information

Connector Type	Jack
Orientation	Straight
RF Series	SMP Type
Suitable Cable	086 Cable

Material and Finish

Component Description	Material	Finish
Insulator	PTFE	-
Contact	Beryllium Copper	Gold Plated
Center Contact	Beryllium Copper	Gold Plated

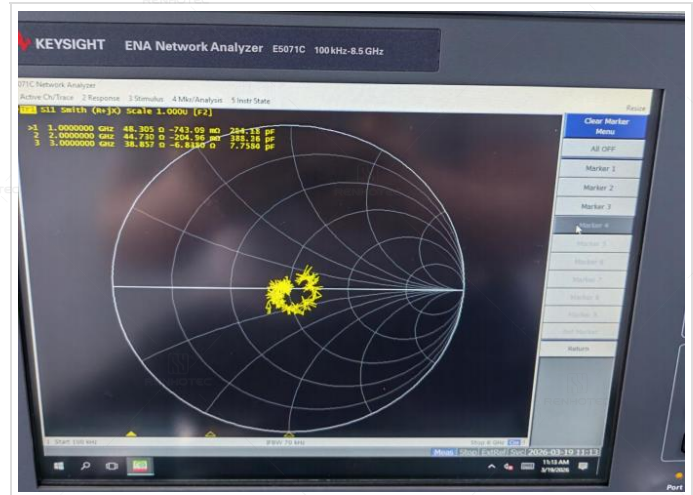
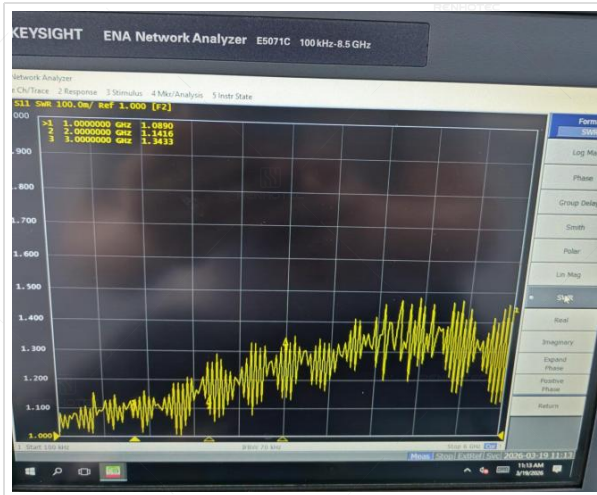
Impedance Testing

Impedance 50 ohm

Frequency & VSWR Test Report

Frequency Range DC-40GHz

VSWR 1.4 MAX



Contact Resistance Test

Contact Type Female Pin



Working Voltage & Insulation Resistance Test



Disclaimer

The information in this specification is subject to change without notice. Please confirm the latest version before use. Technical parameters are for reference only, and sufficient testing and verification should be conducted in actual applications.