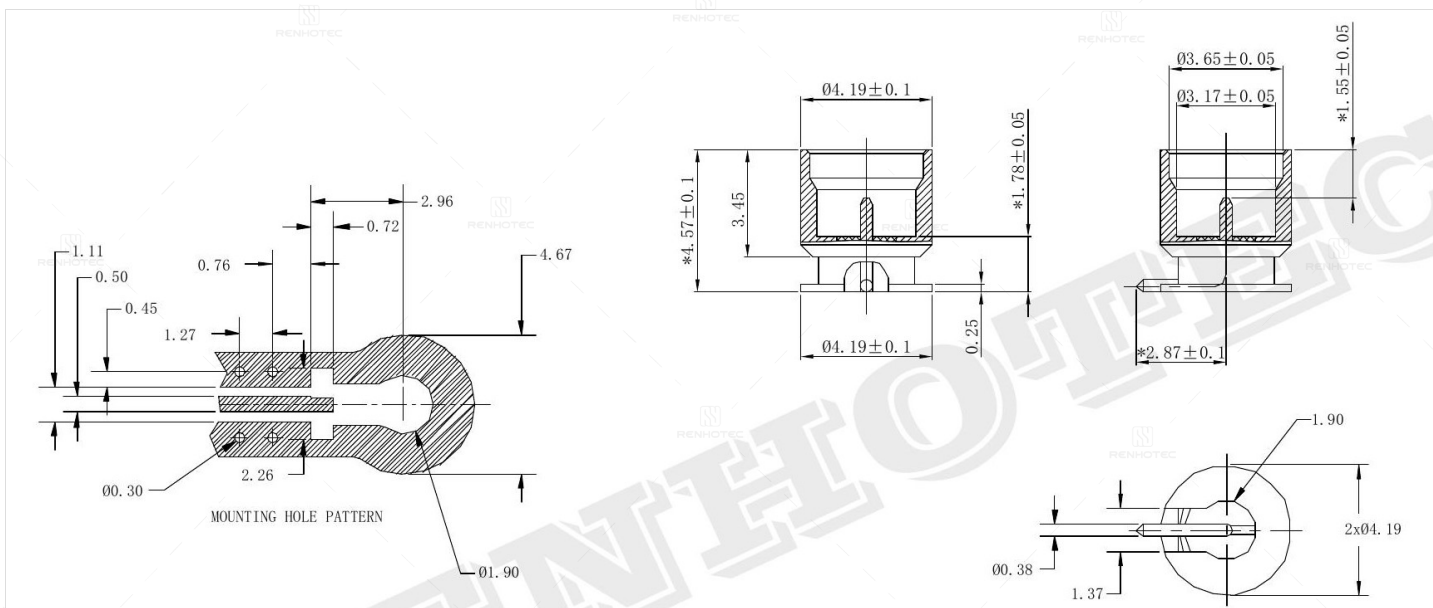


SMP Connector Male Plug 50 Ohms Surface Mount Solder - RHT-628-2008



Drawing



Basic Information

Connector Type	Plug
Fastening Type	Snap-On
Mounting Type	Surface Mount
RF Series	SMP Type

Mechanical Specification

Mating Cycles	1000 Cycles
---------------	-------------

Environmental Specification

Operating Temperature	-55°C to +125°C
-----------------------	-----------------

Material and Finish

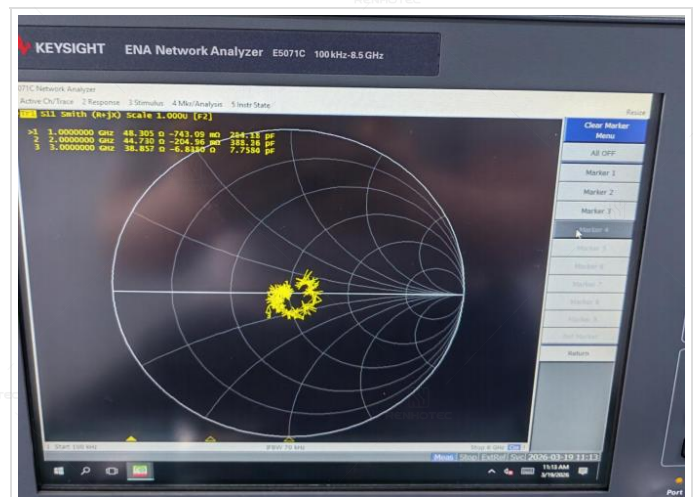
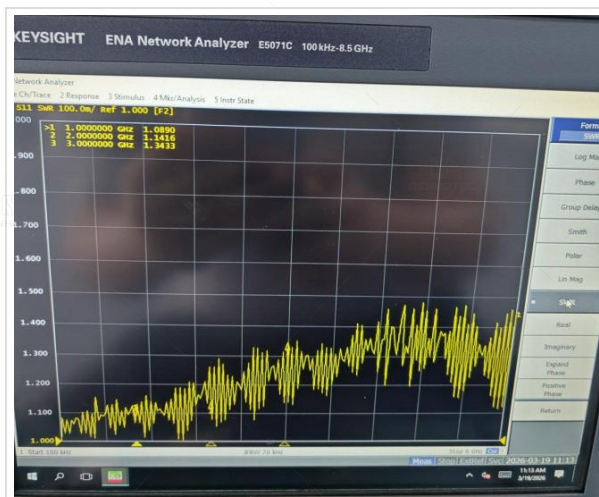
Component Description	Material	Finish
Contact	Brass	-
Body	Beryllium Copper	-
Center Contact	-	Gold Plated

Impedance Testing

Impedance	50 ohm
-----------	--------

Frequency & VSWR Test Report

Frequency Range	40 GHz
-----------------	--------



Contact Resistance Test

Contact Type	Male Pin
Contact Termination Style	Solder



Working Voltage & Insulation Resistance Test



Disclaimer

The information in this specification is subject to change without notice. Please confirm the latest version before use. Technical parameters are for reference only, and sufficient testing and verification should be conducted in actual applications.