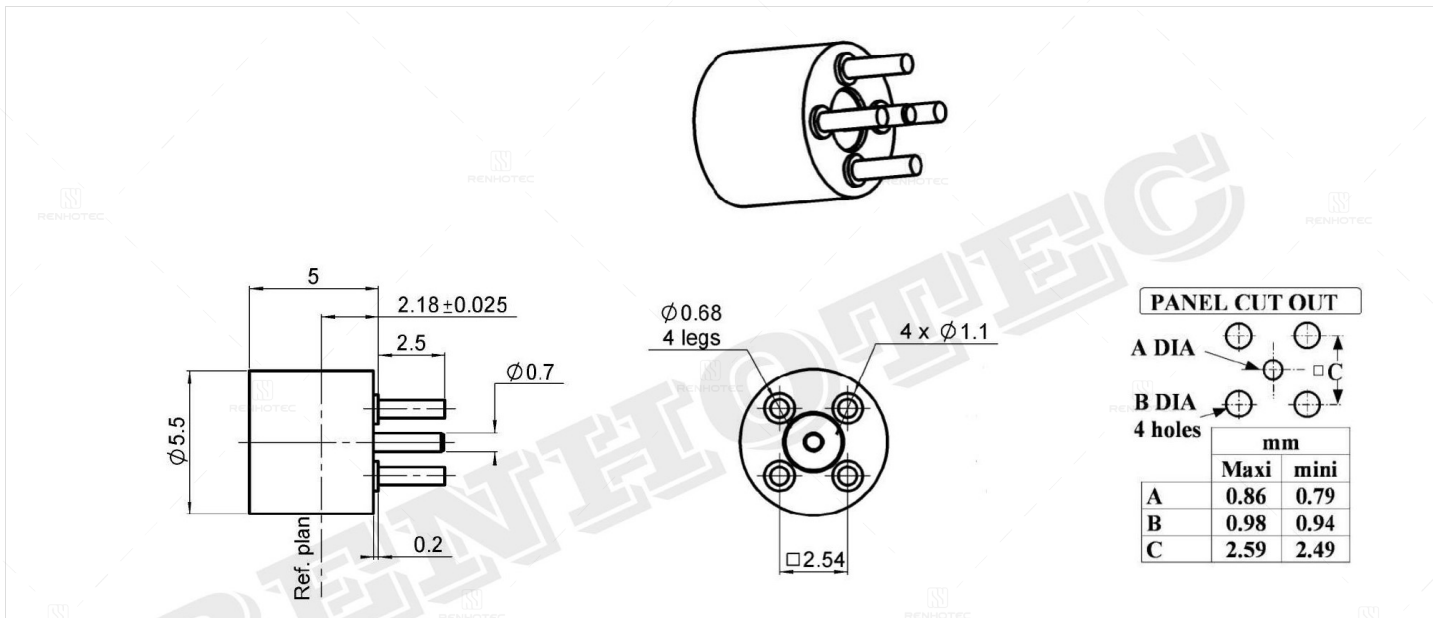


SMP Connector Receptacle Male Pin 50 Ohms Panel Mount, Through Hole Solder - RHT-628-2001



Drawing



Basic Information

Connector Type	Jack
Fastening Type	Snap-On
Gender	Male
Mounting Type	Panel Mount, Through Hole
Orientation	Straight
RF Series	SMP Type

Electrical Specification

Test voltage	500 V rms
--------------	-----------

Mechanical Specification

Mating Cycles	500 Cycles
---------------	------------

Environmental Specification

Operating Temperature	-65°C to +165°C
-----------------------	-----------------

Material and Finish

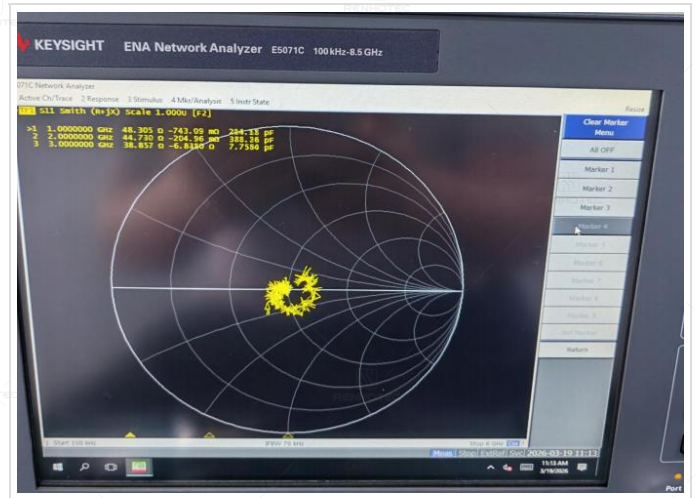
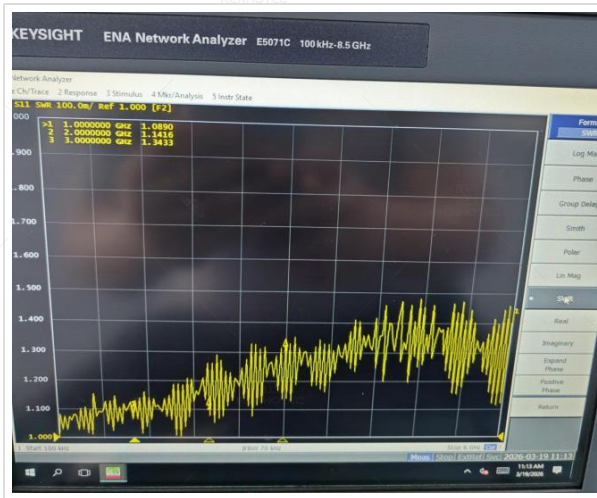
Component Description	Material	Finish
Dielectric	PTFE	-
Contact	Stainless Steel	-
Body	Beryllium Copper	-
Center Contact	-	Gold Plated

Impedance Testing

Impedance	50 ohm
-----------	--------

Frequency & VSWR Test Report

Frequency Range	12 GHz
-----------------	--------



Contact Resistance Test

Contact Type	Male Pin
Contact Termination Style	Solder



Working Voltage & Insulation Resistance Test

Working Voltage	335 V rms
Insulation Resistance	5000MΩ Min



Disclaimer

The information in this specification is subject to change without notice. Please confirm the latest version before use. Technical parameters are for reference only, and sufficient testing and verification should be conducted in actual applications.