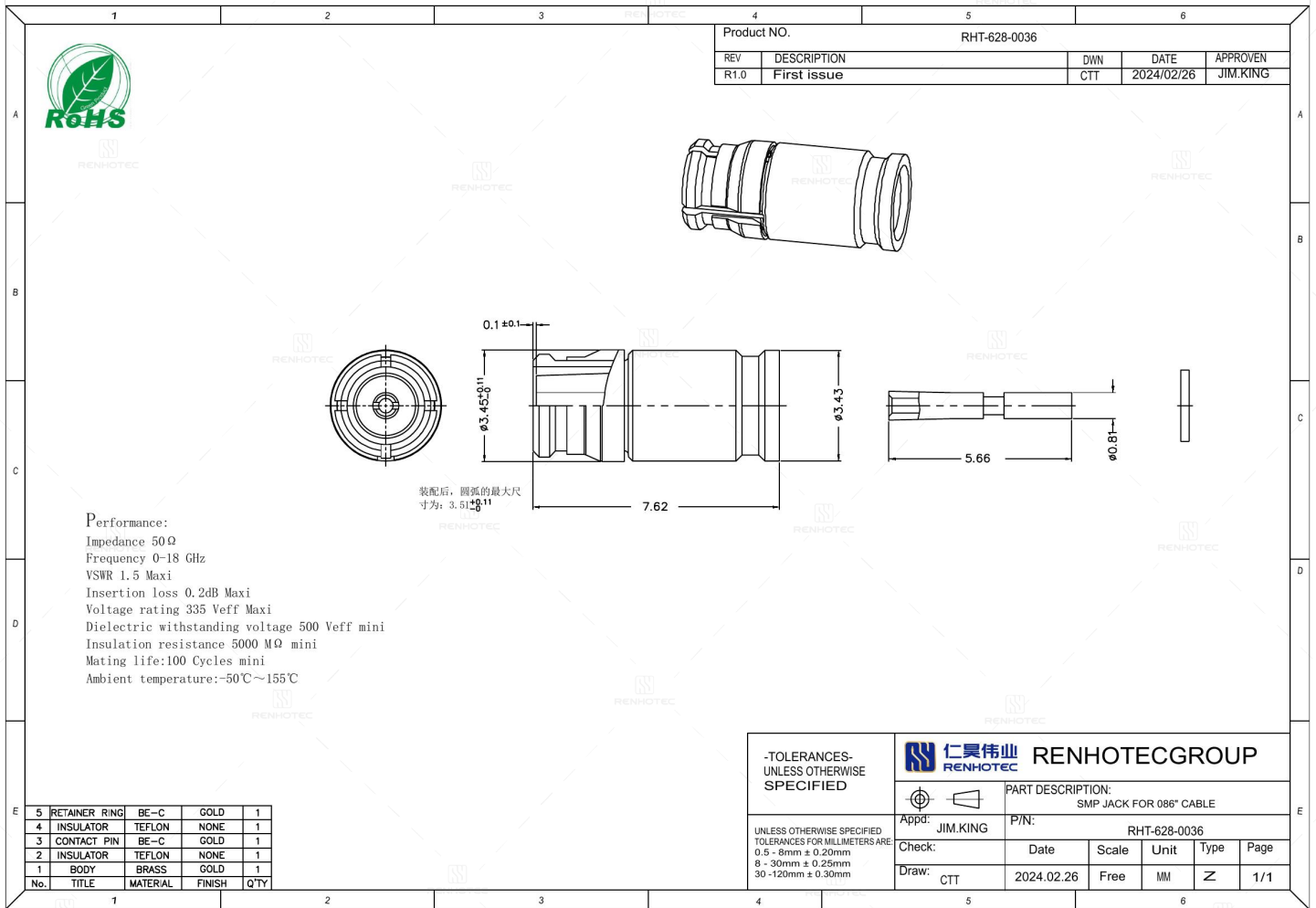


SMP Jack for 086" Cable - RHT-628-0036

Drawing



Basic Information

Connector Type	Plug
Orientation	Straight
RF Series	SMP Type
Suitable Cable	086" CABLE

Electrical Specification

Dielectric Withstanding Voltage	500 V
Insertion Loss	0.2dB Max

Mechanical Specification

Mating Cycles	100 Cycles mini
---------------	-----------------

Environmental Specification

Temperature Range	-50°C to +155°C
-------------------	-----------------

Material and Finish

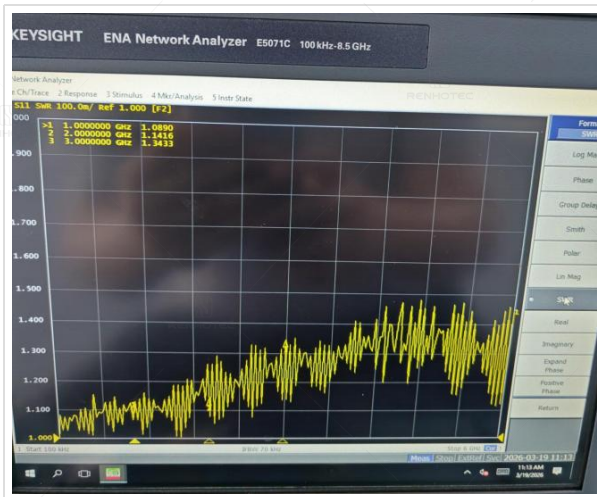
Component Description	Material	Finish
Insulator	TEFLON	-
Retainer Ring	BE-C	Gold Plated
Contact	BE-C	Gold Plated
Center Contact	Brass	Gold Plated

Impedance Testing

Impedance	50 ohm
-----------	--------

Frequency & VSWR Test Report

Frequency Range	0-18GHz
VSWR	1.5 MAX



Contact Resistance Test

Contact Type	Male Pin
--------------	----------



Working Voltage & Insulation Resistance Test

Working Voltage	335 V rms
Insulation Resistance	5000MΩ Min



Disclaimer

The information in this specification is subject to change without notice. Please confirm the latest version before use. Technical parameters are for reference only, and sufficient testing and verification should be conducted in actual applications.