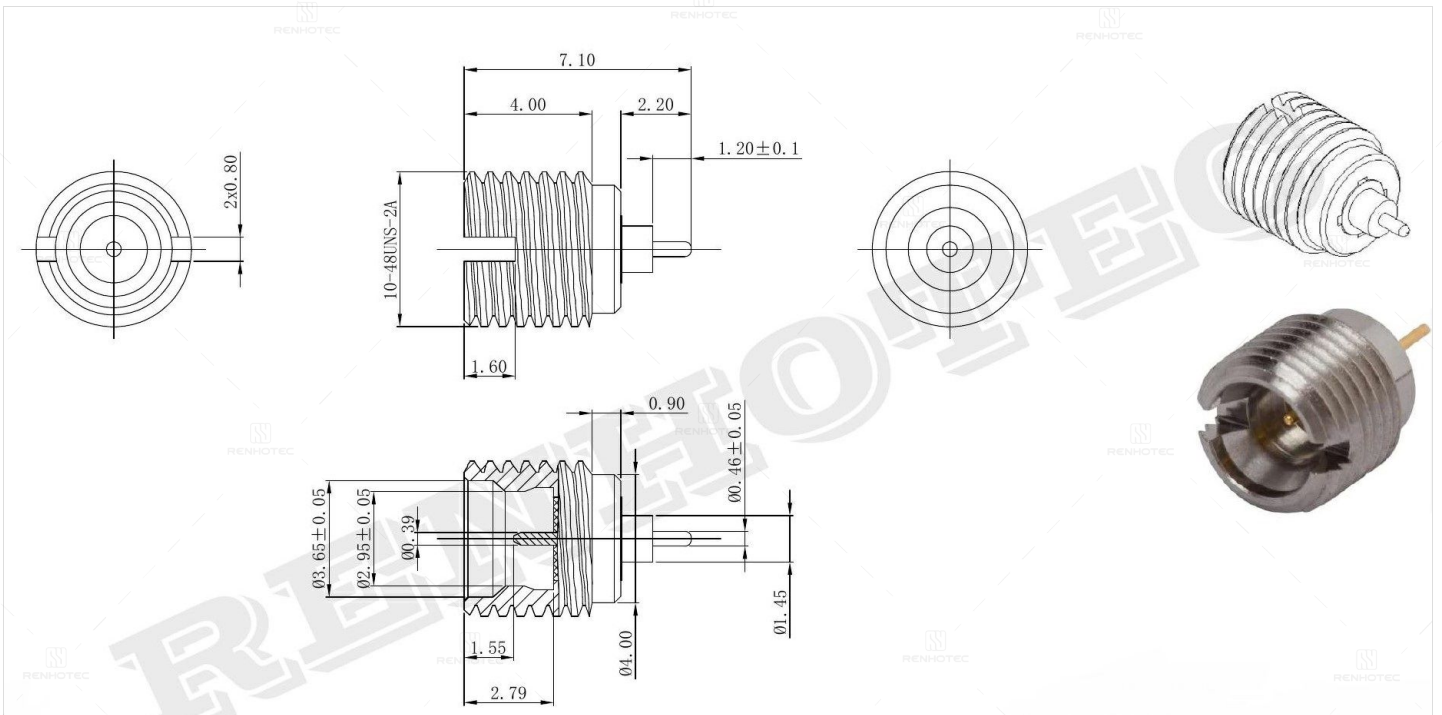


## RF Connectors SMP Thread-In Male Receptacle - RHT-628-0033



### Drawing



**Basic Information**

<b>Connector Type</b>	Jack
<b>Fastening Type</b>	Snap-On
<b>Gender</b>	Male
<b>Mounting Type</b>	Through Hole
<b>RF Series</b>	SMP Type

**Electrical Specification**

<b>Test voltage</b>	500 V rms
---------------------	-----------

**Mechanical Specification**

<b>Mating Cycles</b>	100 Cycles
----------------------	------------

**Environmental Specification**

<b>Operating Temperature</b>	-65°C to +165°C
------------------------------	-----------------

**Material and Finish**

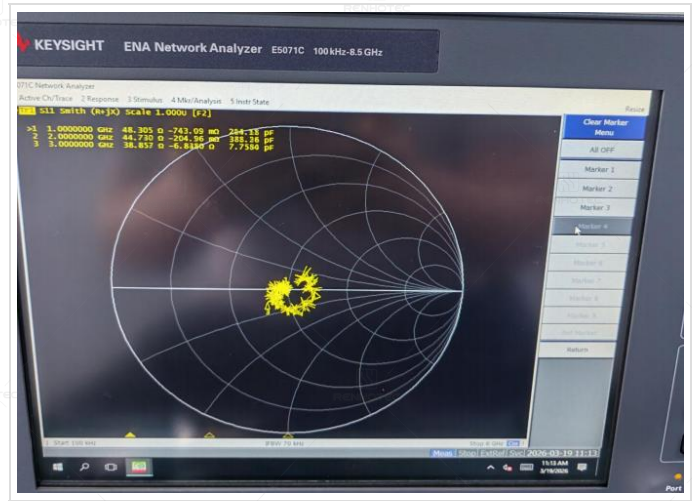
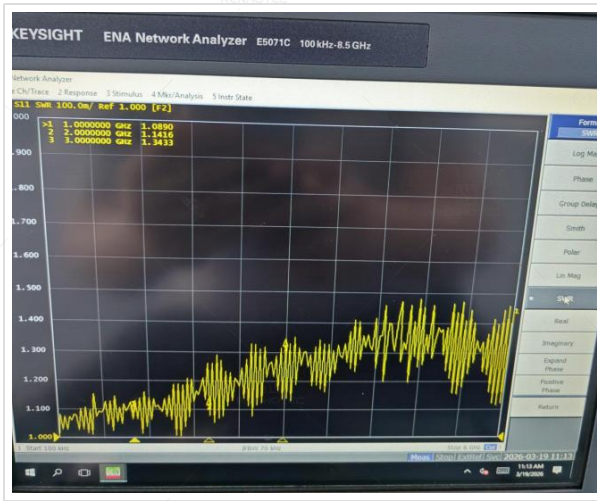
Component Description	Material	Finish
Dielectric	PTFE	-
Contact	Stainless Steel	-
Body	Beryllium Copper	-
Center Contact	-	Gold Plated

**Impedance Testing**

<b>Impedance</b>	50 ohm
------------------	--------

**Frequency & VSWR Test Report**

Frequency Range	12 GHz
-----------------	--------



**Contact Resistance Test**

Contact Type	Male Pin
Contact Termination Style	Solder



### Working Voltage & Insulation Resistance Test

Working Voltage	335 V rms
Insulation Resistance	5000MΩ Min



### Disclaimer

The information in this specification is subject to change without notice. Please confirm the latest version before use. Technical parameters are for reference only, and sufficient testing and verification should be conducted in actual applications.