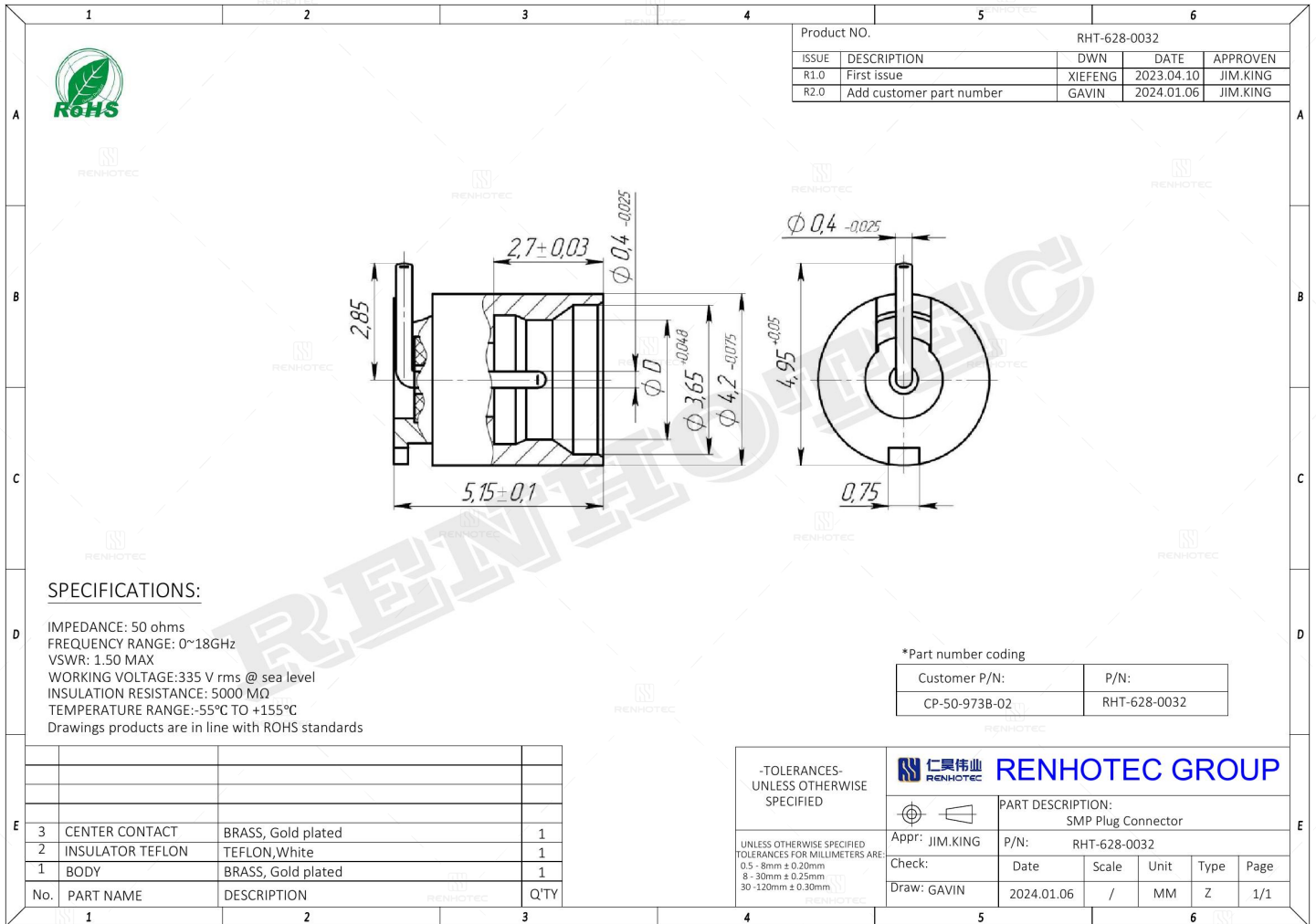


**R/A SMP Plug - RHT-628-0032**

**Drawing**



**Basic Information**

<b>Connector Type</b>	Plug
<b>Orientation</b>	Right Angle
<b>RF Series</b>	SMP Type

**Environmental Specification**

<b>Temperature Range</b>	-55°C to +155°C
--------------------------	-----------------

**Material and Finish**

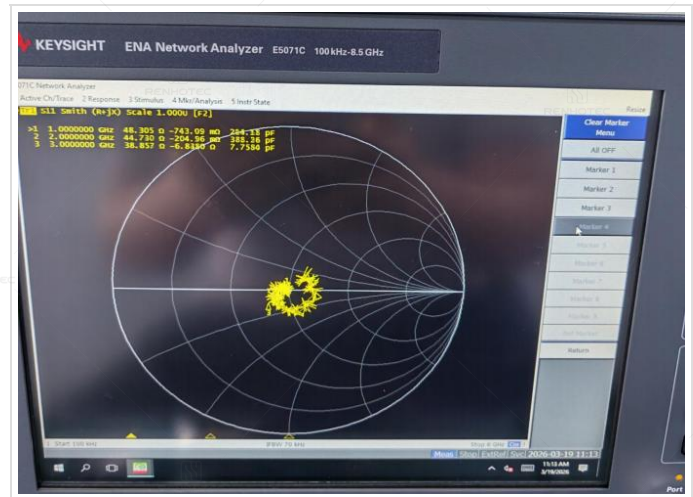
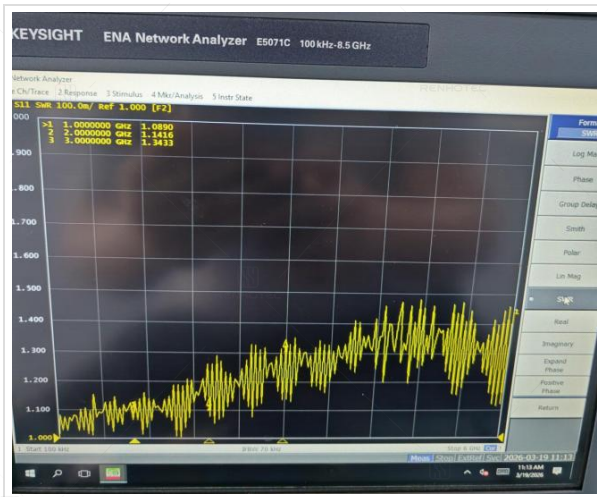
Component Description	Material	Finish
Insulator	TEFLON	-
Contact	Brass	Gold Plated
Center Contact	Brass	Gold Plated

**Impedance Testing**

Impedance	50 ohm
-----------	--------

**Frequency & VSWR Test Report**

Frequency Range	0-18GHz
VSWR	1.5 MAX



### Contact Resistance Test

Contact Type

Male Pin



### Working Voltage & Insulation Resistance Test

Working Voltage

335 V rms

Insulation Resistance

5000MΩ Min



### Disclaimer

The information in this specification is subject to change without notice. Please confirm the latest version before use. Technical parameters are for reference only, and sufficient testing and verification should be conducted in actual applications.