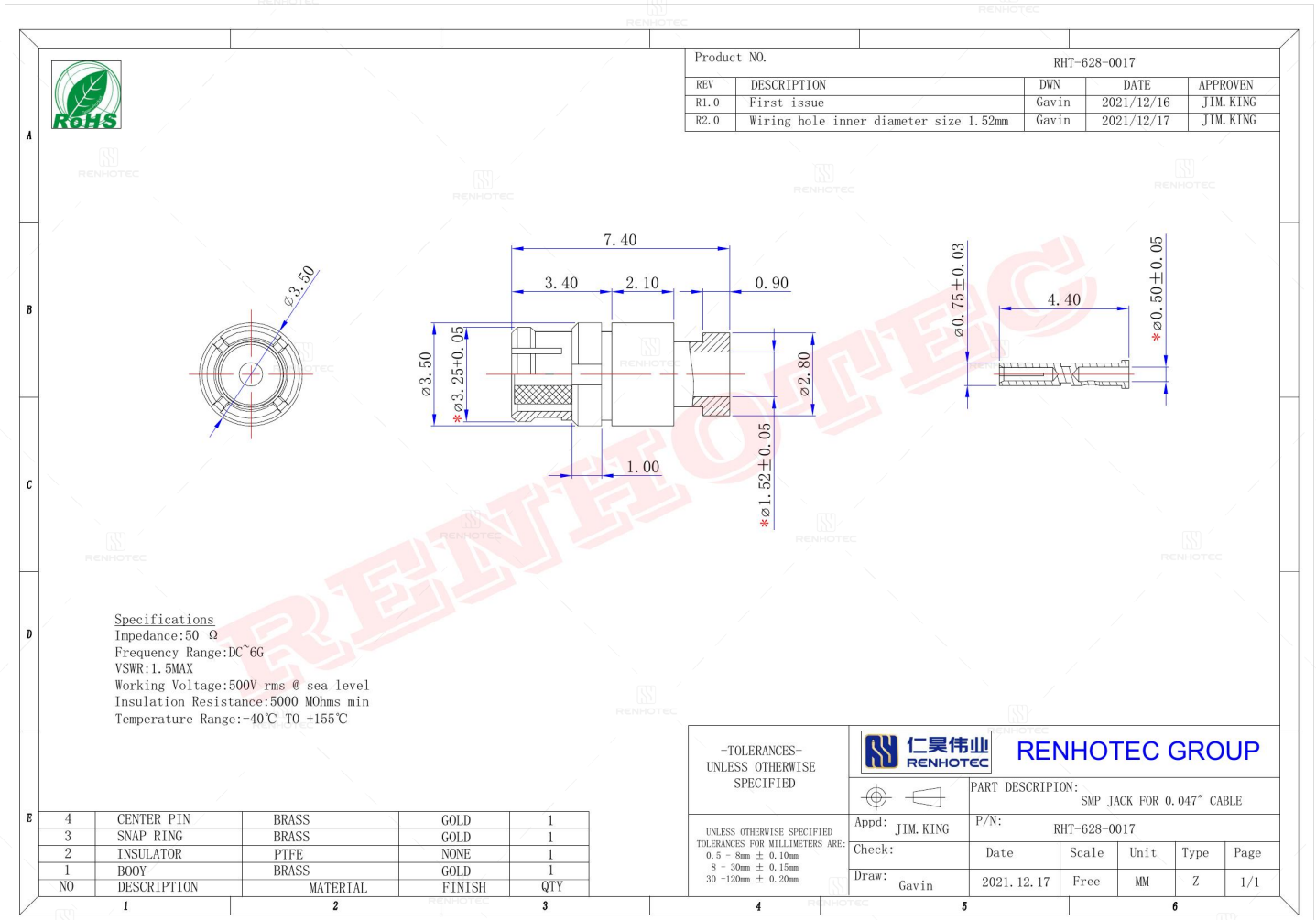


SMP Jack for 0.047" Cable - RHT-628-0017

Drawing



Basic Information

Connector Type	Jack
Orientation	Straight
RF Series	SMP Type
Suitable Cable	0.047" CABLE

Environmental Specification

Temperature Range	-40°C to +155°C
--------------------------	-----------------

Material and Finish

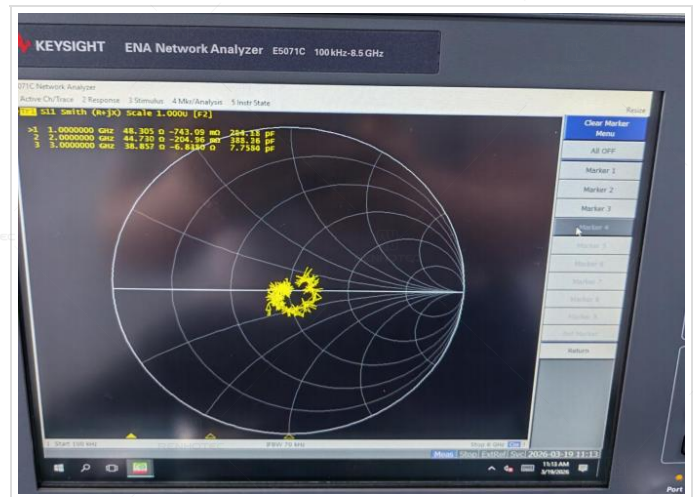
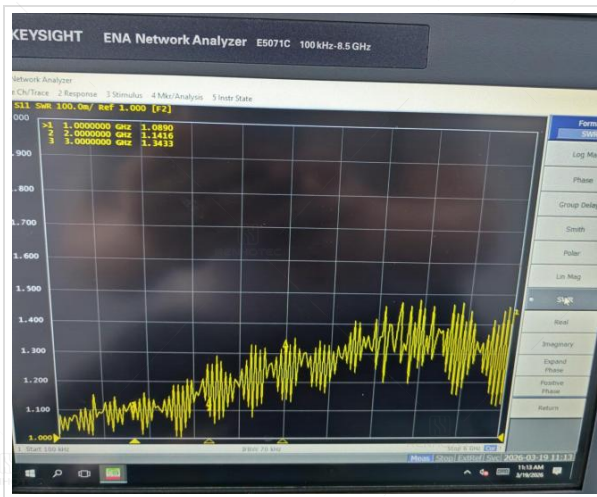
Component Description	Material	Finish
Insulator	PTFE	-
Contact	Brass	Gold Plated
Center Contact	Brass	Gold Plated
Snap Ring	Brass	Gold Plated

Impedance Testing

Impedance	50 ohm
-----------	--------

Frequency & VSWR Test Report

Frequency Range	DC-6GHz
VSWR	1.5 MAX



Contact Resistance Test

Contact Type	Female Pin
--------------	------------



Working Voltage & Insulation Resistance Test

Working Voltage	500 V
Insulation Resistance	5000MΩ Min



Disclaimer

The information in this specification is subject to change without notice. Please confirm the latest version before use. Technical parameters are for reference only, and sufficient testing and verification should be conducted in actual applications.