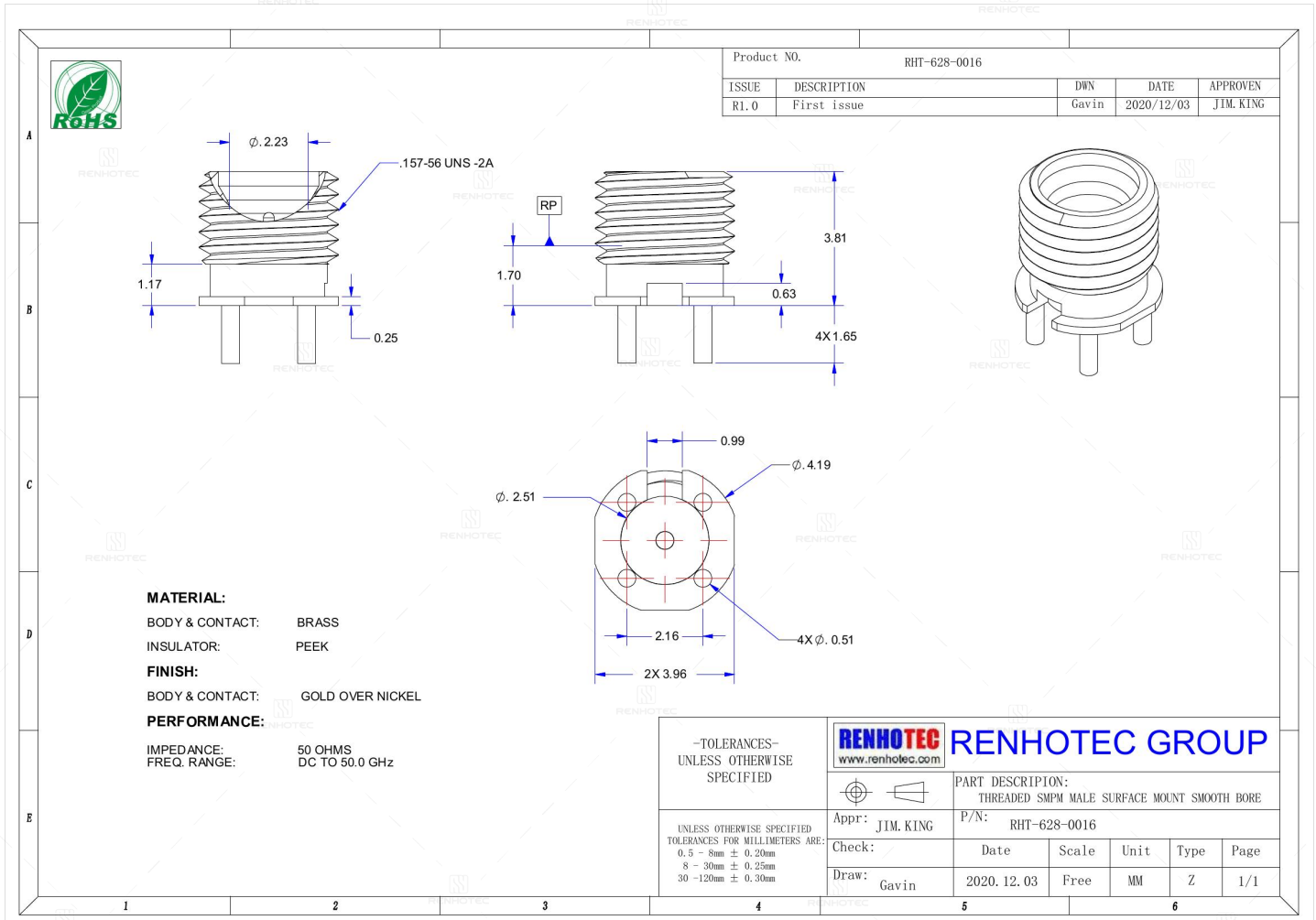


Threaded SMPM Male Surface Mount Smooth Bore - RHT-628-0016

Drawing



Basic Information

Connector Type	Plug
Mounting Feature	SURFACE MOUNT
Mounting Type	Panel Mount
Orientation	Straight
RF Series	SMPM Type

Material and Finish

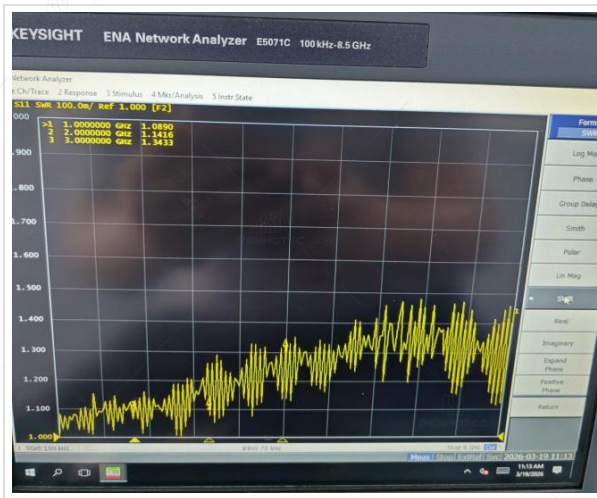
Component Description	Material	Finish
Insulator	PEEK	-
Contact	Brass	Gold Cover Nickel
Center Contact	Brass	Gold Cover Nickel

Impedance Testing

Impedance	50 ohm
-----------	--------

Frequency & VSWR Test Report

Frequency Range	DC-50GHz
-----------------	----------



Contact Resistance Test

Contact Type	Male Pin
--------------	----------



Working Voltage & Insulation Resistance Test



Disclaimer

The information in this specification is subject to change without notice. Please confirm the latest version before use. Technical parameters are for reference only, and sufficient testing and verification should be conducted in actual applications.