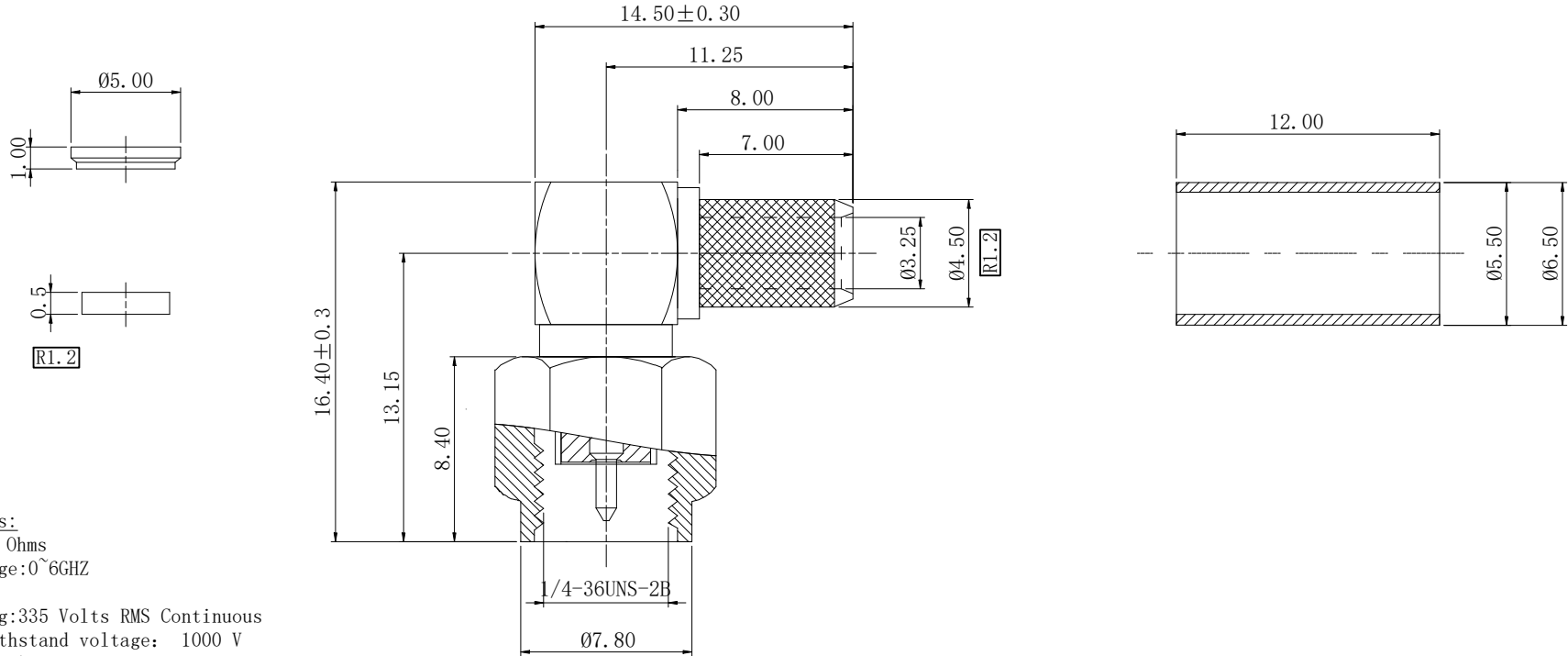




REV	DESCRIPTION	DWN	DATE	APPROVEN
R1.0	First issue	Gavin	2024/05/07	JIM. KING
R1.1	variation of parameters	Li	2026/02/04	Jason
R1.2	Dimensional Change	Li	2026/03/13	Jason



**Specifications:**  
 IMPEDANCE: 50 Ohms  
 Frequency range: 0~6GHZ  
 VSWR: 1.5MAX  
 Voltage Rating: 335 Volts RMS Continuous  
 Dielectric withstand voltage: 1000 V  
 Service life: ≥500  
 Insulation Resistance ≥5000MΩ  
 Center contact resistance: ≤3mΩ  
 Outer contact resistance: ≤2mΩ  
 Operation Temperature: -55℃ ~ +165℃

9	Copper tube	BRASS	GOLD	1
8	Metal cover	BRASS	GOLD	1
7	Insulating gasket	PTFE	NATURE	1
6	O-RING	RUBBER	RED	1
5	METAL SNAP RING	STEEL	PASSIVATION	1
4	CENTER CONTACT	BRASS	GOLD	1
3	INSULATOR	PTFE	NATURE	1
2	SMA NUT	BRASS	GOLD	1
1	BODY	BRASS	GOLD	1
NO	DESCRIPTION	MATERIAL	FINISH	QTY

-TOLERANCES- UNLESS OTHERWISE SPECIFIED	<b>RENHOTEC GROUP</b>				
	PART DESCRIPTION: R/A SMA PLUG FOR RG58 CABLE				
UNLESS OTHERWISE SPECIFIED TOLERANCES FOR MILLIMETERS ARE: 0.5 - 8mm ± 0.20mm 8 - 30mm ± 0.25mm 30 - 120mm ± 0.30mm	Appr:	P/N: RHT-612-6074			
	Check: Jason	Date	Scale	Unit	Type
	Draw: Li	2026.03.14	Free	MM	Z
				Page	1/1