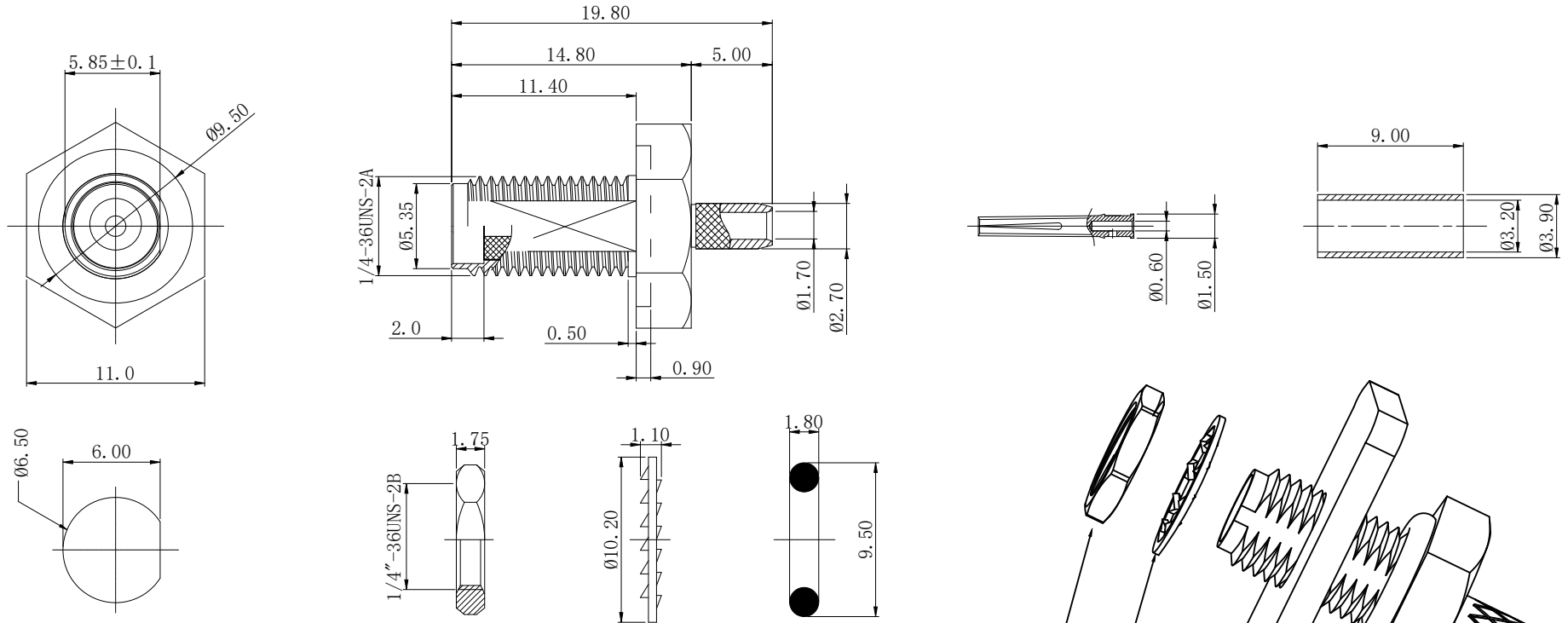




ISSUE	DESCRIPTION	DWN	DATE	APPROVEN
R1.0	First issue	Gavin	2022/11/24	JIM. KING
R1.1	Add the assembly schematic diagram	Li	2026/01/31	Jason



Recommended hole opening size
(chassis board thickness: 1.2 ~ 3.0 mm)

Specifications:

IMPEDANCE: 50 Ohms
 Frequency range: 0~6GHZ
 VSWR: 1.5MAX
 Voltage Rating: 335 Volts RMS Continuous
 Dielectric withstand voltage: 1000 V
 Service life: ≥500
 Insulation Resistance ≥5000MΩ
 Center contact resistance: ≤3mΩ
 Outer contact resistance : ≤2mΩ
 Operation Temperature: -55℃ ~ +165℃
 Waterproof Range: IP67, Mated

NO	DESCRIPTION	MATERIAL	FINISH	QTY
7	COPPER TUBE	BRASS	NICKEL	1
6	NUT	BRASS	GOLD	1
5	WASHER	IRON	GLD	1
4	O-RING	RUBBER	BLACK/RED	1
3	CENTER CONTACT	BRASS	GOLD	1
2	INSULATOR	PTFE	NATURE	1
1	BODY	BRASS	GOLD	1

Assembly drawing

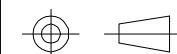
-TOLERANCES-
UNLESS OTHERWISE
SPECIFIED



仁昊伟业
RENHOTEC

RENHOTEC GROUP

UNLESS OTHERWISE SPECIFIED
TOLERANCES FOR MILLIMETERS ARE:
 0.5 - 8mm ± 0.20mm
 8 - 30mm ± 0.25mm
 30 -120mm ± 0.30mm



PART DESCRIPTION:
Waterproof SMA JACK FOR RG316 Cable

Appr:
Check: Jason
Draw: Li

P/N: RHT-612-6017					
Date	Scale	Unit	Type	Page	
2026.01.31	Free	MM	Z	1/1	