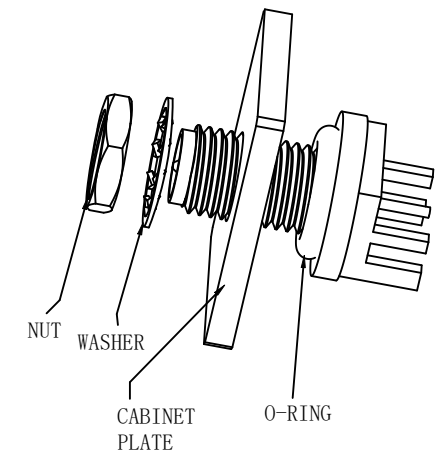
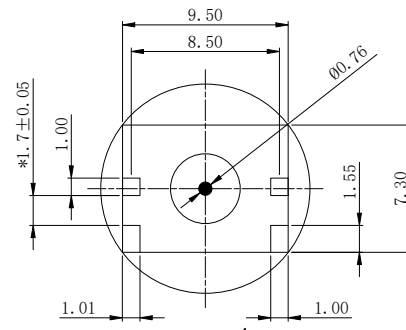
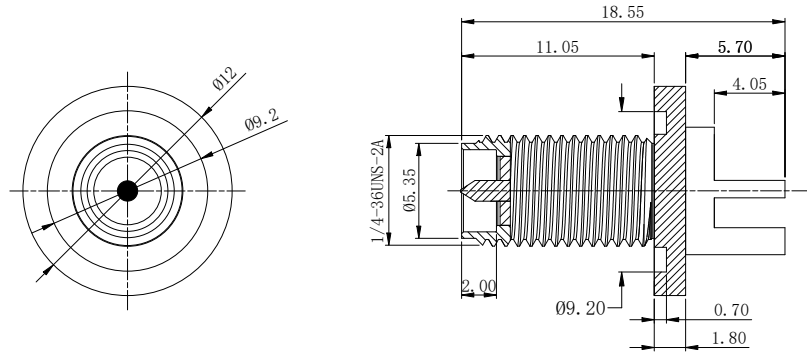
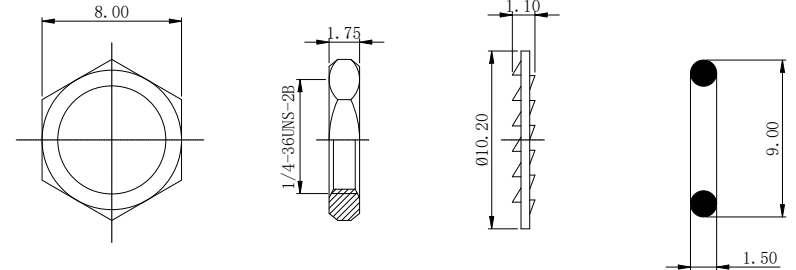




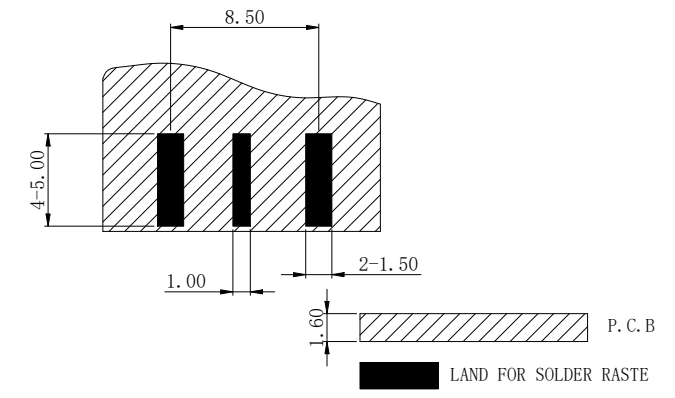
REV	DESCRIPTION	DWN	DATE	APPROVEN
R1.0	First issue	Gavin	2022/09/19	JIM.KING
R2.0	Waterproof ring size: 9 * 1.5mm	Gavin	2023/02/07	JIM.KING
R3.0	Add the assembly schematic diagram	Li	2026/01/31	Jason



Assembly drawing



Recommended hole opening size
(chassis board thickness: 1.2 ~ 3.0 mm)



P. C. B LAYOUT DIM

Specifications:
 IMPEDANCE: 50 Ohms
 Frequency range: 0~6GHZ
 VSWR: 1.5MAX
 Voltage Rating: 335 Volts RMS Continuous
 Dielectric withstand voltage: 1000 V
 Service life: ≥500
 Insulation Resistance ≥5000MΩ
 Center contact resistance: ≤3mΩ
 Outer contact resistance: ≤2mΩ
 Operation Temperature: -55℃ ~ +165℃
 Waterproof Range: IP67, Mated

NO	DESCRIPTION	MATERIAL	FINISH	QTY
6	NUT	BRASS	GOLD	1
5	WASHER	IRON	GOLD	1
4	O-RING	RUBBER	RED	1
3	CONTACT PIN	BRASS	GOLD	1
2	INSULATOR	PTFE	NINE	1
1	BOOY	BRASS	GOLD	1

-TOLERANCES- UNLESS OTHERWISE SPECIFIED	RENHOTEC GROUP				
	PART DESCRIPTION: WATER PROOF RP SMA JACK FOR PCB				
UNLESS OTHERWISE SPECIFIED TOLERANCES FOR MILLIMETERS ARE: 0.5 - 8mm ± 0.20mm 8 - 30mm ± 0.25mm 30 - 120mm ± 0.30mm	Appd:	P/N: RHT-612-0728			
	Check: Jason	Date	Scale	Unit	Type
	Draw: Li	2026.01.31	Free	MM	Z