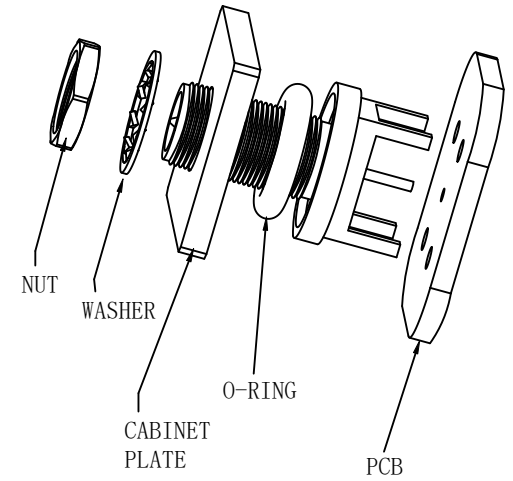
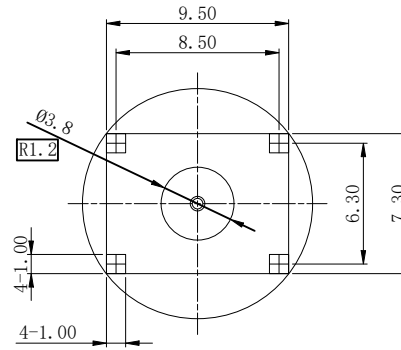
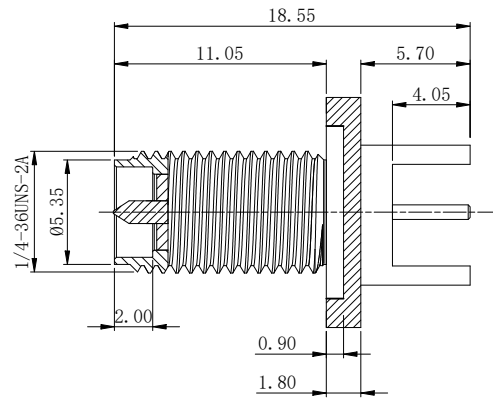
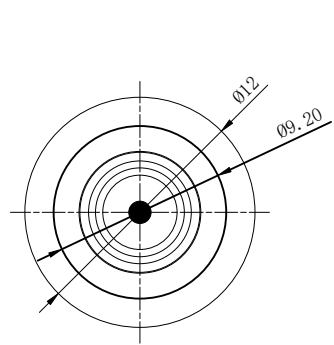
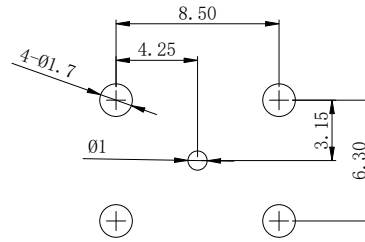
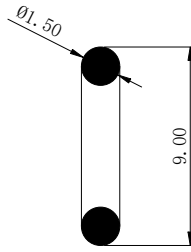
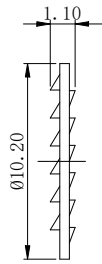
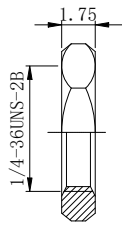
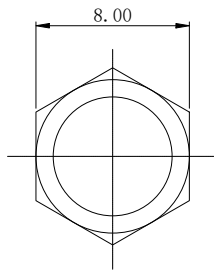




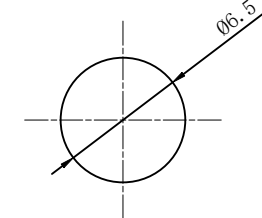
REV	DESCRIPTION	DWN	DATE	APPROVEN
R1.0	First issue	Gavin	2022/04/28	JIM.KING
R1.1	Add the assembly schematic diagram	Li	2026/01/27	Jason
R1.2	Dimensional Change	Li	2026/03/13	Jason



Assembly drawing



Recommended PCB hole size



Recommended hole opening size
(chassis board thickness: 1.2 ~ 3.0 mm)

Specifications:

IMPEDANCE: 50 Ohms
 Frequency range: 0~6GHZ
 VSWR: 1.5MAX
 Voltage Rating: 335 Volts RMS Continuous
 Dielectric withstand voltage: 1000 V
 Service life: ≥500
 Insulation Resistance ≥5000MΩ
 Center contact resistance: ≤3mΩ
 Outer contact resistance: ≤2mΩ
 Operation Temperature: -55°C ~ +165°C
 Waterproof Range: IP67, Mated

6	NUT	BRASS	GOLD	1
5	WASHER	IRON	GOLD	1
4	O-RING	RUBBER	RED	1
3	CONTACT PIN	BRASS	GOLD	1
2	INSULATOR	PTFE	NINE	1
1	BOOY	BRASS	GOLD	1
NO	DESCRIPTION	MATERIAL	FINISH	QTY

-TOLERANCES- UNLESS OTHERWISE SPECIFIED						
UNLESS OTHERWISE SPECIFIED TOLERANCES FOR MILLIMETERS ARE: 0.5 - 8mm ± 0.20mm 8 - 30mm ± 0.25mm 30 - 120mm ± 0.30mm		PART DESCRIPTION: WATER PROOF RP SMA JACK FOR PCB Appd: P/N: RHT-612-0703 Check: Jason Date Scale Unit Type Page Draw: Li 2026.03.13 Free MM Z 1/1				