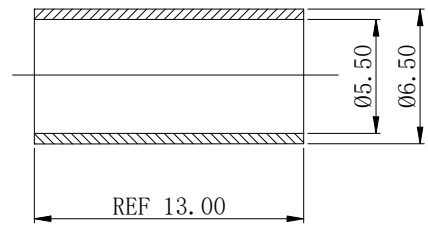
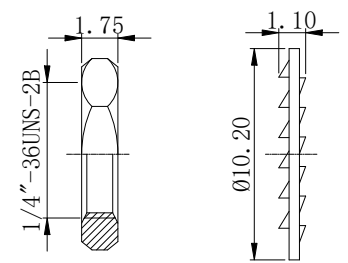
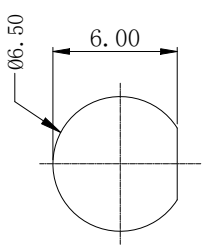
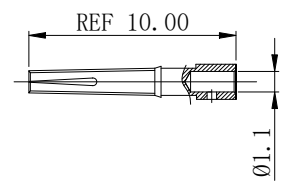
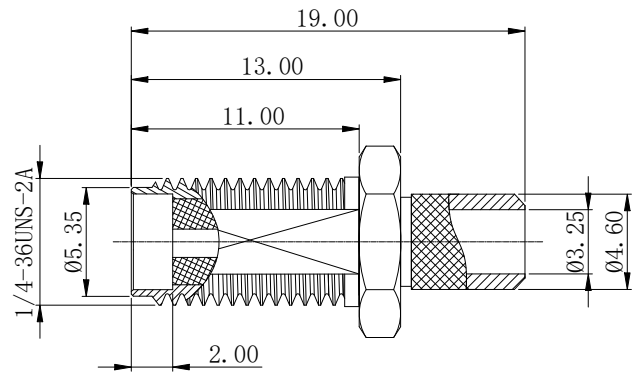
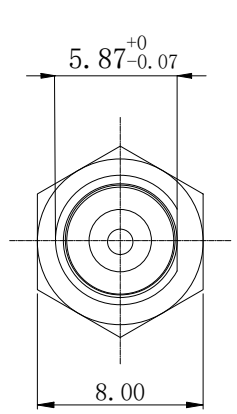




REV	DESCRIPTION	DWN	DATE	APPROVEN
R1.0	First issue	Gavin	2022/03/08	JIM.KING
R1.1	variation of parameters	Li	2026/02/04	Jason



Recommended hole opening size
(chassis board thickness: 1.2 ~ 3.0 mm)

Specifications:
 IMPEDANCE: 50 Ohms
 Frequency range: 0~6GHZ
 VSWR: 1.5MAX
 Voltage Rating: 335 Volts RMS Continuous
 Dielectric withstand voltage: 1000 V
 Service life: ≥500
 Insulation Resistance ≥5000MΩ
 Center contact resistance: ≤3mΩ
 Outer contact resistance : ≤2mΩ
 Operation Temperature: -55℃ ~ +165℃

6	Copper Pipe	Brass	Gold	1
5	NUT	Brass	Gold	1
4	Washer	Iron	NICKEL	1
3	Contact pin	Brass	Gold	1
2	Insulator	Ptfe	None	1
1	Booy	Brass	Gold	1
NO	DESCRIPTION	MATERIAL	FINISH	QTY

-TOLERANCES- UNLESS OTHERWISE SPECIFIED UNLESS OTHERWISE SPECIFIED TOLERANCES FOR MILLIMETERS ARE: 0.5 - 8mm ± 0.20mm 8 - 30mm ± 0.25mm 30 - 120mm ± 0.30mm	仁昊伟业 RENHOTEC GROUP		PART DESCRIPTION: SMA JACK FOR RG58 CABLE				
	Appd:		P/N: RHT-612-0694	Date	Scale	Unit	Type
Check: Jason	Draw: Li	2026.02.04	Free	MM	Z	1/1	