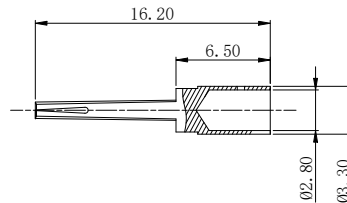
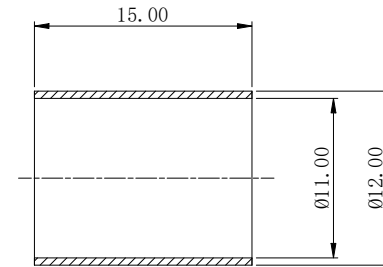
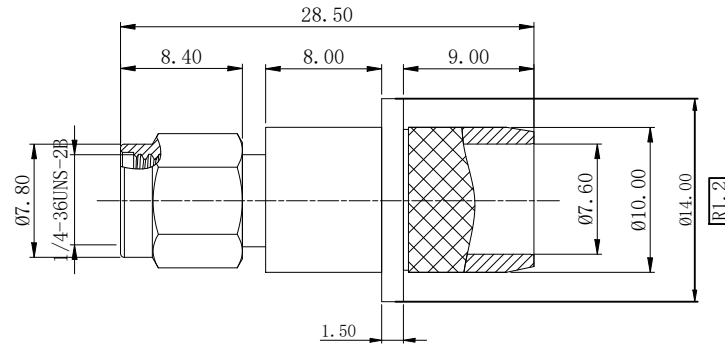
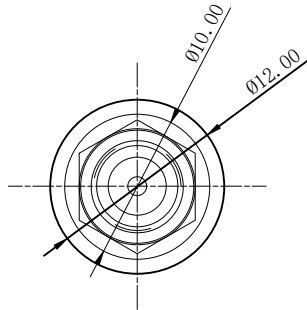


Recommended stripping size



REV	DESCRIPTION	DWN	DATE	APPROVEN
RI.0	First issue	Gavin	2022/03/08	JIM.KING
RI.1	variation of parameters	Li	2026/02/04	Jason
RI.2	Dimensional Change	Li	2026/03/13	Jason

**Specifications:**

IMPEDANCE: 50 Ohms  
 Frequency range: 0~6GHZ  
 VSWR: 1.5MAX  
 Voltage Rating: 335 Volts RMS Continuous  
 Dielectric withstand voltage: 1000 V  
 Service life: ≥500  
 Insulation Resistance ≥5000MΩ  
 Center contact resistance: ≤3mΩ  
 Outer contact resistance: ≤2mΩ  
 Operation Temperature: -55°C ~ +165°C

4	Copper pipe	BRASS	NICKEL	1
3	CONTACT PIN	BRASS	GOLD	1
2	INSULATOR	PTFE	NINE	1
1	BOOY	BRASS	NICKEL	1
NO	DESCRIPTION	MATERIAL	FINISH	QTY

-TOLERANCES- UNLESS OTHERWISE SPECIFIED	<b>RENHOTEC GROUP</b>		PART DESCRIPTION: RP SMA PLUG FOR LMR400 CABLE			
	Appd:		P/N: RHT-612-0692			
UNLESS OTHERWISE SPECIFIED TOLERANCES FOR MILLIMETERS ARE: 0.5 - 8mm ± 0.20mm 8 - 30mm ± 0.25mm 30 - 120mm ± 0.30mm	Check: Jason	Date	Scale	Unit	Type	Page
	Draw: Li	2026.03.13	Free	MM	Z	1/1