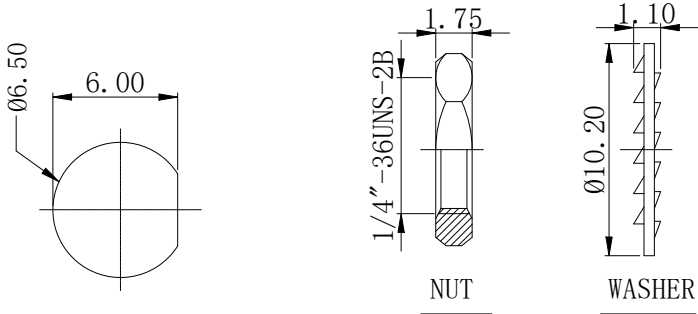
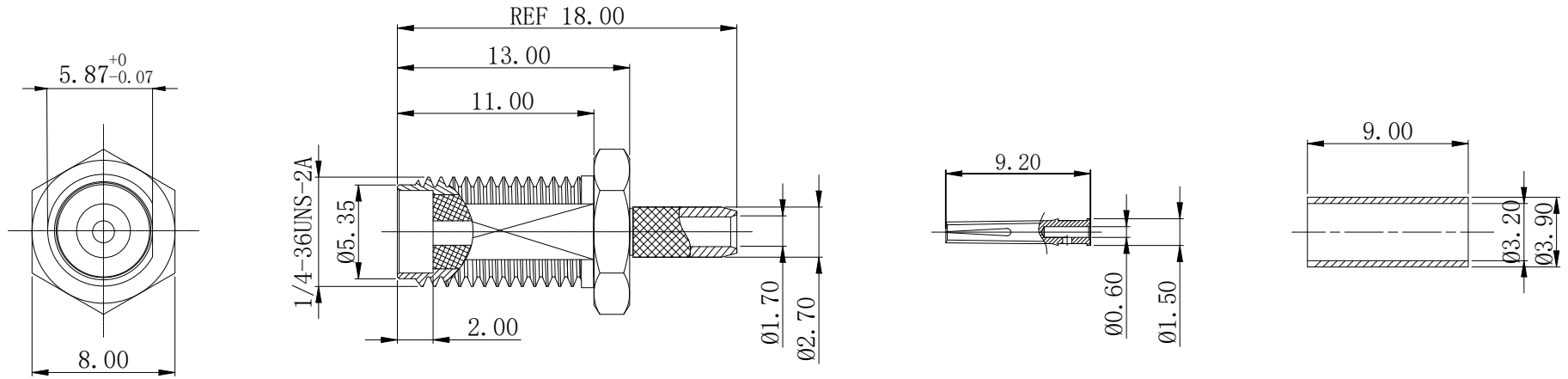




ISSUE	DESCRIPTION	DWN	DATE	APPROVEN
R1.0	First issue	Gavin	2021/01/09	JIM. KING
R1.1	variation of parameters	Li	2026/02/04	Jason



Recommended hole opening size
(chassis board thickness: 1.2 ~ 3.0 mm)

Specifications:
 IMPEDANCE: 50 Ohms
 Frequency range: 0~6GHZ
 VSWR: 1.5MAX
 Voltage Rating: 335 Volts RMS Continuous
 Dielectric withstand voltage: 1000 V
 Service life: ≥500
 Insulation Resistance ≥5000MΩ
 Center contact resistance: ≤3mΩ
 Outer contact resistance : ≤2mΩ
 Operation Temperature: -55°C ~ +165°C

6	Copper Pipe	Brass	Nickel	1
5	Nut	Brass	Gold	1
4	Washer	Iron	Gold	1
3	Center contact	Brass	Gold	1
2	Insulator	Ptfe	Nature	1
1	Body	Brass	Gold	1
NO	DESCRIPTION	MATERIAL	FINISH	QTY

-TOLERANCES-
UNLESS OTHERWISE
SPECIFIED

UNLESS OTHERWISE SPECIFIED
TOLERANCES FOR MILLIMETERS ARE:
 0.5 - 8mm ± 0.20mm
 8 - 30mm ± 0.25mm
 30 - 120mm ± 0.30mm

仁昊伟业 RENHOTEC GROUP

PART DESCRIPTION:
SMA JACK FOR RG316/174 CABLE

Appr: P/N: RHT-612-0646

Check: Jason Date: 2026.02.04 Scale: Free Unit: MM Type: Z Page: 1/1

Draw: Li