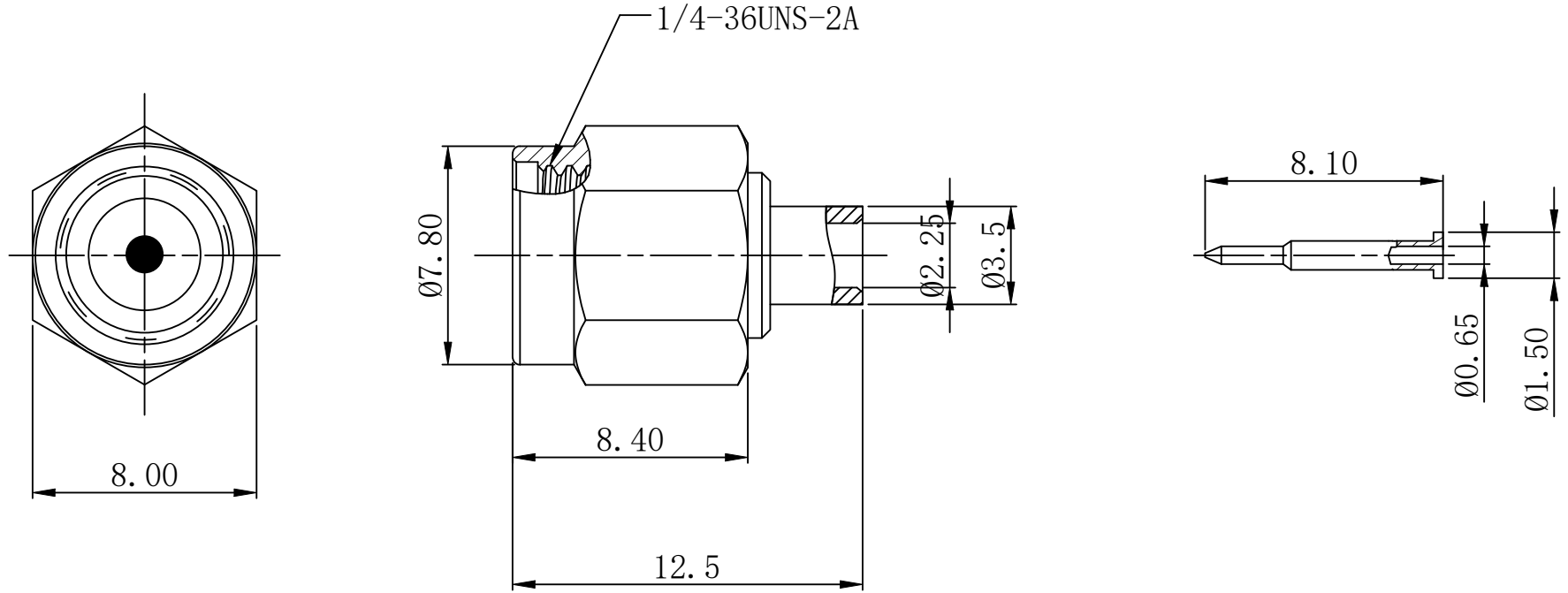




REV	DESCRIPTION	DWN	DATE	APPROVEN
R1.0	First issue	Gavin	2019/12/12	JIM. KING
R1.1	variation of parameters	Li	2026/02/04	Jason



Specifications:

IMPEDANCE: 50 Ohms
 Frequency range: 0~6GHZ
 VSWR: 1.5MAX
 Voltage Rating: 335 Volts RMS Continuous
 Dielectric withstand voltage: 1000 V
 Service life: ≥500
 Insulation Resistance ≥5000MΩ
 Center contact resistance: ≤3mΩ
 Outer contact resistance: ≤2mΩ
 Operation Temperature: -55℃ ~ +165℃

3	PIN	BRASS	GOLD	1
2	INSULATOR	PTFE	NONE	1
1	BODY	BRASS	GOLD	1
NO	DESCRIPTION	MATERIAL	FINISH	QTY

-TOLERANCES- UNLESS OTHERWISE SPECIFIED UNLESS OTHERWISE SPECIFIED TOLERANCES FOR MILLIMETERS ARE: 0.5 - 8mm ± 0.15mm 8 - 30mm ± 0.25mm 30 - 120mm ± 0.30mm	RENHOTEC GROUP				
	Appd:		PART DESCRIPTION: SMA PLUG FOR RG405 CABLE		
Check: Jason	Date: 2026.02.04	P/N: RHT-612-0601	Scale: Free	Unit: MM	Type: Z
Draw: Li	Date: 2026.02.04	Scale: Free	Unit: MM	Type: Z	Page: 1/1