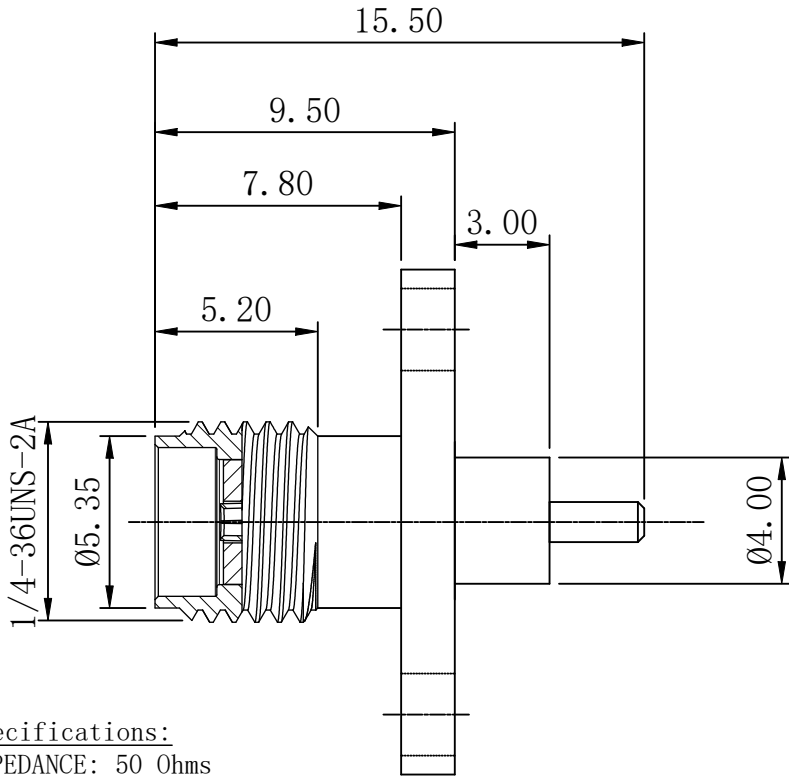


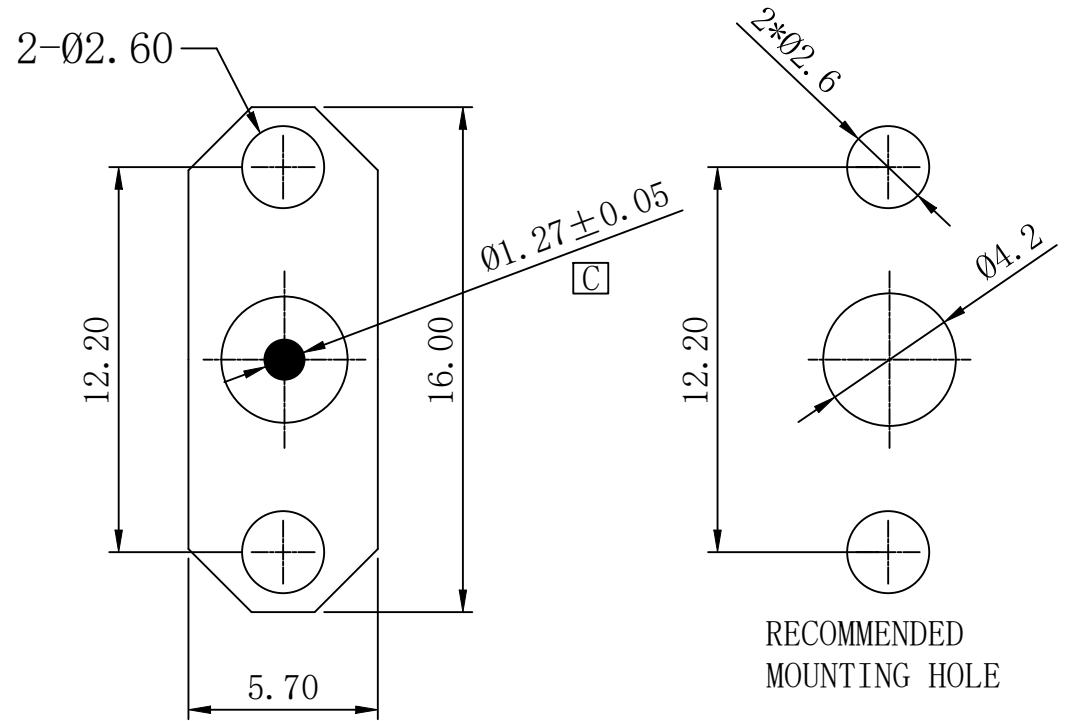


REV	DESCRIPTION	DWN	DATE	APPROVEN
A	First issue	Gavin	2019/08/26	JIM. KING
B	Increase the board opening size	Li	2026/01/22	Jason
C	Dimensional Change	Li	2026/03/13	Jason



Specifications:

IMPEDANCE: 50 Ohms
 Frequency range: 0~6GHZ
 VSWR: 1.3MAX
 Voltage Rating: 335 Volts RMS Continuous
 Dielectric withstand voltage: 1000 V
 Service life: ≥500
 Insulation Resistance ≥5000MΩ
 Center contact resistance: ≤3mΩ
 Outer contact resistance: ≤2mΩ
 Operation Temperature: -55℃ ~ +165℃



RECOMMENDED MOUNTING HOLE

NO	DESCRIPTION	MATERIAL	FINISH	QTY
3	PIN	BRASS	GOLD	1
2	INSULATOR	PTFE	NONE	1
1	BODY	BRASS	GOLD	1

-TOLERANCES- UNLESS OTHERWISE SPECIFIED UNLESS OTHERWISE SPECIFIED TOLERANCES FOR MILLIMETERS ARE: 0.5 - 8mm ± 0.10mm 8 - 30mm ± 0.15mm 30 - 120mm ± 0.20mm	RENHOTEC GROUP			
	PART DESCRIPTION: SMA 2-hole Flange Mount Jack Receptacle			
Appd:	P/N: RHT-612-0585			
Check: Jason	Date	Scale	Unit	Type
Draw: Li	2026.03.13	Free	MM	Z
				Page
				1/1