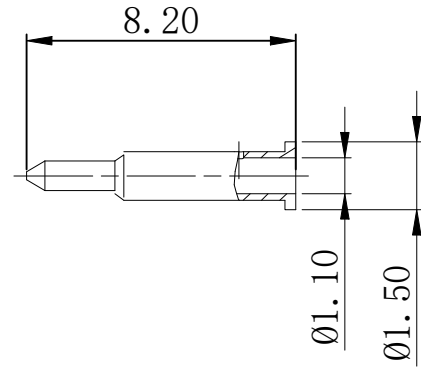
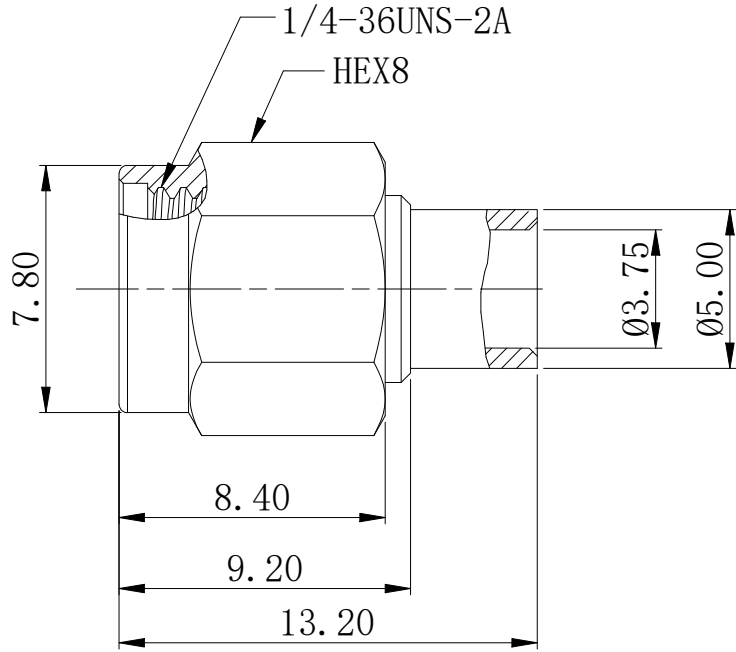




REV	DESCRIPTION	DWN	DATE	APPROVEN
A	First issue	Gavin	2019/07/24	JIM. KING
B	First issue	Gavin	2021/08/15	JIM. KING
C	PIN size change	Li	2026/01/29	Jason



Specifications:

IMPEDANCE: 50 Ohms  
 Frequency range: 0~6GHZ  
 VSWR: 1.5MAX  
 Voltage Rating: 335 Volts RMS Continuous  
 Dielectric withstand voltage: 1000 V  
 Service life: ≥500  
 Insulation Resistance ≥5000MΩ  
 Center contact resistance: ≤3mΩ  
 Outer contact resistance : ≤2mΩ  
 Operation Temperature: -55℃ ~ +165℃

NO	DESCRIPTION	MATERIAL	FINISH	QTY
3	PIN	BRASS	GOLD	1
2	DIELECTRIC	PTFE	WHITE	1
1	BODY	BRASS	GOLD	1

-TOLERANCES- UNLESS OTHERWISE SPECIFIED  UNLESS OTHERWISE SPECIFIED TOLERANCES FOR MILLIMETERS ARE: 0.5 - 8mm ± 0.15mm 8 - 30mm ± 0.25mm 30 -120mm ± 0.30mm	<b>RENHOTEC GROUP</b>			
	PART DESCRIPTION: SMA PLUG FOR RG402 CABLE			
Appd:	P/N: RHT-612-0569			
Check: Jason	Date	Scale	Unit	Type
Draw: Li	2026.01.29	Free	MM	Z
				Page 1/1