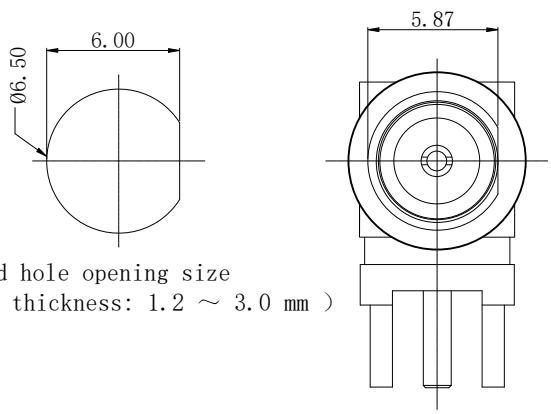
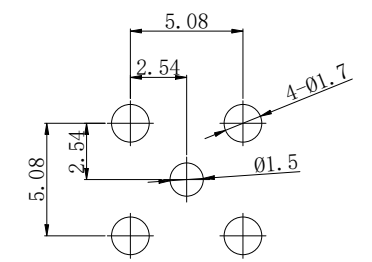
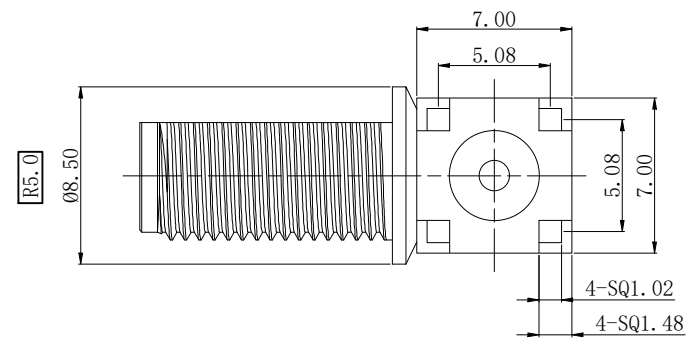
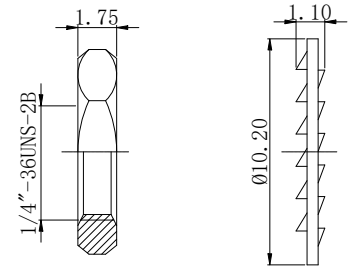
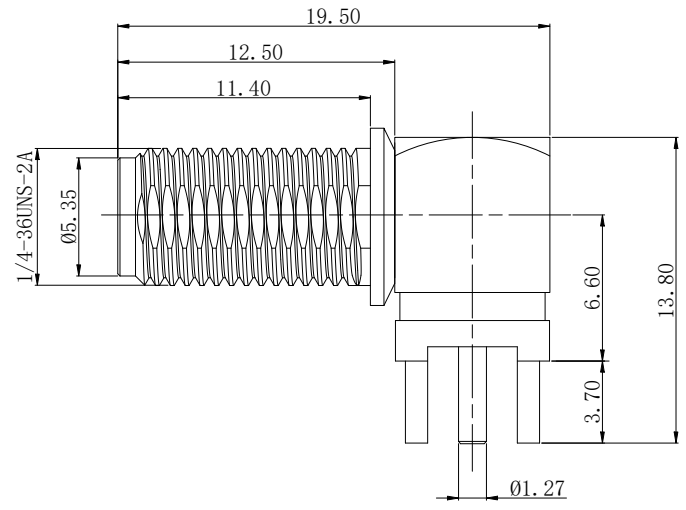




REV	DESCRIPTION	DWN	DATE	APPROVEN
R1.0	First issue	Gavin	2019/04/04	JIM. KING
R2.0	Round baffle size changed 8.5MM	Gavin	2023/02/06	JIM. KING
R3.0	Circular baffle size: Ø8mm	Gavin	2023/02/10	JIM. KING
R4.0	variation of parameters	Li	2026/02/04	Jason
R5.0	Dimensional Change	Li	2026/03/13	Jason



Recommended hole opening size
(chassis board thickness: 1.2 ~ 3.0 mm)



Recommended
PCB opening size

Specifications:
 IMPEDANCE: 50 Ohms
 Frequency range: 0~6GHZ
 VSWR: 1.5MAX
 Voltage Rating: 335 Volts RMS Continuous
 Dielectric withstand voltage: 1000 V
 Service life: ≥500
 Insulation Resistance ≥5000MΩ
 Center contact resistance: ≤3mΩ
 Outer contact resistance: ≤2mΩ
 Operation Temperature: -55℃ ~ +165℃

NO	DESCRIPTION	MATERIAL	FINISH	QTY
5	Nut	Brass	Gold	1
4	Gasket	Brass	Gold	1
3	Pin	Brass	Gold	1
2	Insukator	PTFE	White	1
1	Body	Brass	Gold	1

-TOLERANCES- UNLESS OTHERWISE SPECIFIED		RENHOTEC GROUP	
		PART DESCRIPTION: SMA JACK CONNECTOR	
Appd:		P/N: RHT-612-0500	
UNLESS OTHERWISE SPECIFIED TOLERANCES FOR MILLIMETERS ARE: 0.5 - 8mm ± 0.20mm 8 - 30mm ± 0.25mm 30 - 120mm ± 0.30mm		Check: Jason	Date: 2026.03.13
Draw: Li		Scale: Free	Unit: MM
		Type: Z	Page: 1/1