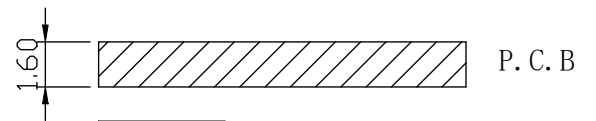
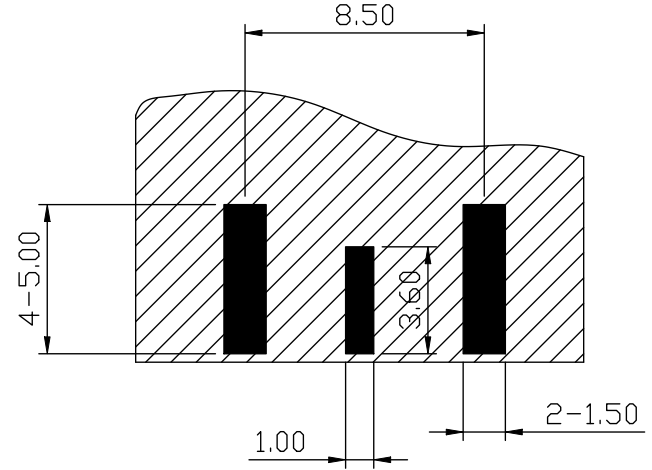
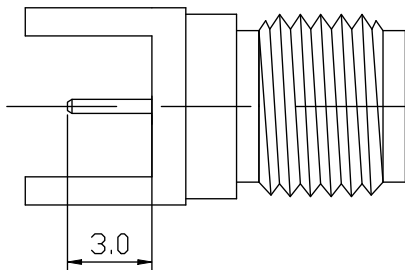
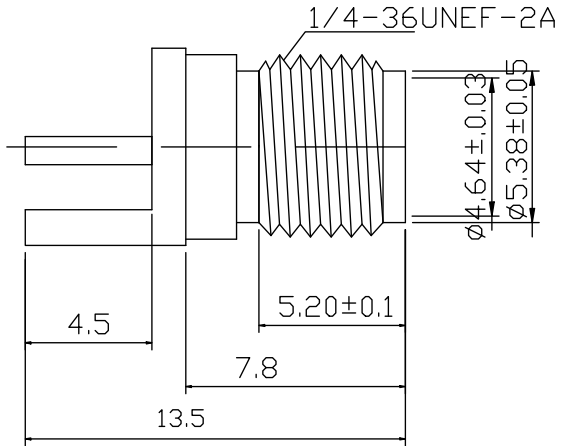
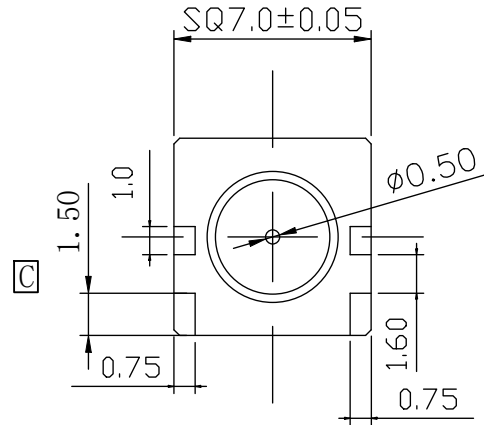




ISSUE	DESCRIPTION	DWN	DATE	APPROVEN
A	First issue	Gavin	2018/04/24	JIM. KING
B	variation of parameters	Li	2026/02/04	Jason
C	Dimensional Change	Li	2026/03/13	Jason



LAND FOR SOLDER RASTE

P. C. B LAYOUT DIM

**Specifications:**

- IMPEDANCE: 50 Ohms
- Frequency range: 0~6GHZ
- VSWR: 1.3MAX
- Voltage Rating: 335 Volts RMS Continuous
- Dielectric withstand voltage: 1000 V
- Service life: ≥500
- Insulation Resistance ≥5000MΩ
- Center contact resistance: ≤3mΩ
- Outer contact resistance: ≤2mΩ
- Operation Temperature: -55℃ ~ +165℃

NO	DESCRIPTION	MATERIAL	FINISH	QTY
3	Center contact	BRASS	Gold	1
2	INSULATOR	TEFLON	WHITE	1
1	BODY	BRASS	Gold	1

-TOLERANCES- UNLESS OTHERWISE SPECIFIED  UNLESS OTHERWISE SPECIFIED TOLERANCES FOR MILLIMETERS ARE: 0.5 - 8mm ± 0.10mm 8 - 30mm ± 0.15mm 30 - 120mm ± 0.20mm	<b>RENHOTEC GROUP</b>			
		PART DESCRIPTION: SMA JACK PCB MOUNT		
Appd:	P/N: RHT-612-0460			
Check: Jason	Date	Scale	Unit	Type
Draw: Li	2026.02.04	Free	MM	Z
				Page 1/1