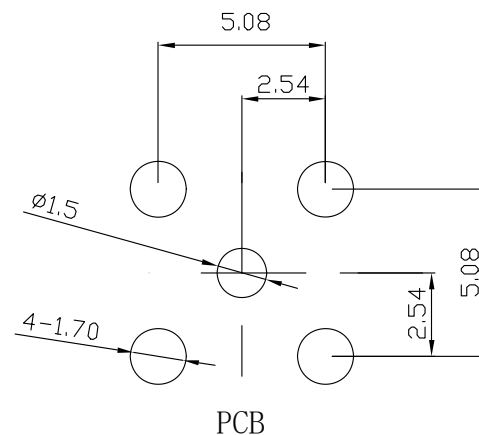
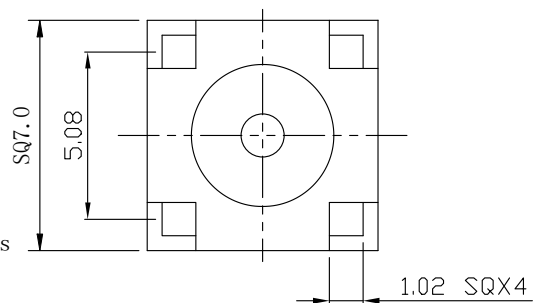
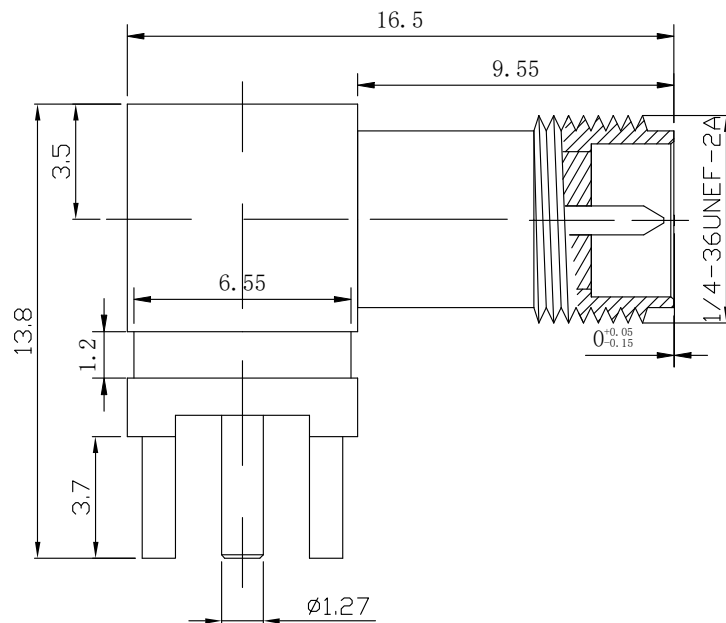




REV	DESCRIPTION	DWN	DATE	APPROVEN
A	First issue	Gavin	2019/06/19	JIM. KING
B	Center pin material Brass AU:2u"	Gavin	2021/04/10	JIM. KING
C	variation of parameters	Li	2026/02/04	Jason



Specifications:
 IMPEDANCE: 50 Ohms
 Frequency range: 0~6GHZ
 VSWR: 1.3MAX
 Voltage Rating: 335 Volts RMS Continuous
 Dielectric withstand voltage: 1000 V
 Service life: ≥500
 Insulation Resistance ≥5000MΩ
 Center contact resistance: ≤3mΩ
 Outer contact resistance: ≤2mΩ
 Operation Temperature: -55℃ ~ +165℃

NO	DESCRIPTION	MATERIAL	FINISH	QTY
3	CENTER PIN	BRASS	Gold	1
2	INSULATOR	TEFLON	NONE	1
1	BODY	BRASS	Gold	1

-TOLERANCES- UNLESS OTHERWISE SPECIFIED	RENHOTEC GROUP				
	PART DESCRIPTION: RP SMA Jack Right angle PCB Mount				
UNLESS OTHERWISE SPECIFIED TOLERANCES FOR MILLIMETERS ARE: 0.5 - 8mm ± 0.20mm 8 - 30mm ± 0.25mm 30 - 120mm ± 0.30mm	Appd:	P/N: RHT-612-0003			
	Check: Jason	Date	Scale	Unit	Type Page
	Draw: Li	2026.02.04	Free	MM	Z 1/1