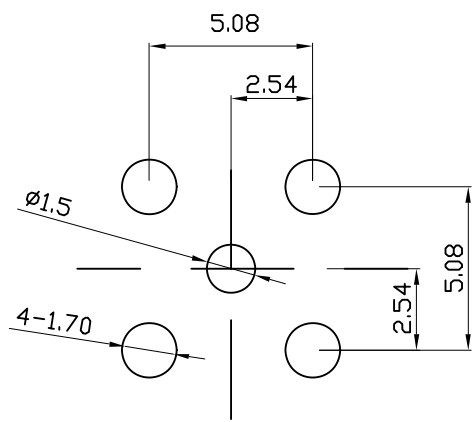
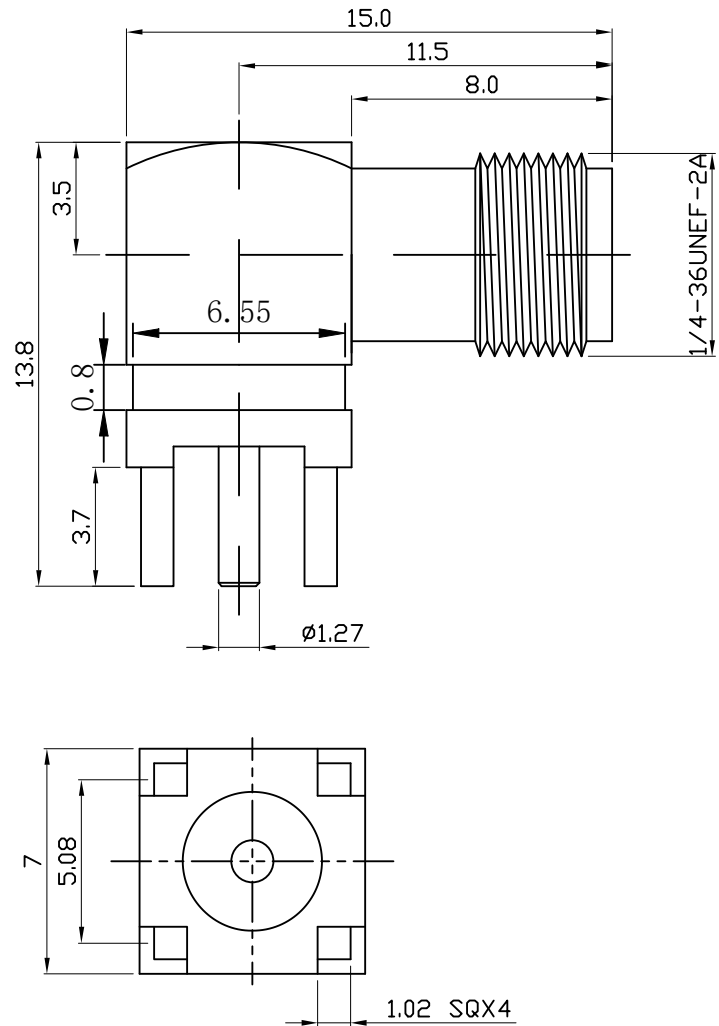




REV	DESCRIPTION	DWN	DATE	APPROVEN
A	First issue	Mr. Wang	2016/03/02	John kine
B	variation of parameters	Li	2026/02/04	Jason



Specifications:
 IMPEDANCE: 50 Ohms
 Frequency range: 0~6GHZ
 VSWR: 1.5MAX
 Voltage Rating: 335 Volts RMS Continuous
 Dielectric withstand voltage: 1000 V
 Service life: ≥500
 Insulation Resistance ≥5000MΩ
 Center contact resistance: ≤3mΩ
 Outer contact resistance: ≤2mΩ
 Operation Temperature: -55°C ~ +165°C

3	Body	Brass	Gold
2	Insulator	TEFLON	White
1	Center contact	Phosphor	Gold
NO	Component Number	Material	Finish

-TOLERANCES- UNLESS OTHERWISE SPECIFIED					
	PART DESCRIPTION: SMA Jack Right angle PCB Mount				
UNLESS OTHERWISE SPECIFIED TOLERANCES FOR MILLIMETERS ARE: 0.5 - 6mm ± 0.10mm 6 - 30mm ± 0.20mm 30 - 120mm ± 0.30mm	Appr:	P/N: RHT-612-0001			
	Check: Jason	Date: 2026.02.04	Scale: 1:1	Unit: MM	Rev: B Page: 1/1
	Draw: Li				