

HVIL 23A Series



产品参数 Product Parameters

额定电压	Rated Voltage	960V AC/1000V DC
额定电流	Rated Current	From 16A to 23A MAX
耐电压	Withstand Voltage	3500V AC
绝缘电阻	Insulation Resistance	≥500MΩ
线径范围	Cable Gauge	2.5-4mm ²
接线方式	Connection Type	Terminal machine
插拔次数	Mating Cycles	>100
屏蔽	Shielding	360
防护等级	IP Degree	IP67 IP6K9K(Mated)
工作温度	Operating Temperature	-40°C~125°C
盐雾测试	Salt Spray	MAX 96h
防火等级	Flammability Rating	UL94 V-0
高压互锁	HVIL	Integrated inside
芯数	Positions	2/3pin
外壳	Shell	PA66
端子	Contacts	Cooper alloy, Silver plating
项圈	Sealing	Rubber

订货号 Order P/N

Series	Pin	S(Socket) P(Plug)	Key	Color	Wire Specification	Cable length(M)
HVIL23	2	S	A	O	-C02 (2.5mm ²)	Customized
	3	P	Y		-C04 (4mm ²)	





Notes:

Color: O-orange

Example P/N: HVIL23-2S-AO-C02-2M

HVIL connector 23A 2pin socket contact 2.5mm² wire 4m, A key orange

产品尺寸 HVIL23 Dimensions

Picture 图片	Drawing 图纸	Panel Hole Dimension 推荐面板开孔尺寸
		<p>4-M4盲孔, 4-M4 blind hole</p> <p>安装尺寸 Installation dimension</p>
		<p>4-M4盲孔, 4-M4 blind hole</p> <p>安装尺寸 Installation dimension</p>
		<p>4-M4盲孔, 4-M4 blind hole</p> <p>安装尺寸 Installation dimension</p>
		<p>4-M4盲孔, 4-M4 blind hole</p> <p>安装尺寸 Installation dimension</p>

HVIL 35A Series



产品参数 Product Parameters

额定电压	Rated Voltage	960V AC/1000V DC
额定电流	Rated Current	From 16A to 35A MAX
耐电压	Withstand Voltage	3500V AC
绝缘电阻	Insulation Resistance	≥500MΩ
线径范围	Cable Gauge	2.5-6mm ²
接线方式	Connection Type	Terminal machine
插拔次数	Mating Cycles	>100
屏蔽	Shield Ding	360
防护等级	IP Degree	IP67 IP6K9K(Mated)
工作温度	Operating Temperature	-40°C~125°C
盐雾测试	Salt Spray	MAX 96h
防火等级	Flammability Rating	UL94 V-0
高压互锁	HVIL	Intergrated inside
芯数	Positions	2/3pin
外壳	Shell	Zinc alloy
端子	Contacts	Cooper alloy,Silver plating
项圈	Sealing	Rubber

订货号 Order P/N

Series	Pin	S(Socket) P(Plug)	Key	Color	Wire Specification	Cable length(M)
HVIL35	2	S	A	B	-C02 (2.5mm ²)	Customized
	3	P	Y		-C04 (4mm ²) -C06 (6mm ²)	


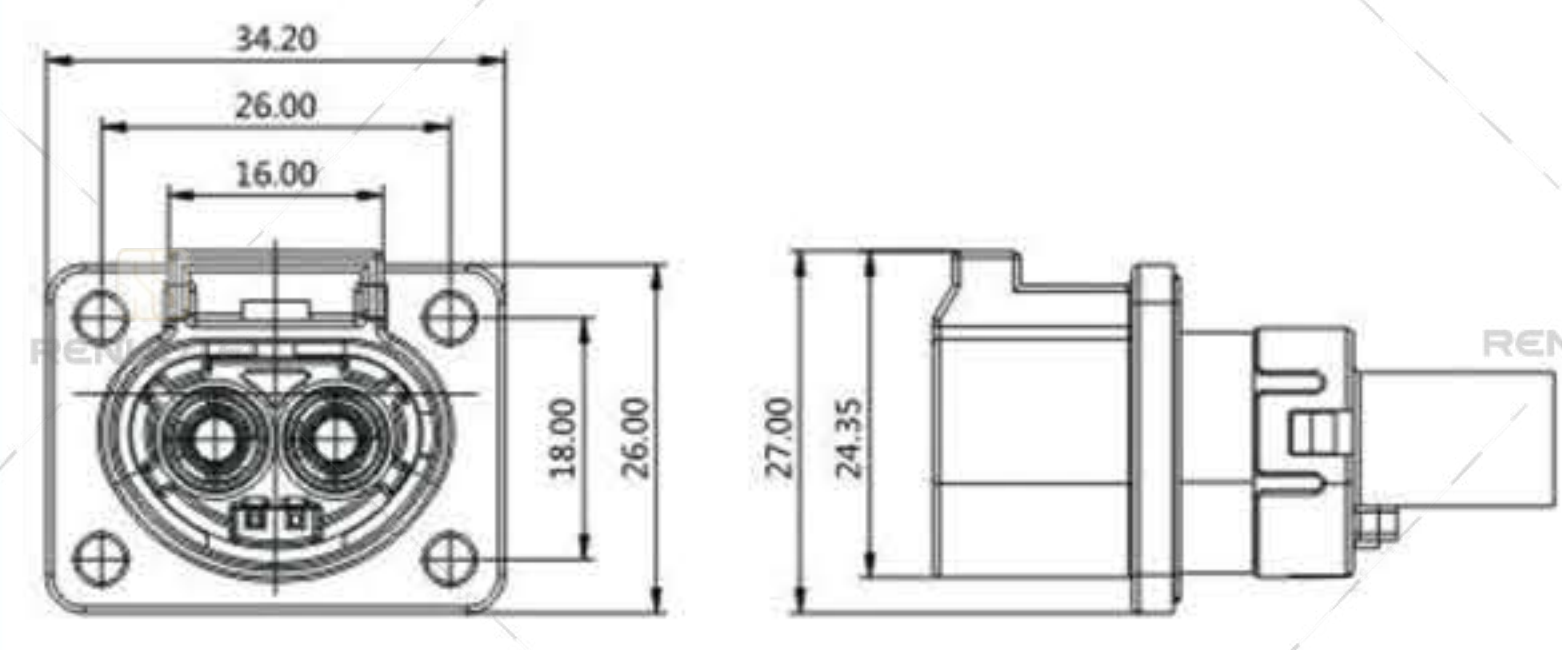
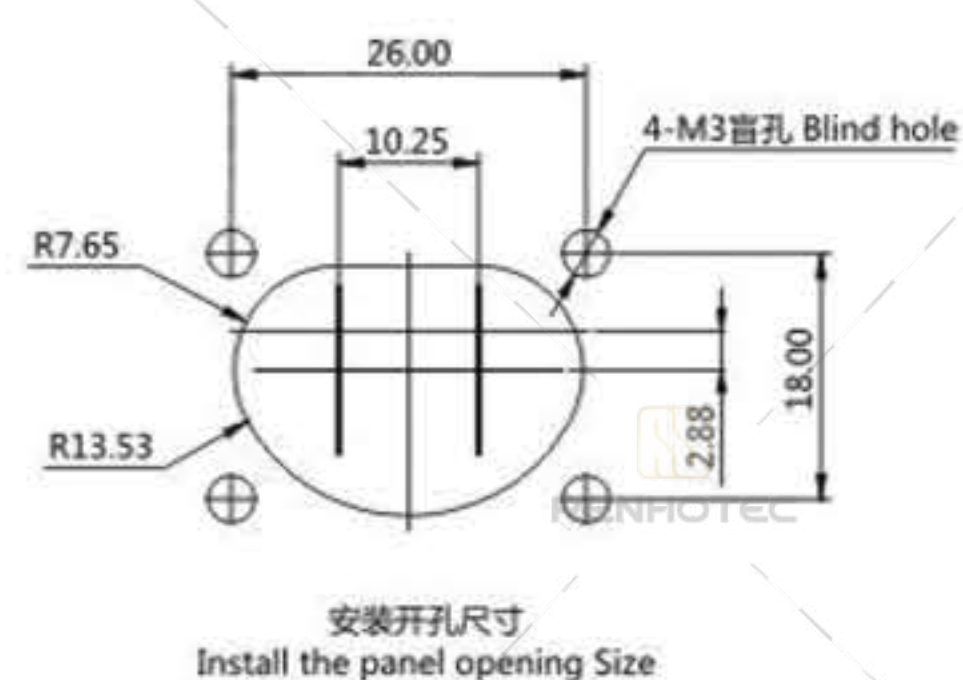

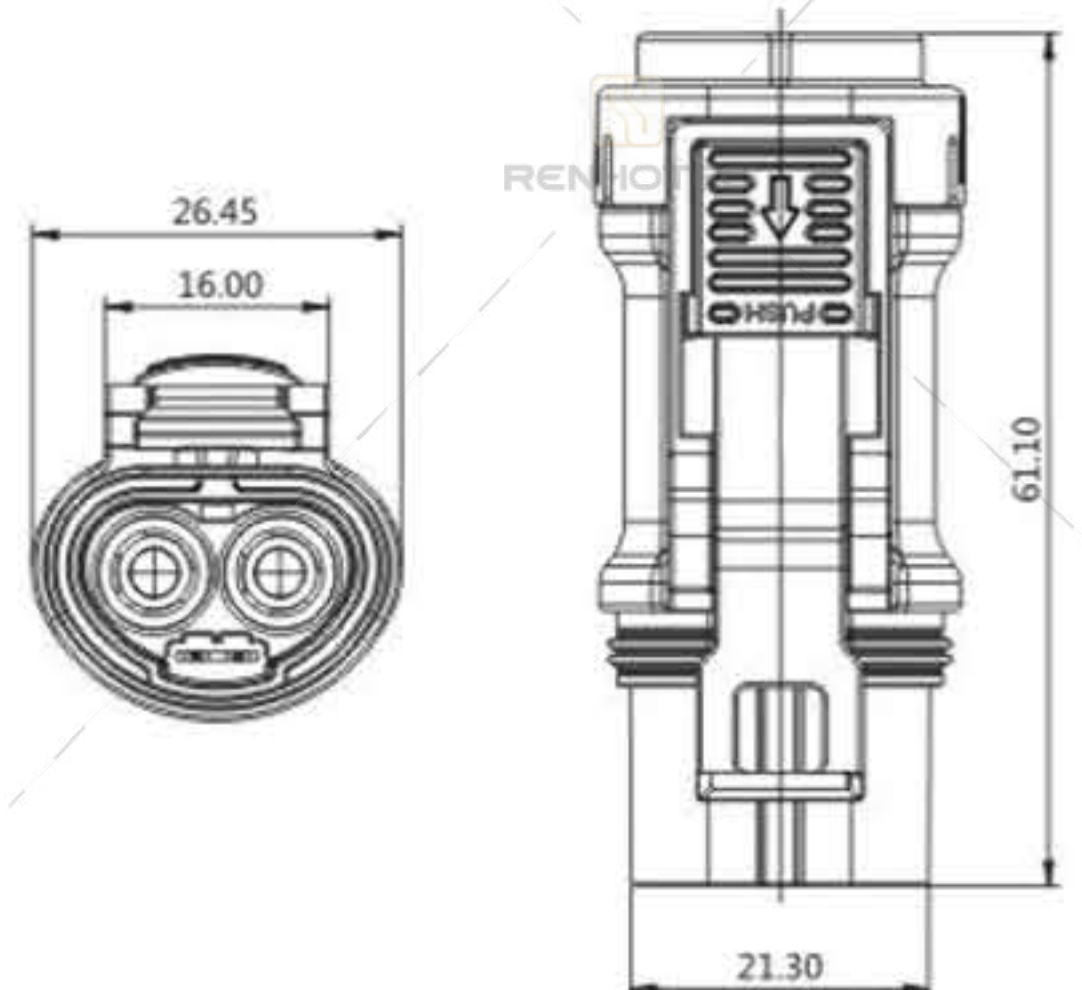

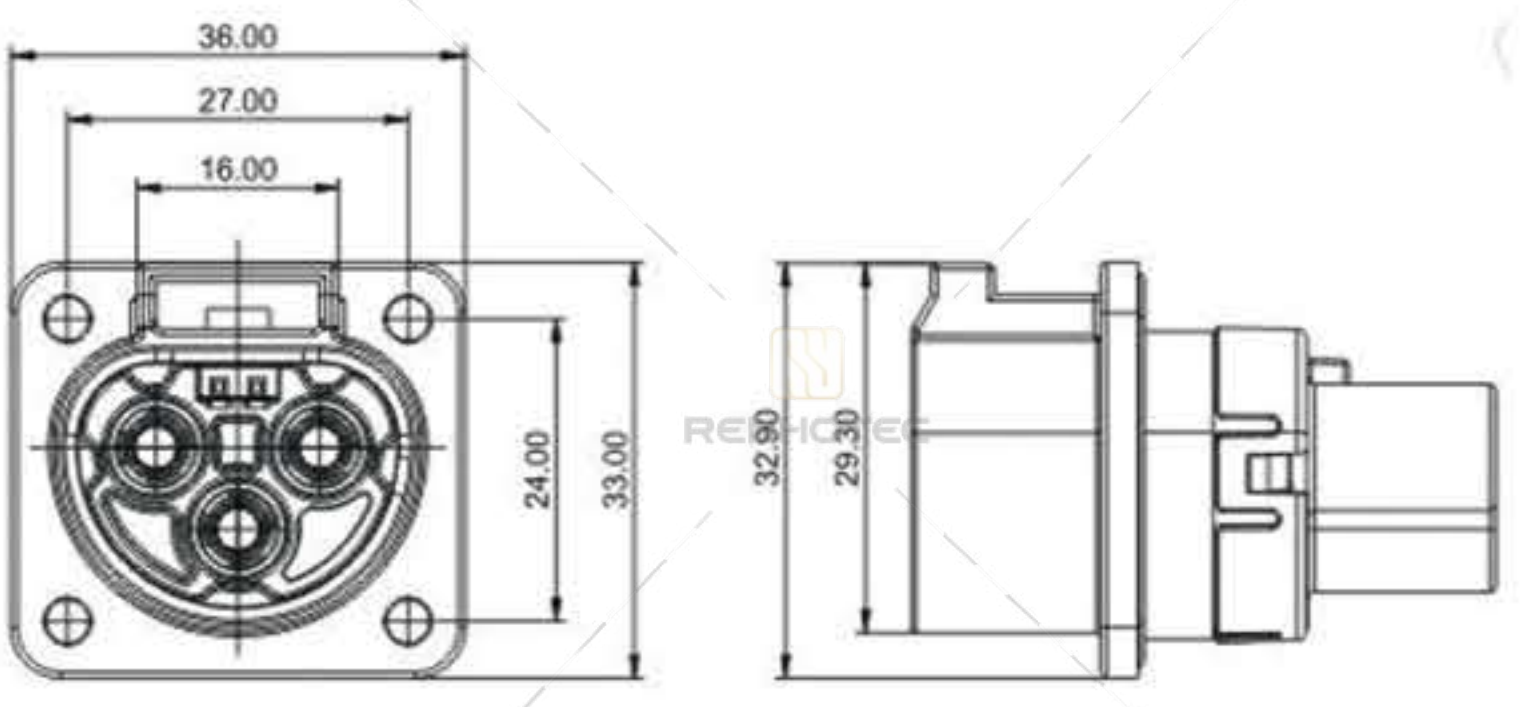

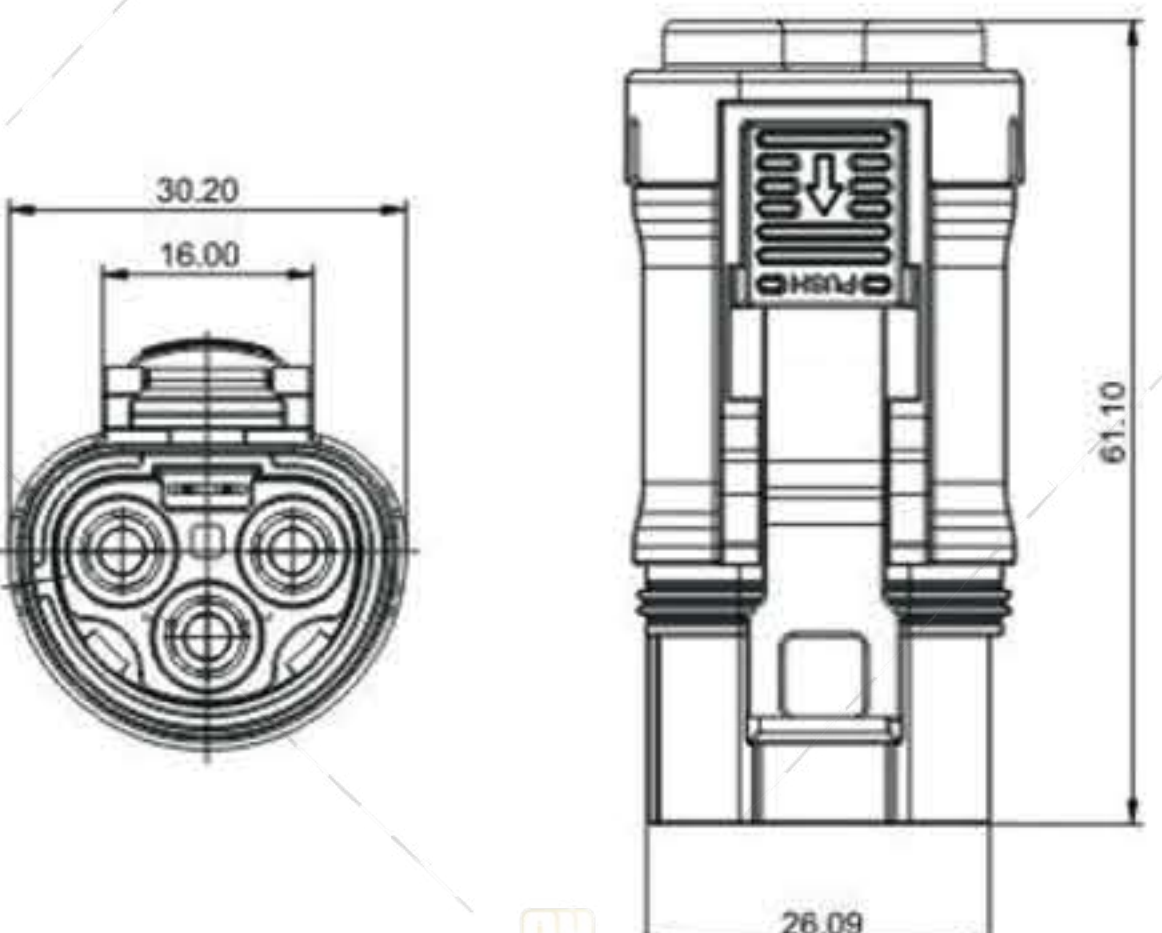
Notes:

Color: B-black

Example P/N: HVIL35-3S-AB-C04-2M

HVIL connector 35A 3pin socket contact 4mm² wire 2m,A key black

产品尺寸 HVIL35 Dimensions

Picture 图片	Drawing 图纸	Panel Hole Dimension 推荐面板开孔尺寸
		 <p>安装开孔尺寸 Install the panel opening Size</p>
		
		
		

HVIL 50A Series



产品参数 Product Parameters

额定电压	Rated Voltage	960V AC/1000V DC
额定电流	Rated Current	From 16A to 50A MAX
耐电压	Withstand Voltage	3500V AC
绝缘电阻	Insulation Resistance	≥500MΩ
线径范围	Cable Gauge	2.5-10mm ²
接线方式	Connection Type	Terminal machine
插拔次数	Mating Cycles	>100
屏蔽	Shield Ding	360
防护等级	IP Degree	IP67 IP6K9K(Mated)
工作温度	Operating Temperature	-40°C~125°C
盐雾测试	Salt Spray	MAX 96h
防火等级	Flammability Rating	UL94 V-0
高压互锁	HVIL	Intergrated Inside
芯数	Positions	2pin
外壳	Shell	PA66
端子	Contacts	Cooper alloy, Silver plating
项圈	Sealing	Rubber

订货号 Order P/N

Series	Pin	S(Socket) P(Plug)	Key	Color	Wire Specification	Cable length(M)
HVIL50	2	S	A	O	-C02 (2.5mm ²) -C04 (4mm ²) -C06 (6mm ²) -C10 (10mm ²)	Customized
		P	Y			



Notes:

Color: O-orange

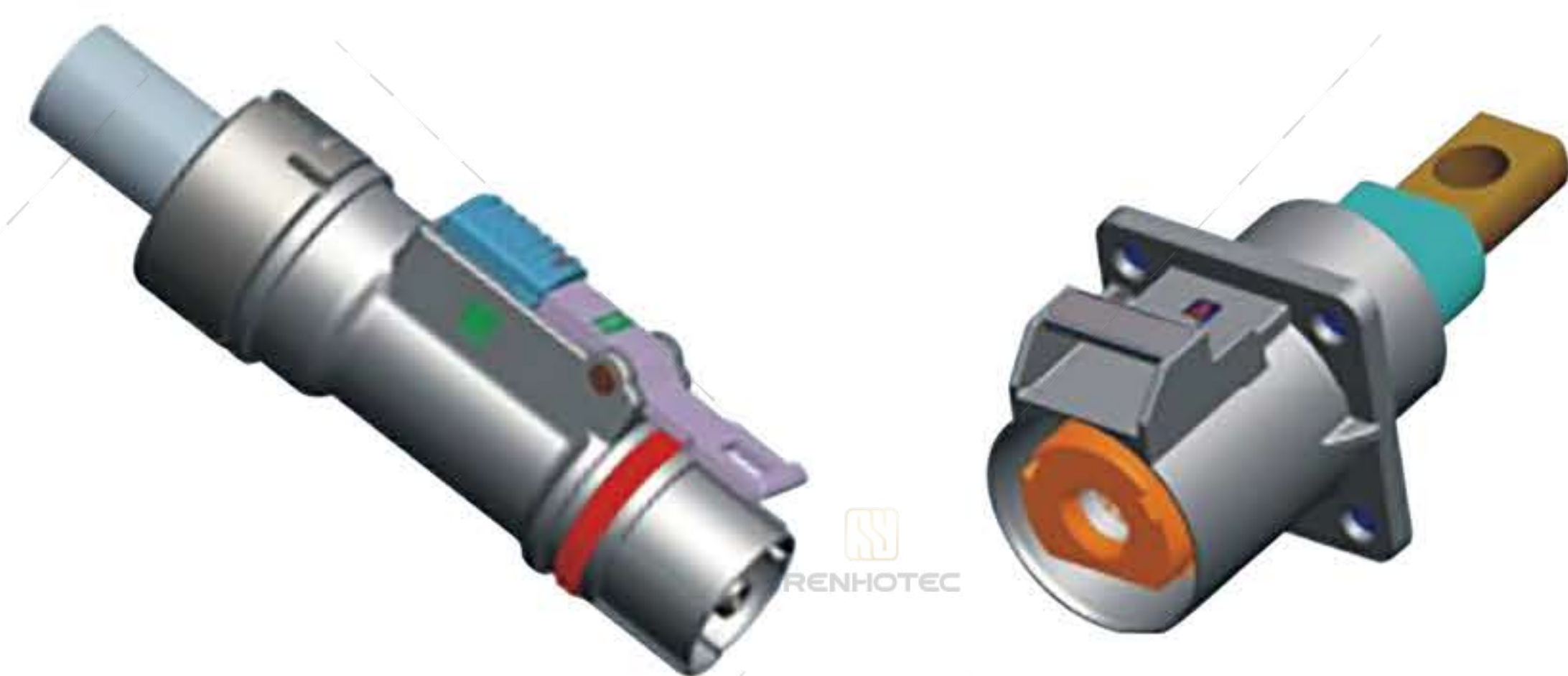
Example P/N: HVIL50-2P-AO-C10-5M

HVIL connector 50A 2pin plug contact 10mm² wire 5m, A key orange

产品尺寸 HVIL50 Dimensions

Picture 图片	Drawing 图纸	Panel Hole Dimension 推荐面板开孔尺寸
		<p>安装尺寸 Installation dimension</p>
		

HVIL 125A Series



产品参数 Product Parameters

额定电压	Rated Voltage	960V AC/1000V DC
额定电流	Rated Current	125A MAX
耐电压	Withstand Voltage	3500V AC
绝缘电阻	Insulation Resistance	≥500MΩ
线径范围	Cable Gauge	25mm ²
接线方式	Connection Type	Terminal machine
插拔次数	Mating Cycles	>100
屏蔽	Shield Ding	360
防护等级	IP Degree	IP67 IP6K9K(Mated)
工作温度	Operating Temperature	-40°C~125°C
盐雾测试	Salt Spray	MAX 96h
防火等级	Flammability Rating	UL94 V-0
高压互锁	HVIL	Intergrated inside
芯数	Positions	1pin
外壳	Shell	PA66/Zinc alloy
端子	Contacts	Cooper alloy,Silver plating
项圈	Sealing	Rubber

订货号 Order P/N

Series	S(Straight) R(Right angle)	Pin	S(Socket) P(Plug)	Key	Color	Wire Specification
HVIL125	S	1	S	A	O	-T6(6.5mm Though-Hole for socket)
	R		P	Y	B	-M6(M6 Screw for socket) -C16(16mm ² for plug) -C25 (25mm ² for plug)

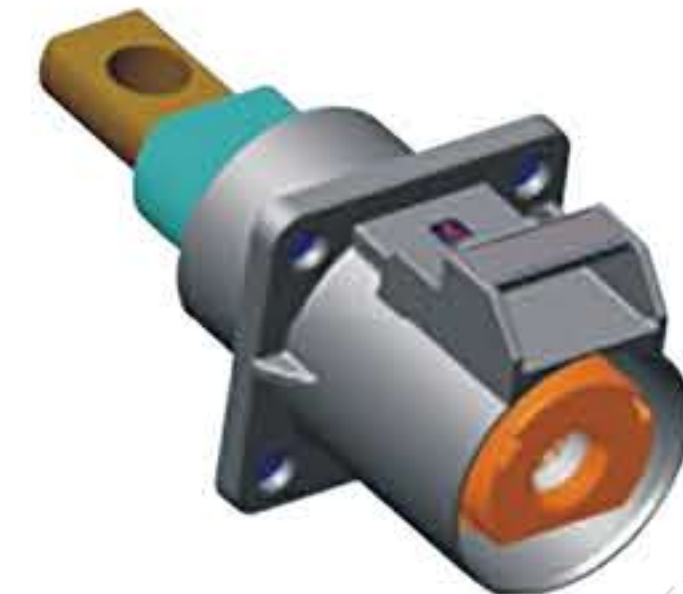
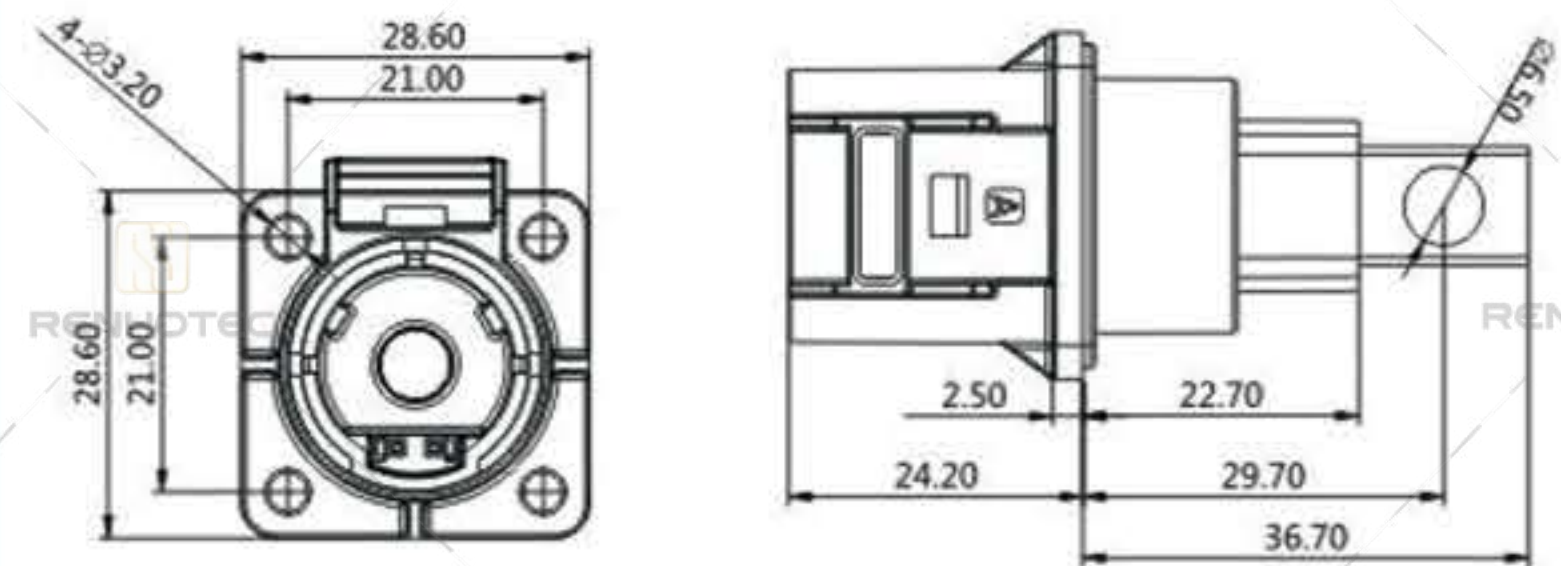
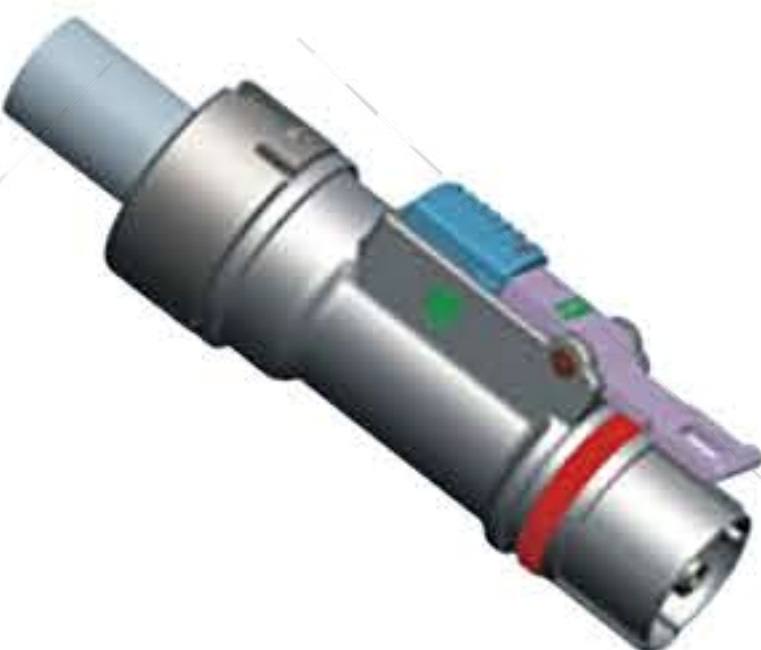
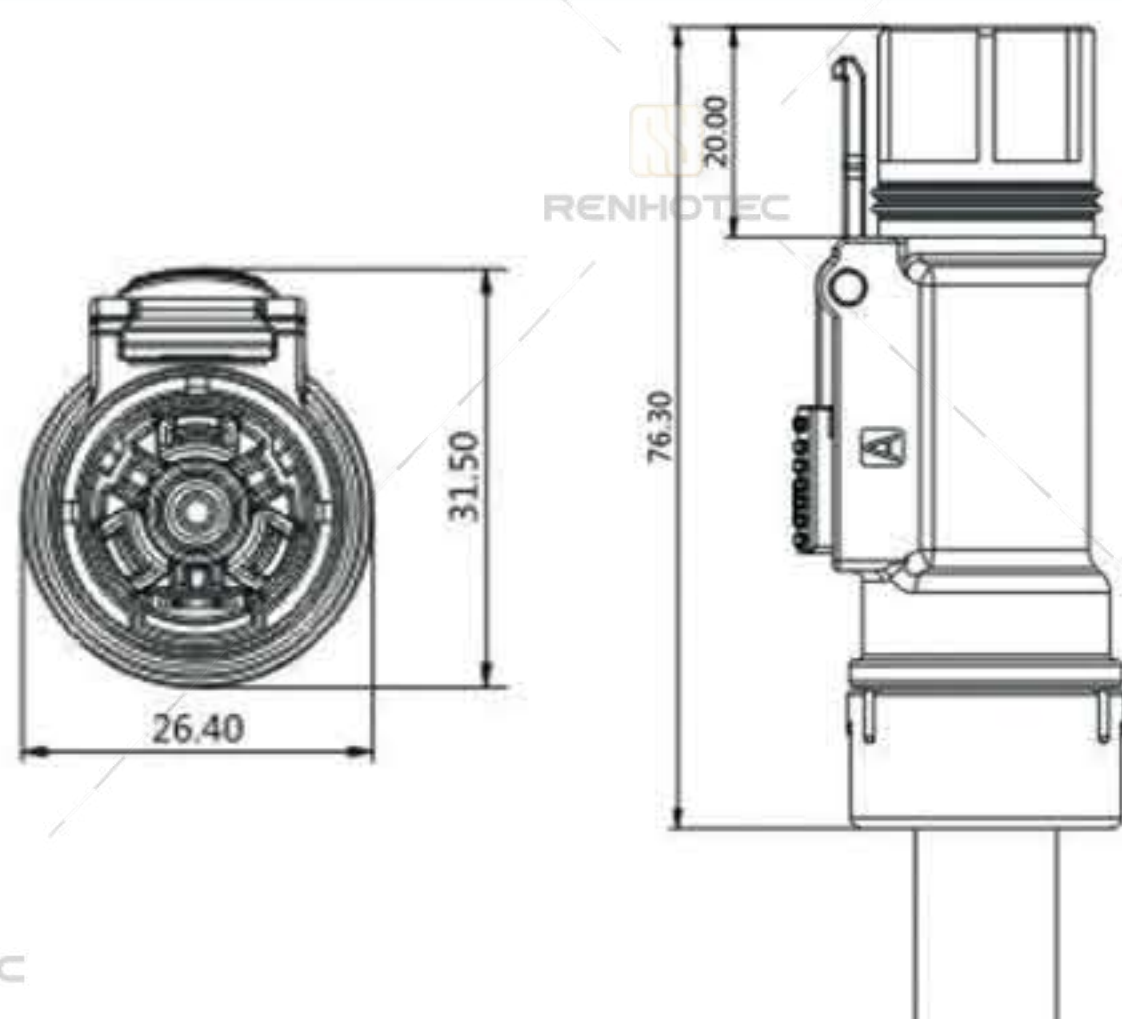
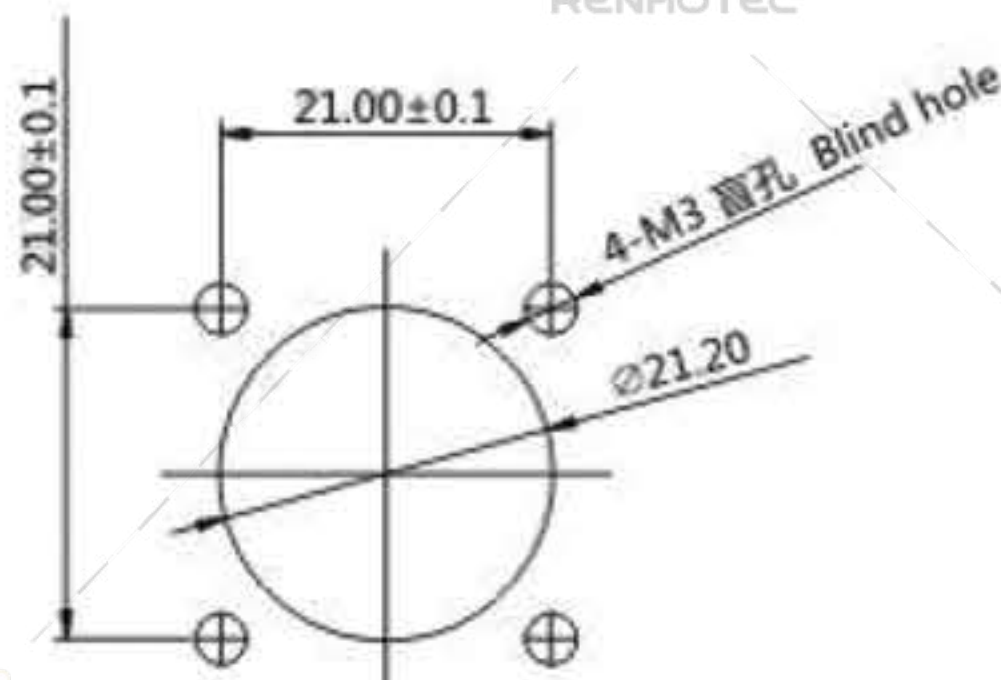
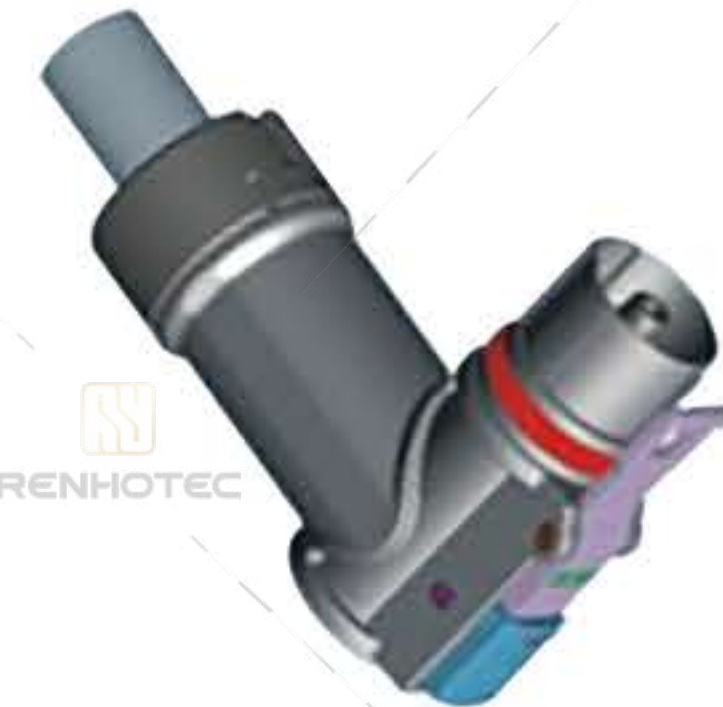
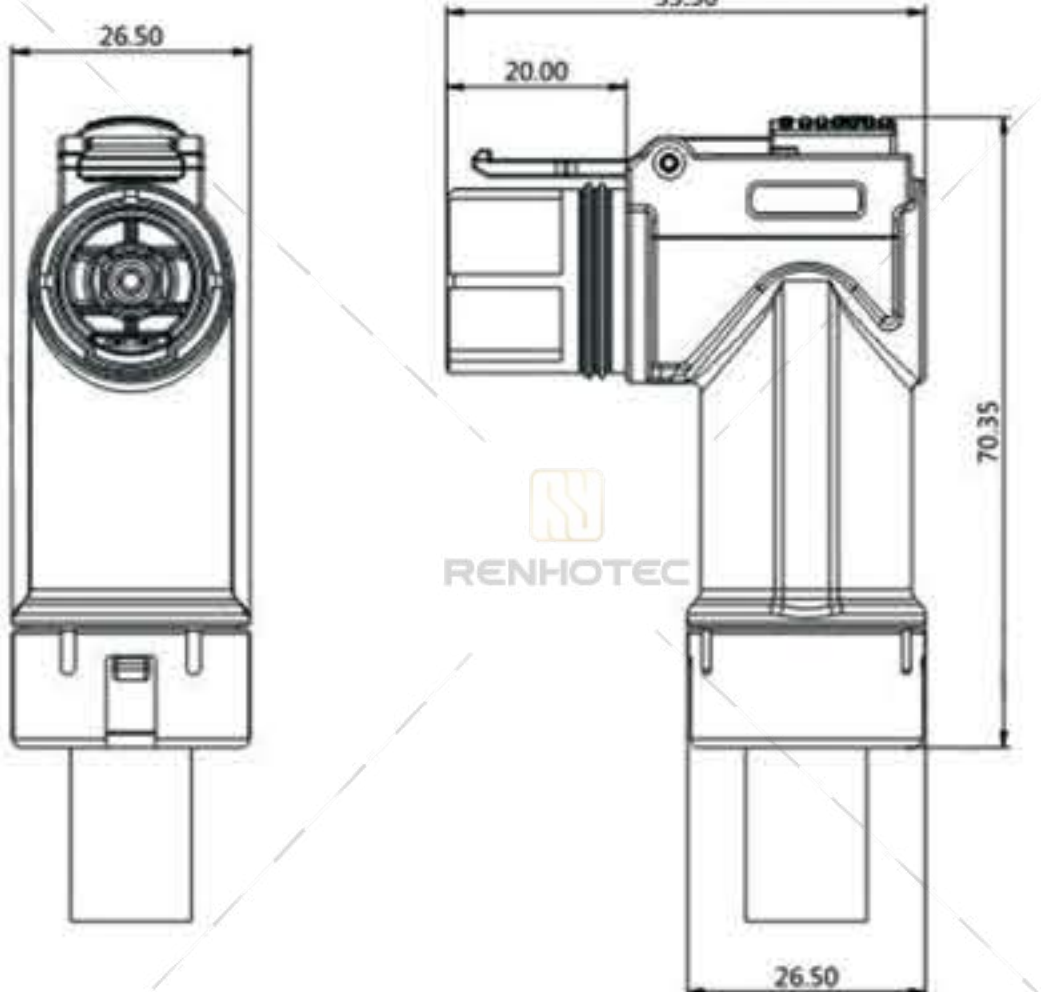
Notes:

Color: O-orange B-black Y-yellow G-green R-red

Example P/N: HVIL125-R-1P-AO-C25-2M

HVIL connector 125A right angle 1pin plug contact 25mm² wire 2m, A key orange

产品尺寸 HVIL125 Dimensions

Picture 图片	Drawing 图纸	Panel Hole Dimension 推荐面板开孔尺寸
		
		
		

HVIL 125A Series



产品参数 Product Parameters

额定电压	Rated Voltage	960V AC/1000V DC
额定电流	Rated Current	125A MAX
耐电压	Withstand Voltage	3500V AC
绝缘电阻	Insulation Resistance	≥500MΩ
线径范围	Cable Gauge	25mm ²
接线方式	Connection Type	Terminal machine
插拔次数	Mating Cycles	>100
屏蔽	Shielding	360
防护等级	IP Degree	IP67 IP6K9K(Mated)
工作温度	Operating Temperature	-40°C~125°C
盐雾测试	Salt Spray	MAX 96h
防火等级	Flammability Rating	UL94 V-0
高压互锁	HVIL	Integrated inside
芯数	Positions	2pin
外壳	Shell	PA66/Zinc alloy
端子	Contacts	Cooper alloy,Silver plating
项圈	Sealing	Rubber

订货号 Order P/N

Series	S(Straight) R(Right angle)	Pin	S(Socket) P(Plug)	Key	Color	Wire Specification
HVIL125	S	2	S	A	O	-T6(6.5mm Though-Hole for socket)
	R		P	Y		-M6(M6 Screw for socket)
						-C16(16mm ² for plug)
						-C25 (25mm ² for plug)


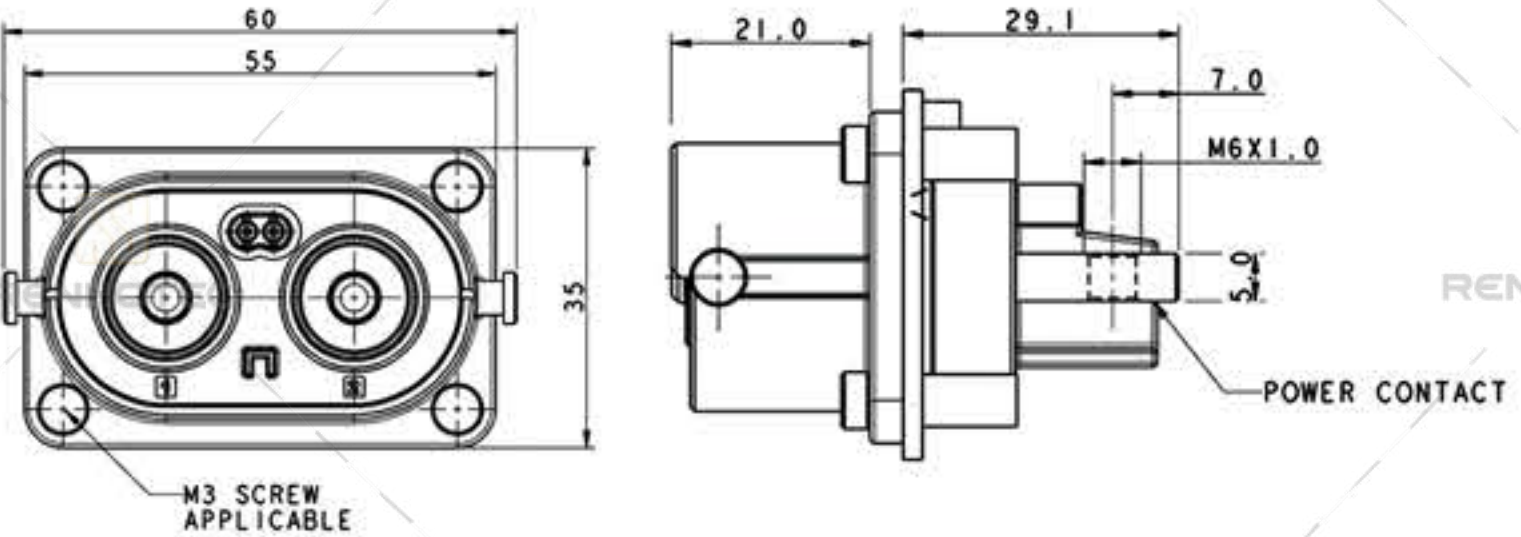
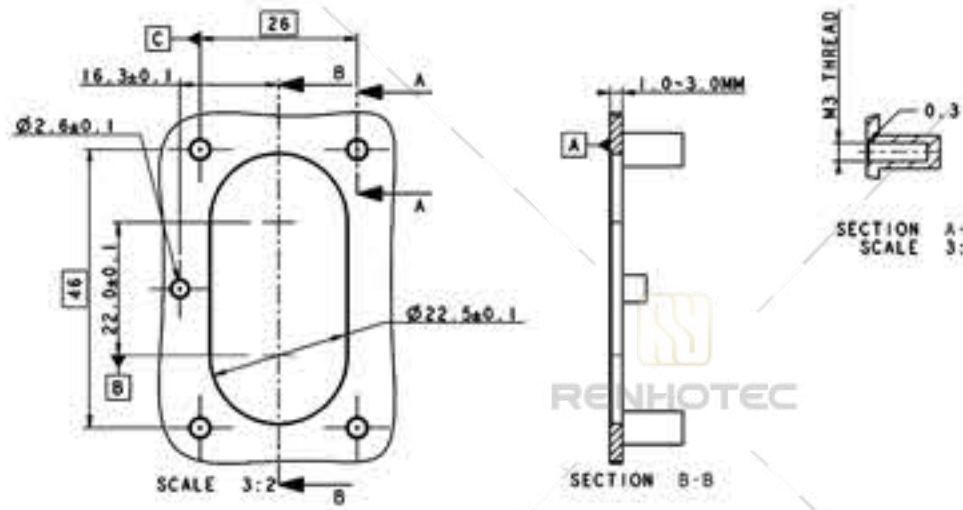

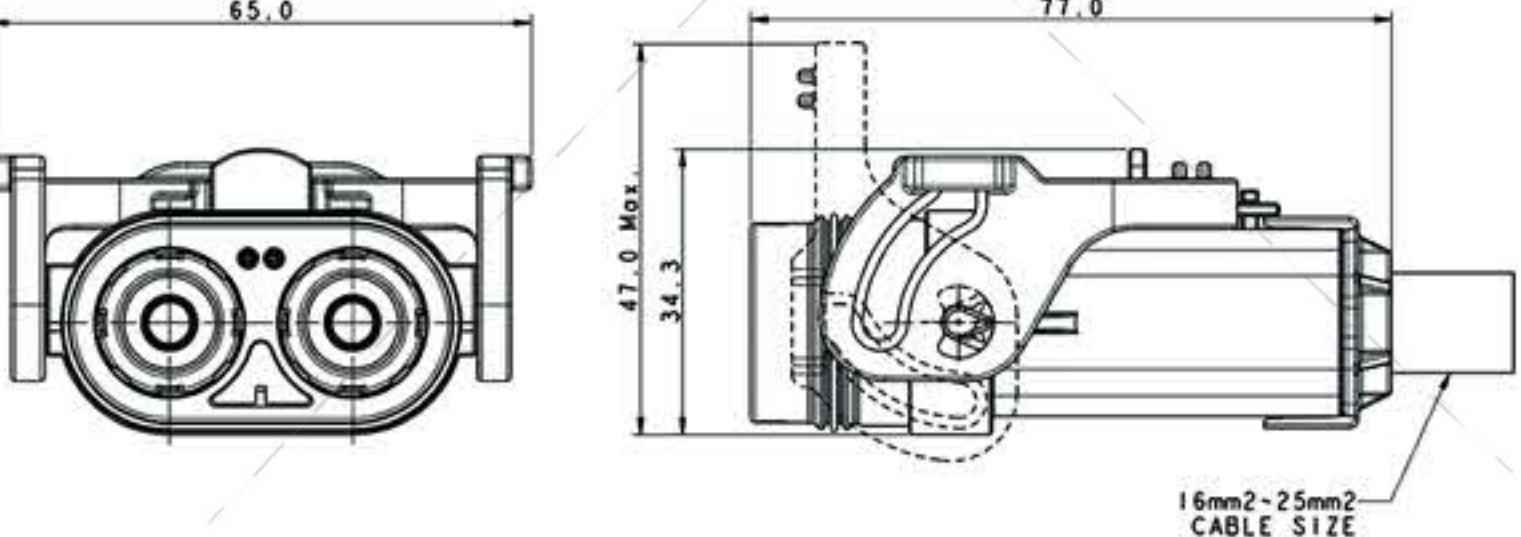
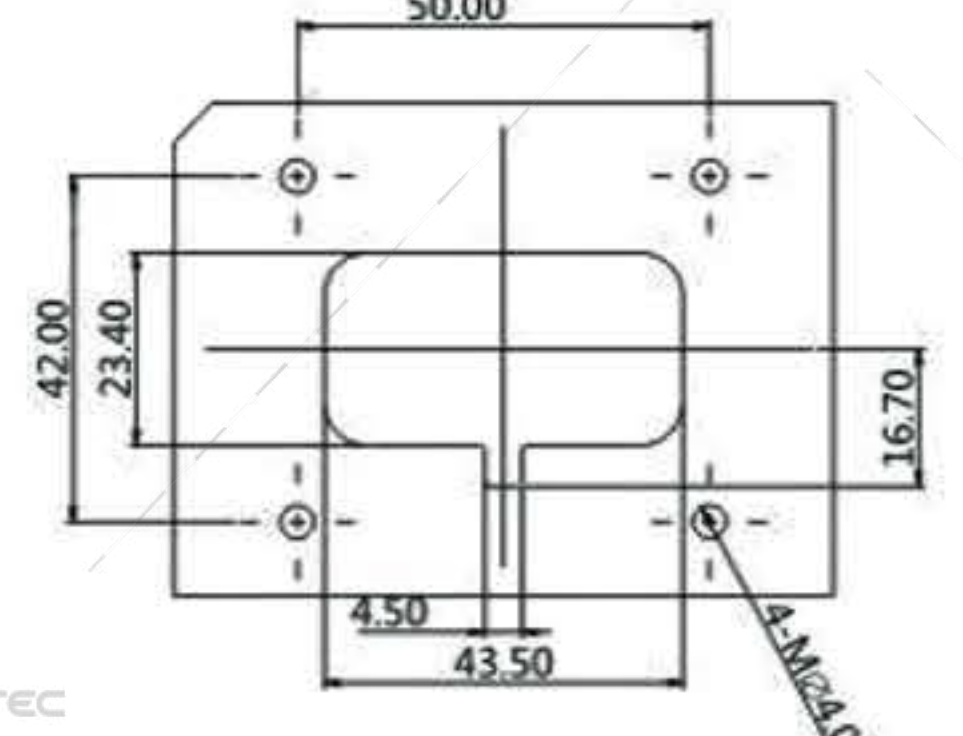

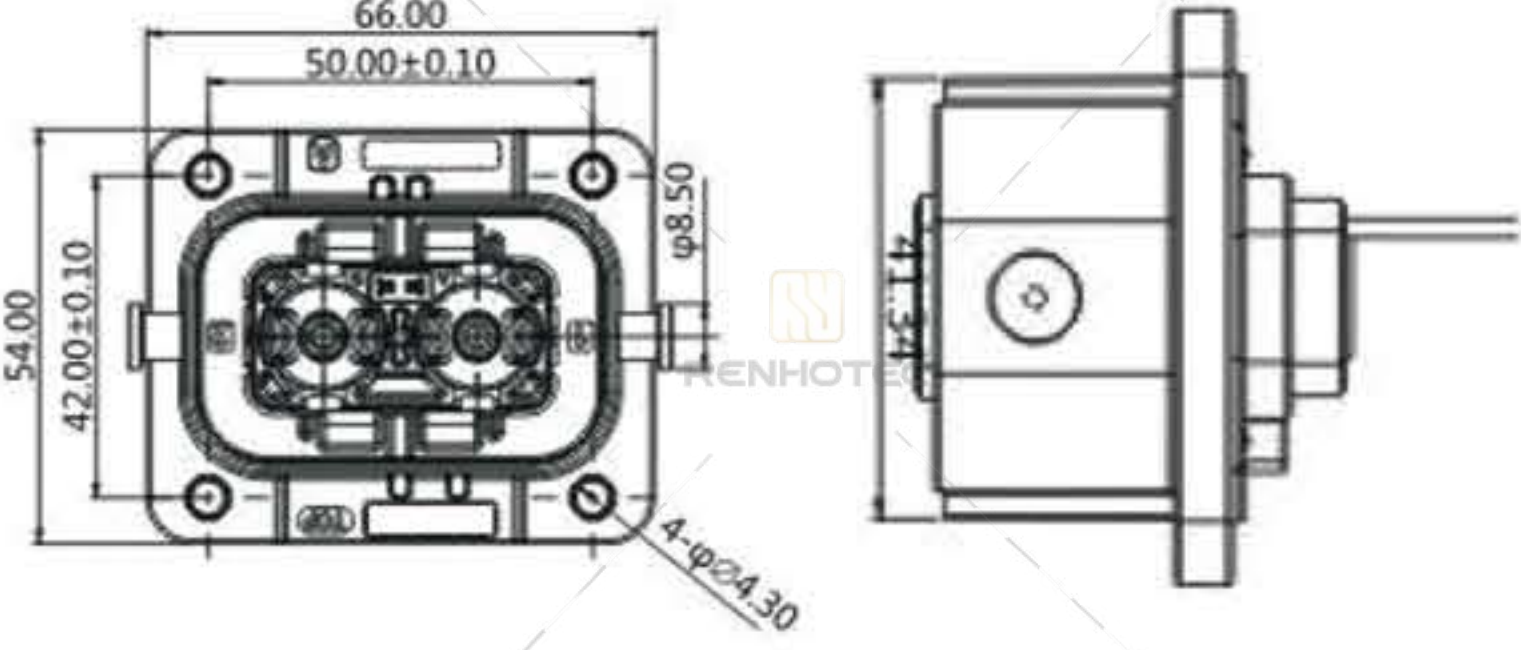
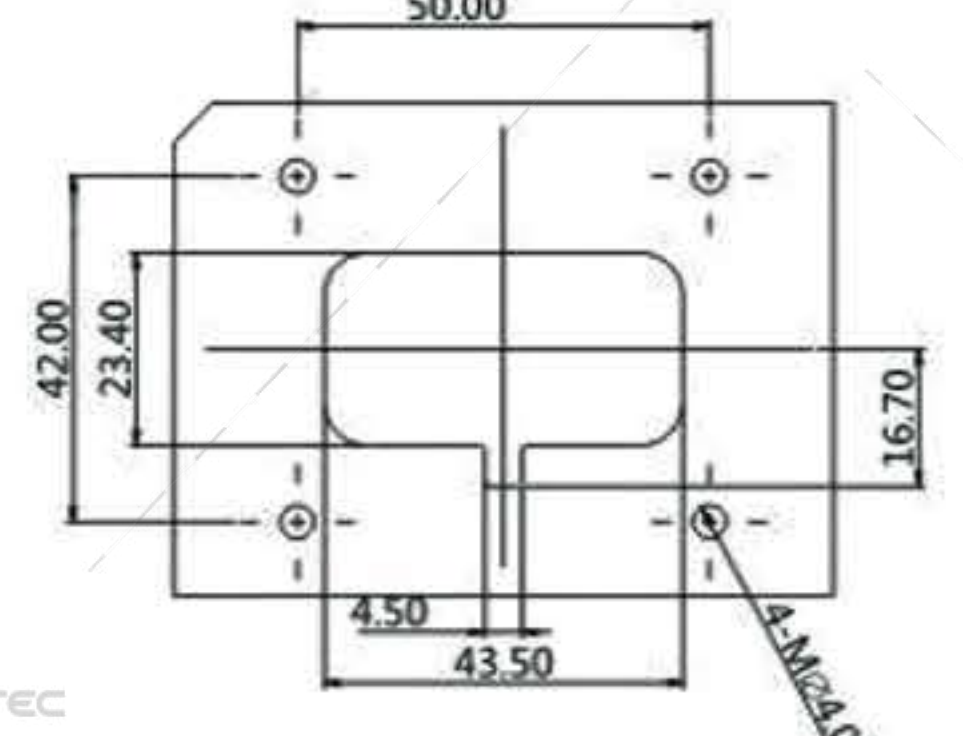

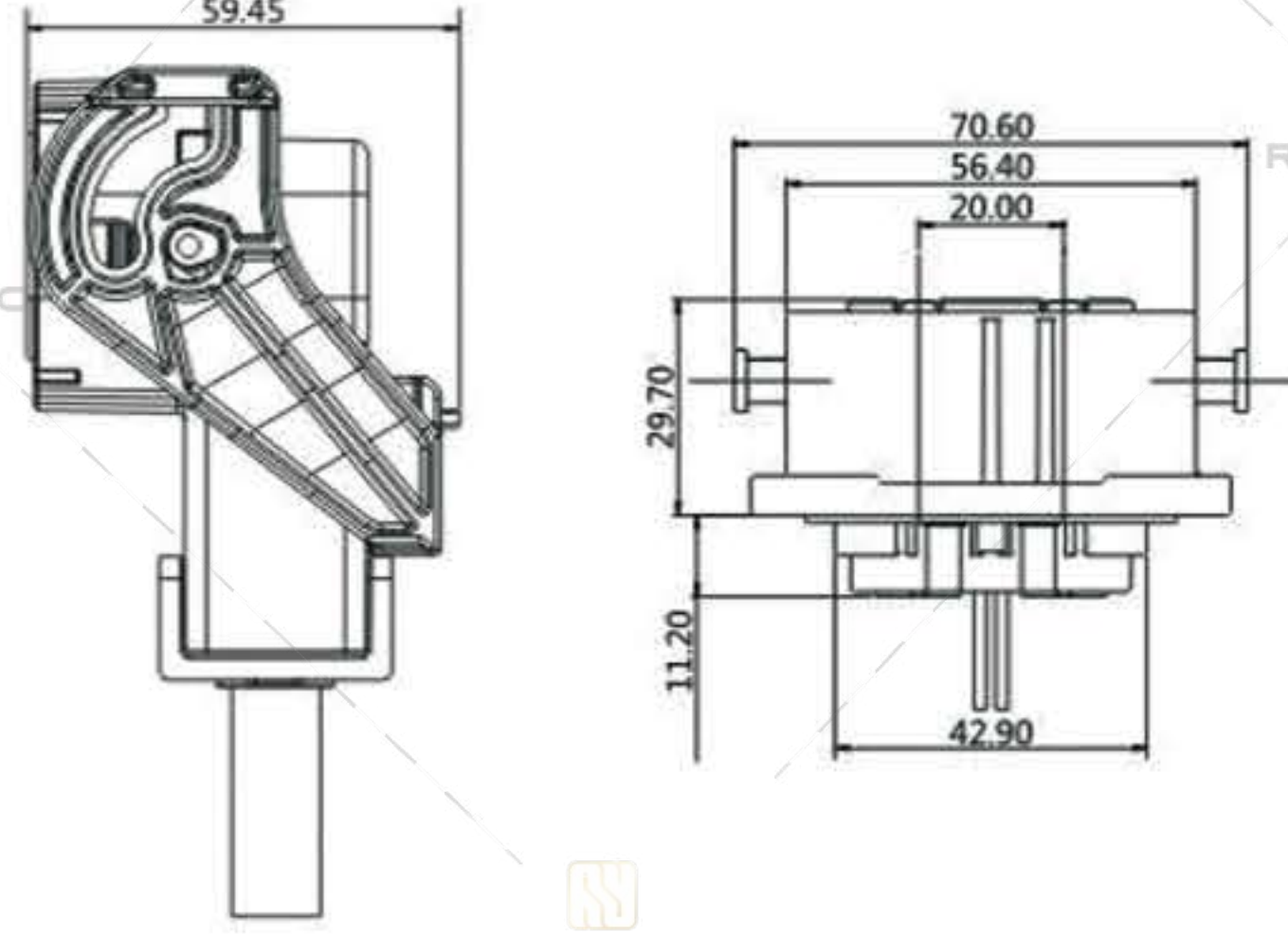
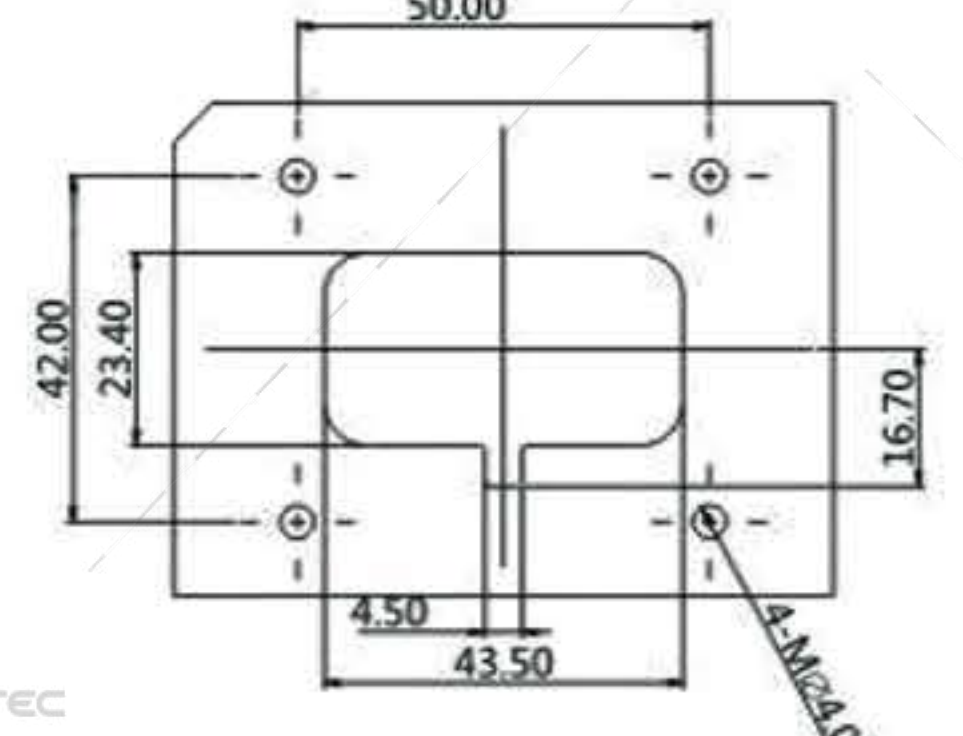
Notes:

Color: O-orange B-black

Example P/N: HVIL125-S-2P-AB-C25-1M

HVIL connector 125A straight 2pin plug contact 25mm² wire 1m, A key black metal type

产品尺寸 HVIL125 Dimensions

Picture 图片	Drawing 图纸	Panel Hole Dimension 推荐面板开孔尺寸
		
		
		
		

HVIL 150A Series



产品参数 Product Parameters

额定电压	Rated Voltage	960V AC/1000V DC
额定电流	Rated Current	150A MAX
耐电压	Withstand Voltage	3500V AC
绝缘电阻	Insulation Resistance	≥500MΩ
线径范围	Cable Gauge	16-35mm ²
接线方式	Connection Type	Terminal machine
插拔次数	Mating Cycles	>100
屏蔽	Shield Ding	360
防护等级	IP Degree	IP67 IP6K9K(Mated)
工作温度	Operating Temperature	-40°C~125°C
盐雾测试	Salt Spray	MAX 96h
防火等级	Flammability Rating	UL94 V-0
高压互锁	HVIL	Intergrated Inside
芯数	Positions	2pin
外壳	Shell	PA66
端子	Contacts	Cooper alloy,Silver plating
项圈	Sealing	Rubber

订货号 Order P/N

Series	Pin	S(Socket) P(Plug)	Key	Color	Wire Specfication	Cable length(M)
HVIL150	2	S P	A Y	O	-M6(M6 screw for socket) -C16 (16mm ²) -C25 (25mm ²) -C35 (35mm ²)	Customized


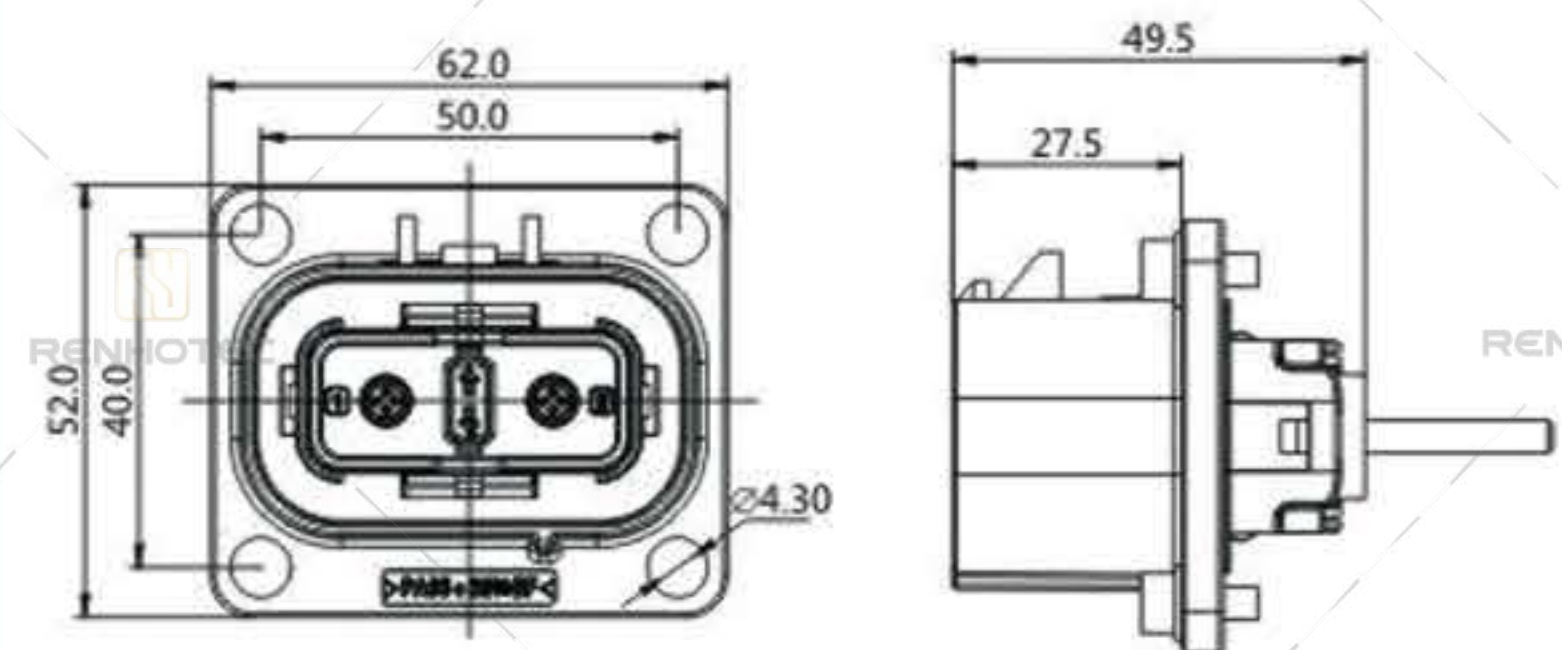
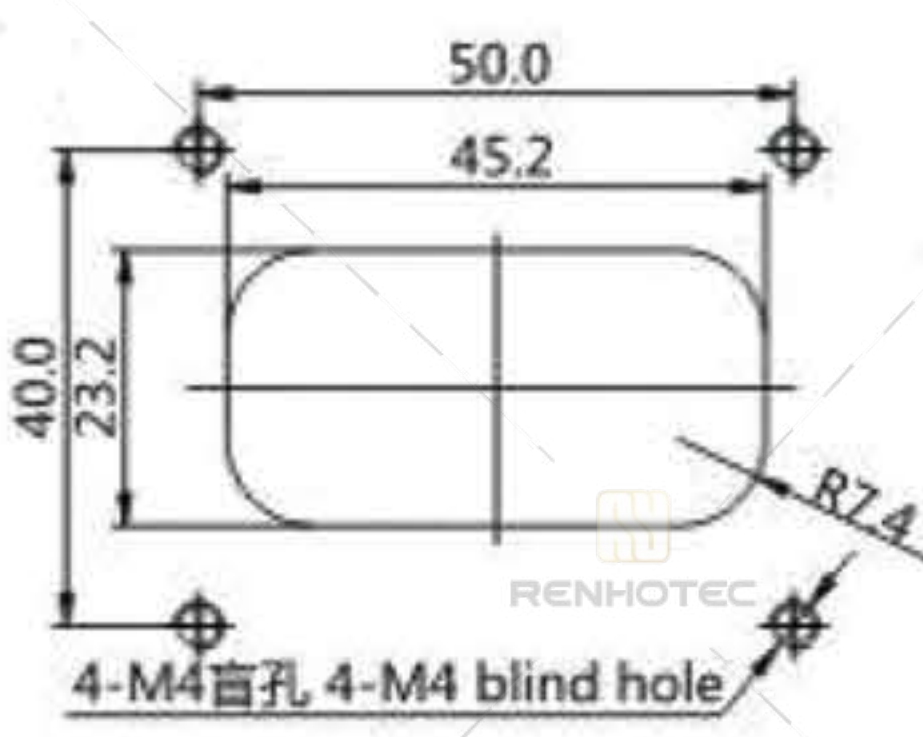

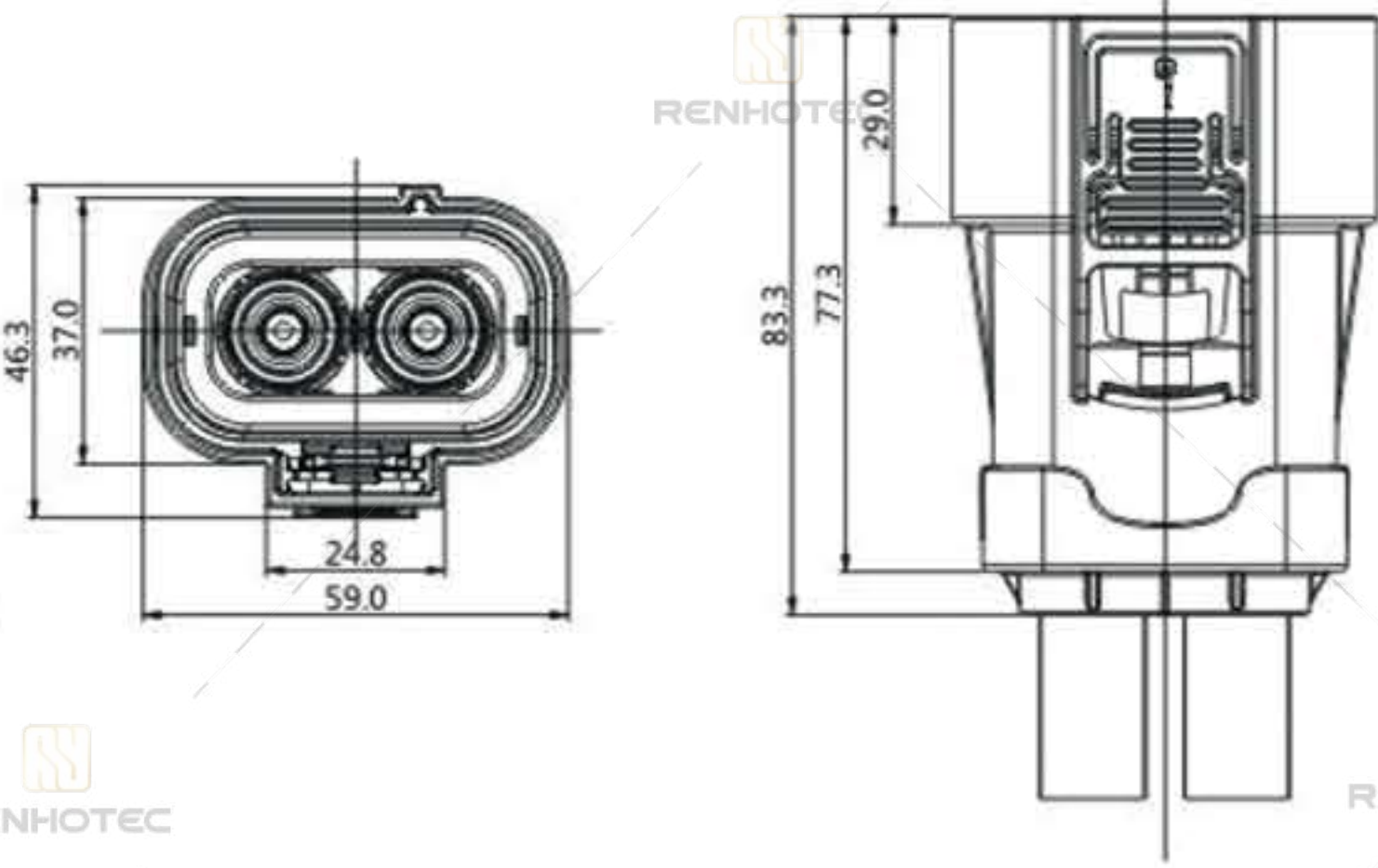
Notes:

Color: O-orange

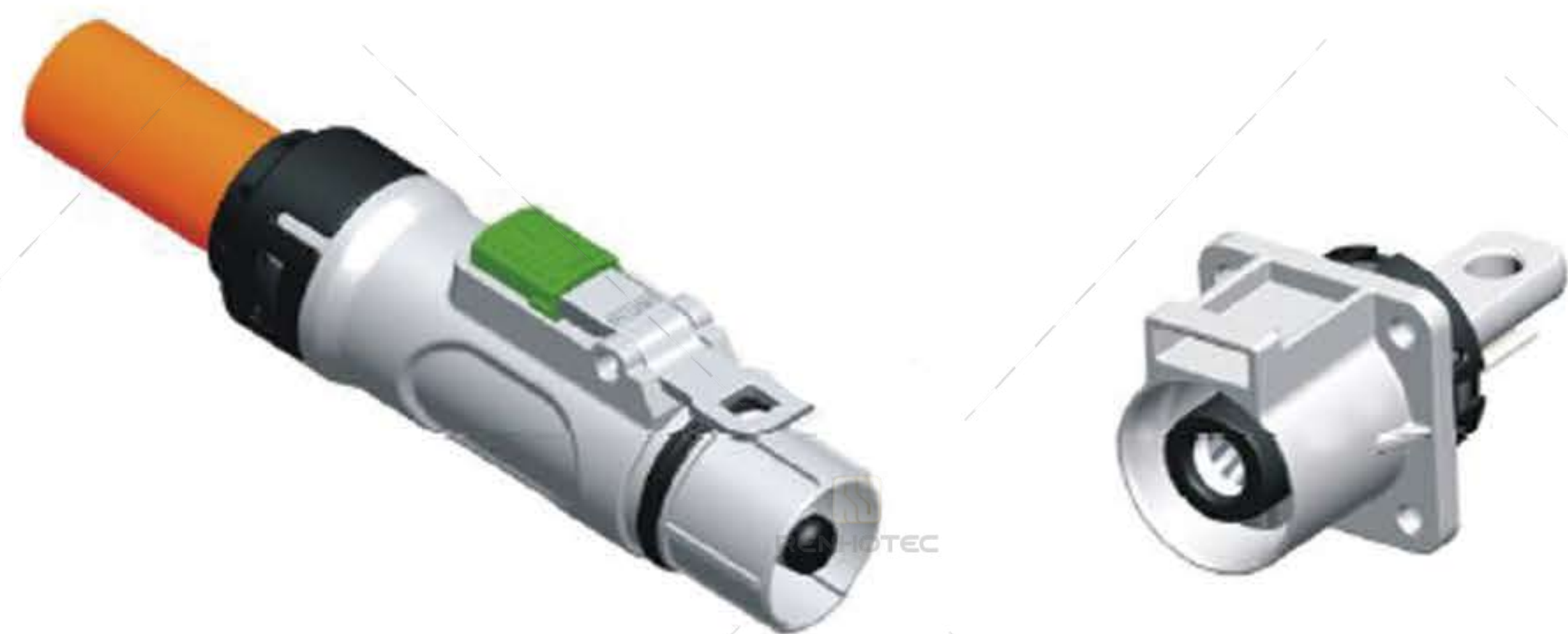
Example P/N: HVIL150-2P-AO-C16-5M

HVIL connector 150A 2pin plug contact 16mm² wire 5m, A key orange

产品尺寸 HVIL150 Dimensions

Picture 图片	Drawing 图纸	Panel Hole Dimension 推荐面板开孔尺寸
		 <p>4-M4盲孔 4-M4 blind hole</p> <p>安装尺寸 Installation dimension</p>
		

HVIL 200A Series



产品参数 Product Parameters

额定电压	Rated Voltage	960V AC/1000V DC
额定电流	Rated Current	200A MAX
耐电压	Withstand Voltage	3500V AC
绝缘电阻	Insulation Resistance	≥500MΩ
线径范围	Cable Gauge	25-50mm ²
接线方式	Connection Type	Terminal machine
插拔次数	Mating Cycles	>100
屏蔽	Shield Ding	360
防护等级	IP Degree	IP67 IP6K9K(Mated)
工作温度	Operating Temperature	-40°C~125°C
盐雾测试	Salt Spray	MAX 96h
防火等级	Flammability Rating	UL94 V-0
高压互锁	HVIL	Intergrated inside
芯数	Positions	1pin
外壳	Shell	PA66/Zinc alloy
端子	Contacts	Cooper alloy,Silver plating
项圈	Sealing	Rubber

订货号 Order P/N

Series	S(Straight) R(Right angle)	Pin	S(Socket) P(Plug)	Key	Color	Wire Specification
HVIL200	S R	1	S P	A Y	O B	-T6(6.5mm Though-Hole for Socket) -M6(M6 screw for socket) -C25 (25mm ² for plug) -C35 (35mm ² for plug) -C50 (50mm ² for plug)


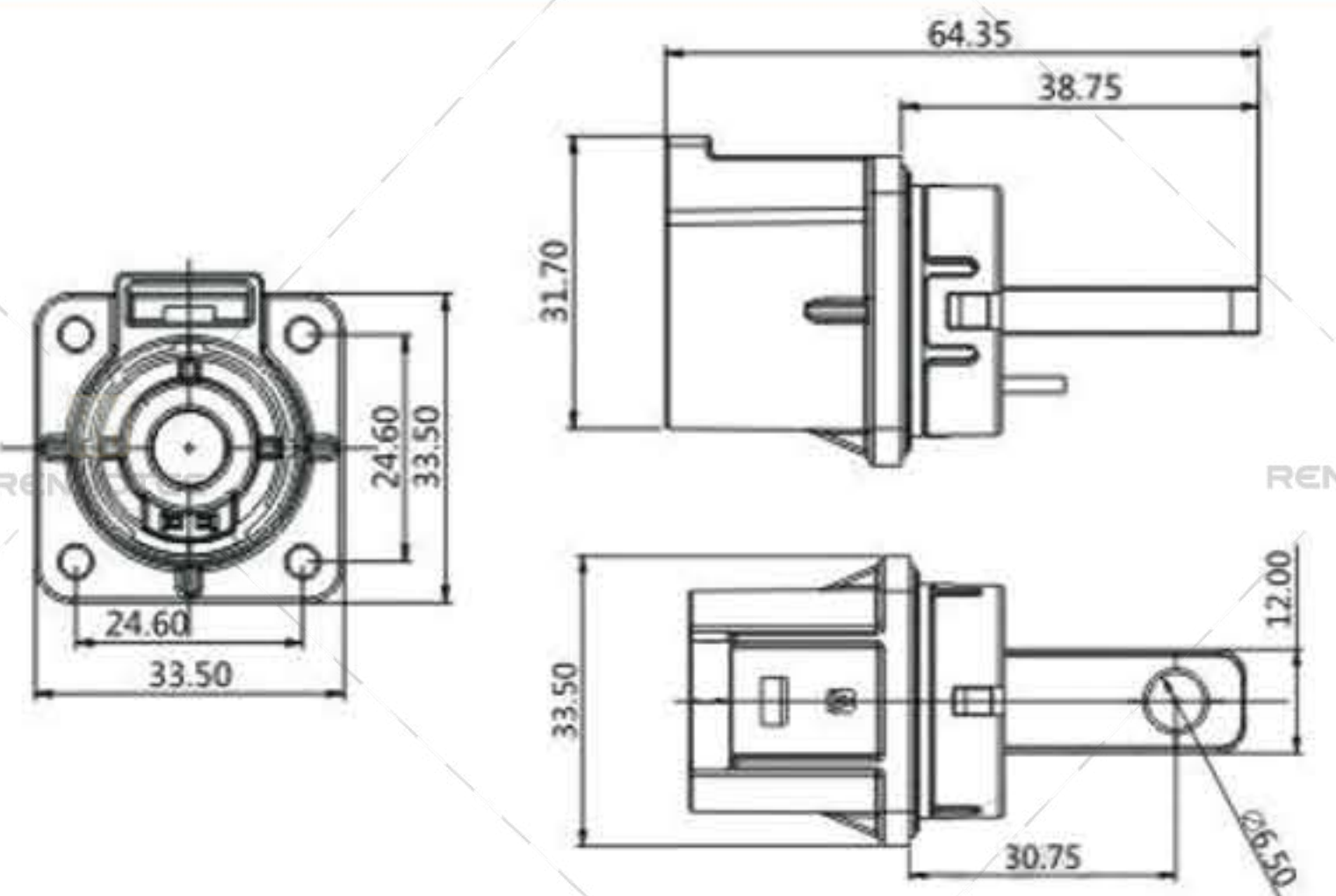

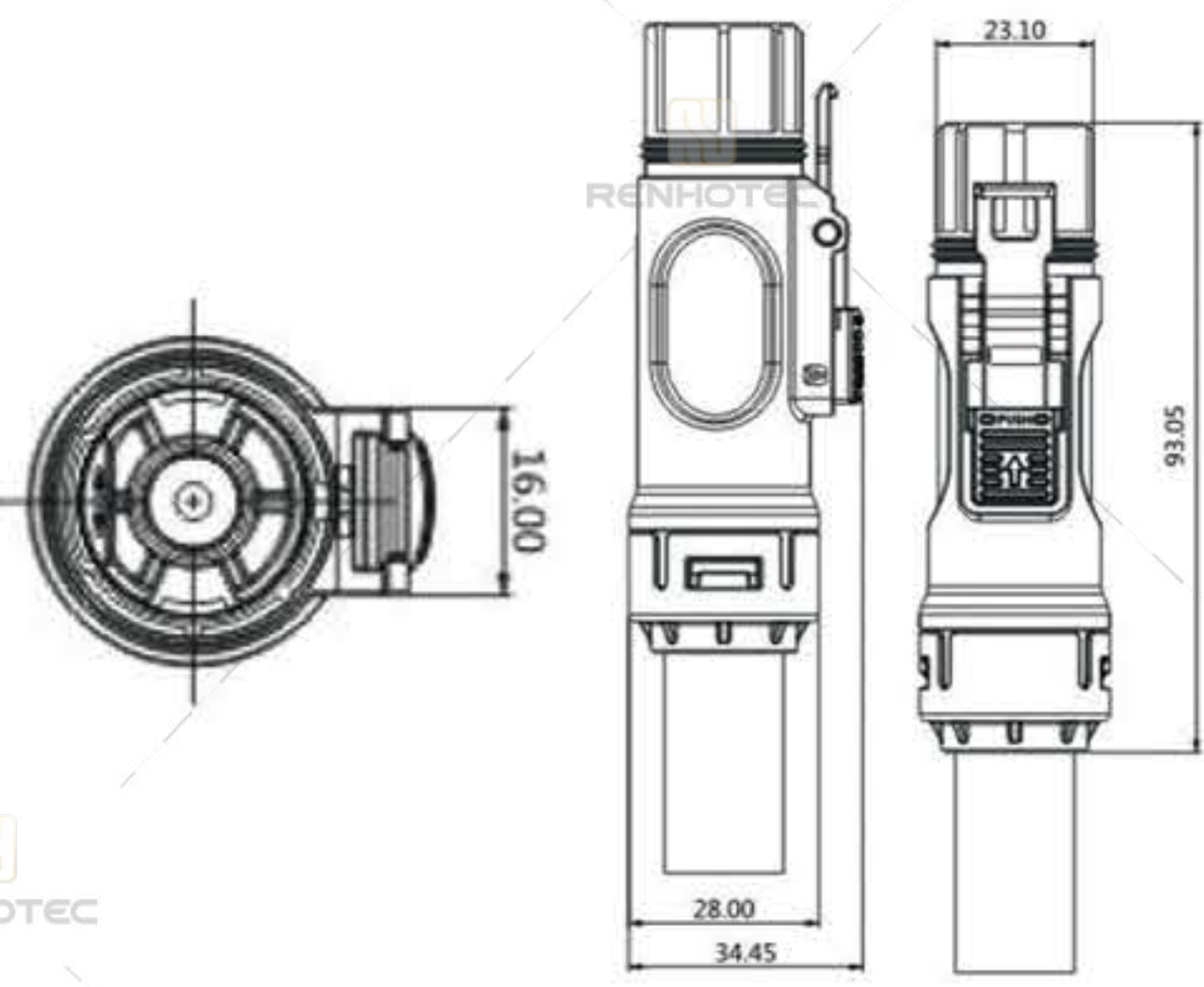
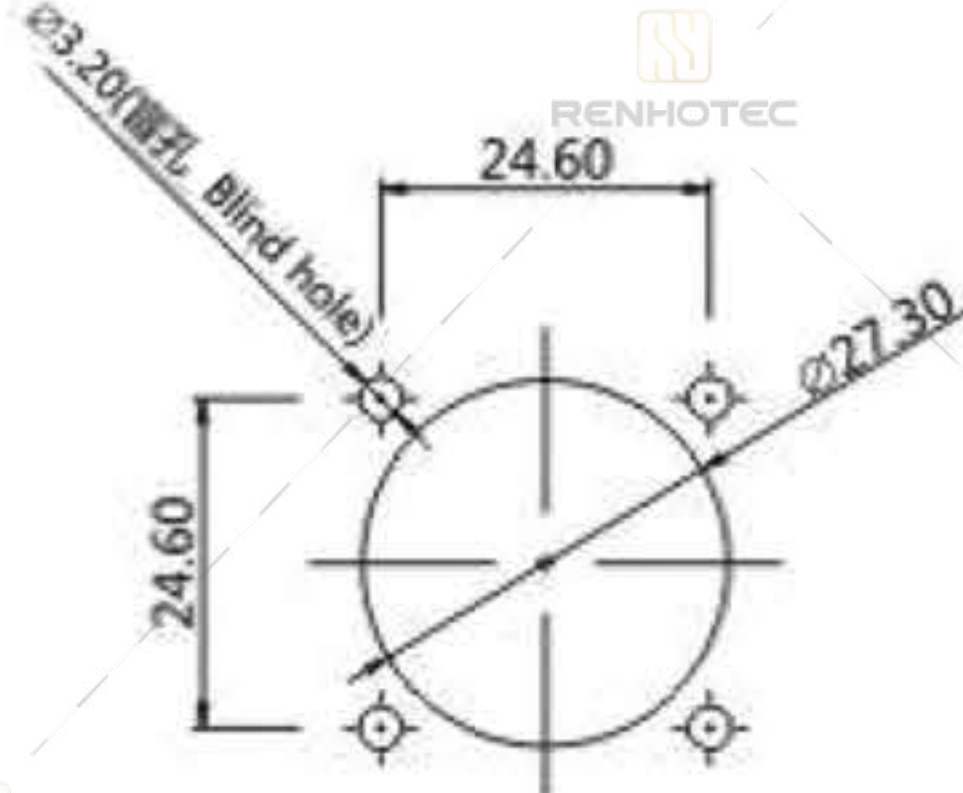

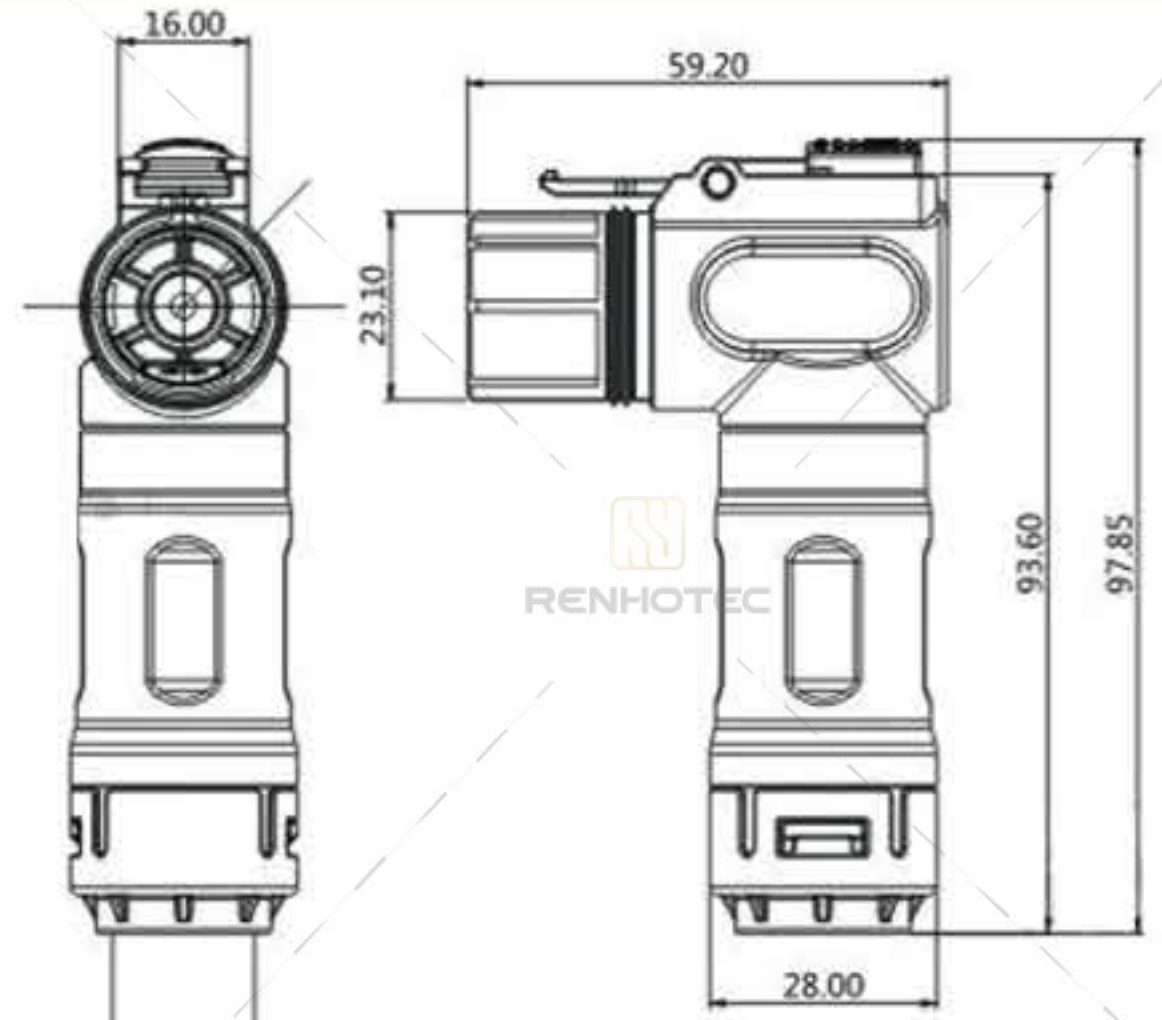
Notes:

Color: O-orange B-black Y-yellow G-green R-red

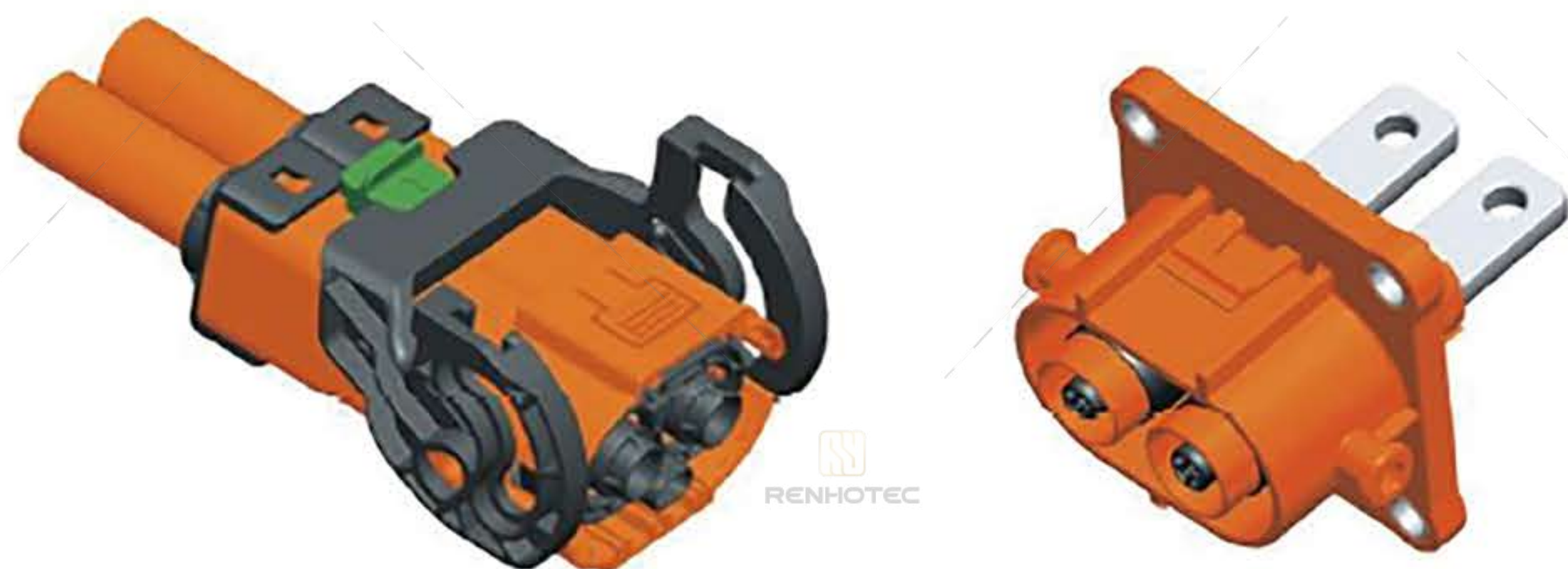
Example P/N: HVIL200-R-1S-AO-C50-4M

HVIL connector 200A right angle 1pin socket contact 50mm² wire for 4m,A key orange

产品尺寸 HVIL200 Dimensions

Picture 图片	Drawing 图纸	Panel Hole Dimension 推荐面板开孔尺寸
		
		 安装尺寸 Installation dimension
		

HVIL 200A Series



产品参数 Product Parameters

额定电压	Rated Voltage	960V AC/1000V DC
额定电流	Rated Current	200A MAX
耐电压	Withstand Voltage	3500V AC
绝缘电阻	Insulation Resistance	≥500MΩ
线径范围	Cable Gauge	25-50mm ²
接线方式	Connection Type	Terminal machine
插拔次数	Mating Cycles	>100
屏蔽	Shield Ding	360
防护等级	IP Degree	IP67 IP6K9K(Mated)
工作温度	Operating Temperature	-40°C~125°C
盐雾测试	Salt Spray	MAX 96h
防火等级	Flammability Rating	UL94 V-0
高压互锁	HVIL	Intergrated inside
芯数	Positions	2pin
外壳	Shell	PA66/Zinc alloy
端子	Contacts	Cooper alloy,Silver plating
项圈	Sealing	Rubber

订货号 Order P/N

Series	S(Straight) R(Right angle)	Pin	S(Socket) P(Plug)	Key	Color	Wire Specification
HVIL200	S	2	S	A	O	-T6(6.5mm Though-Hole)
	R		P	Y		-M6(M6 screw for socket)
						-C25 (25mm ² for plug)
						-C35 (35mm ² for plug)
						-C50 (50mm ² for plug)


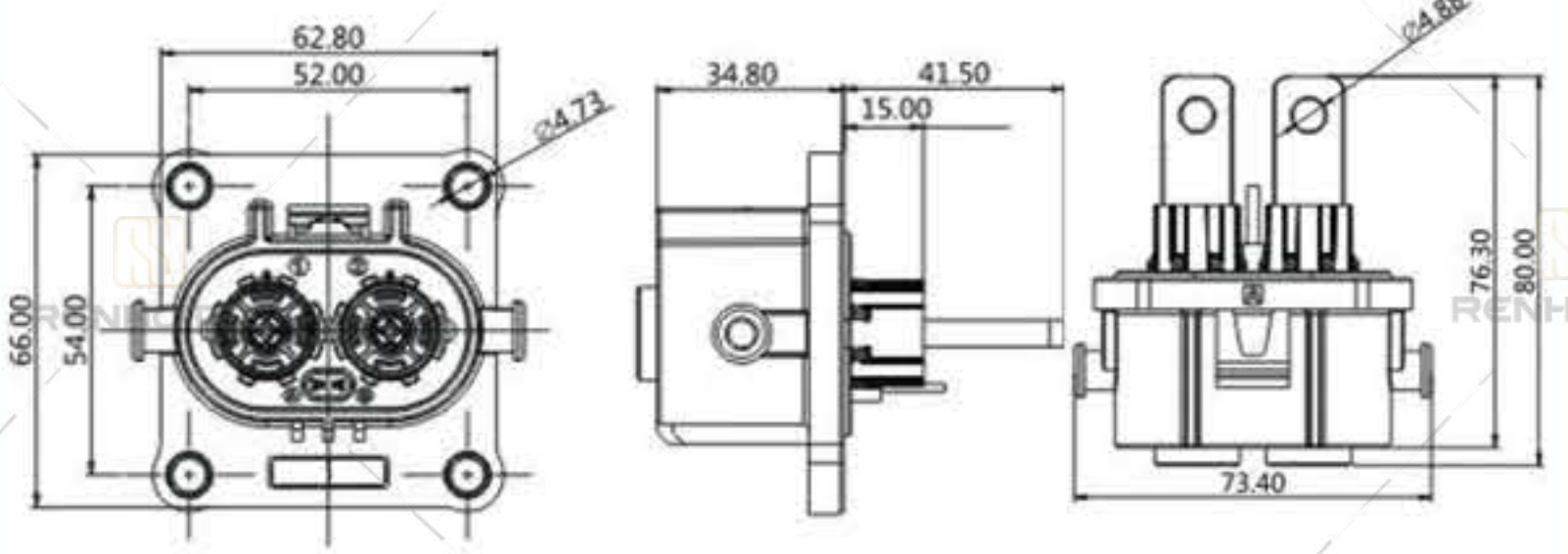

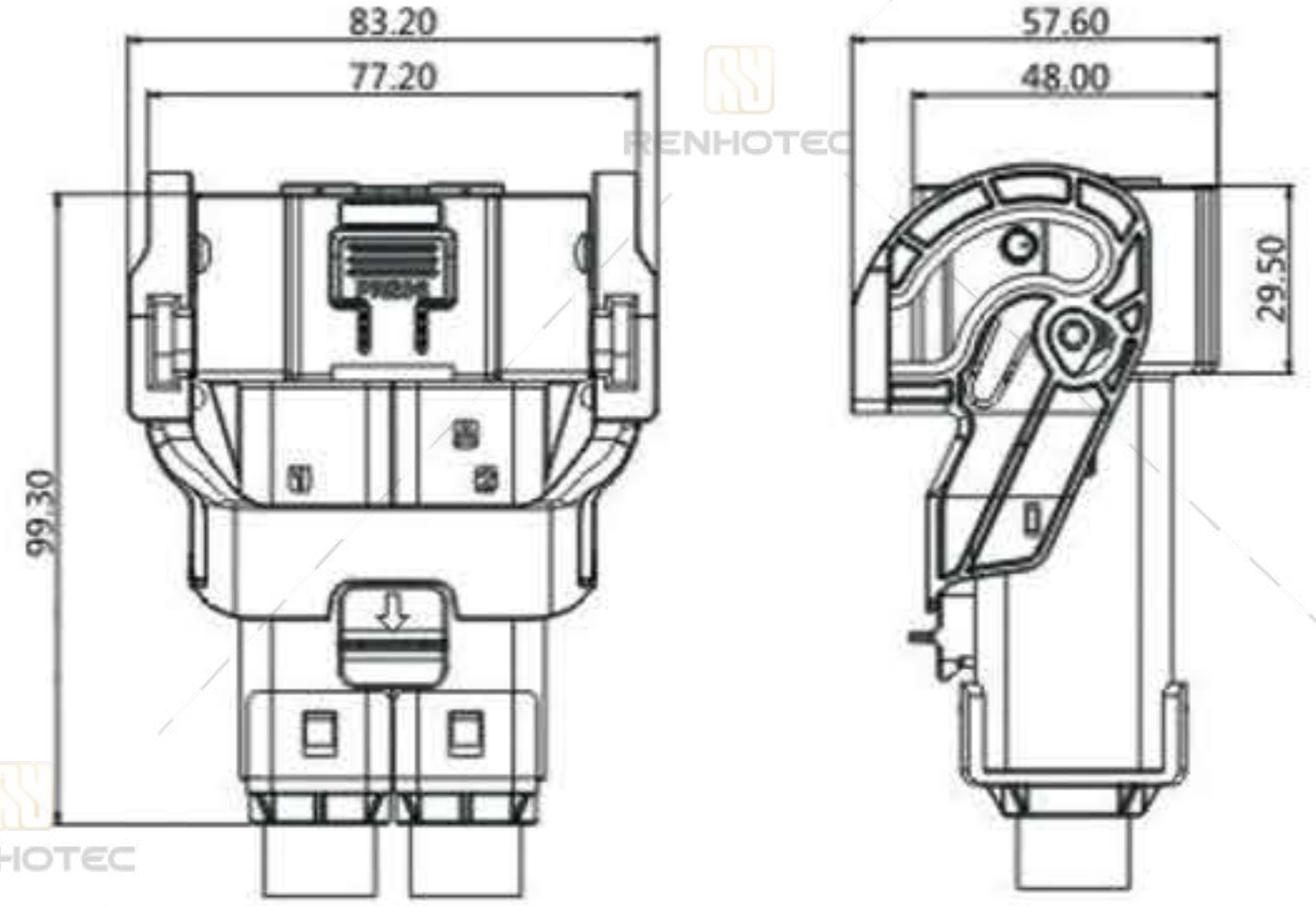
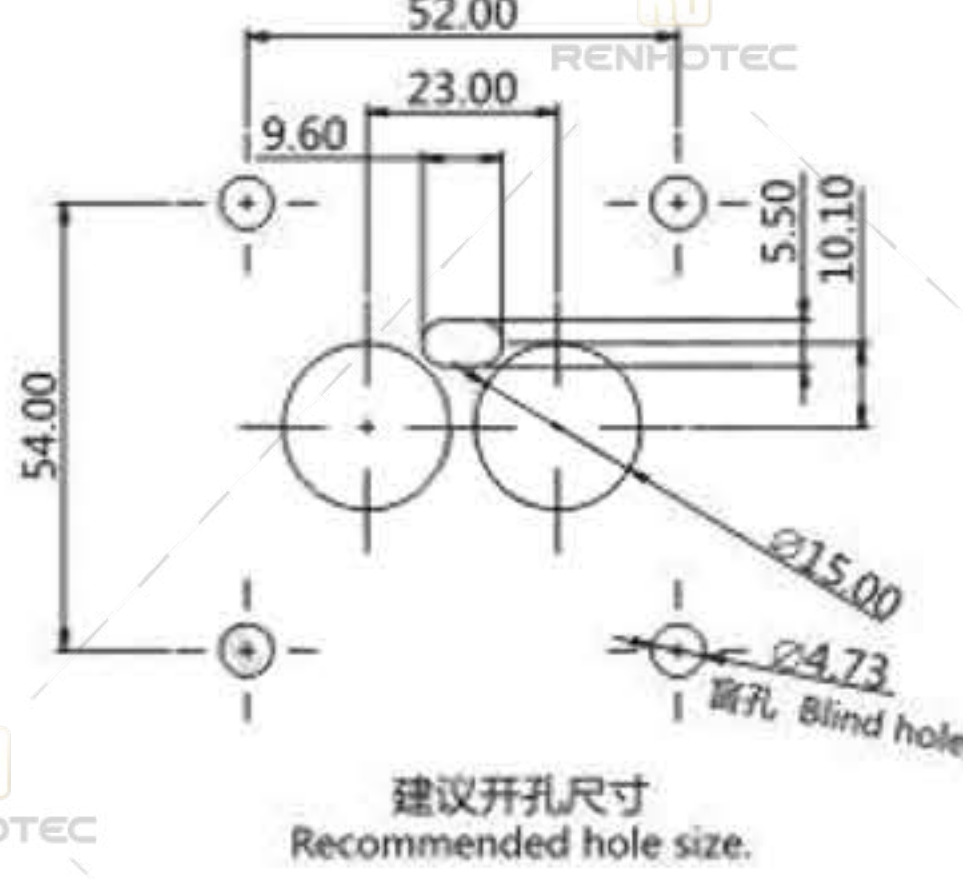

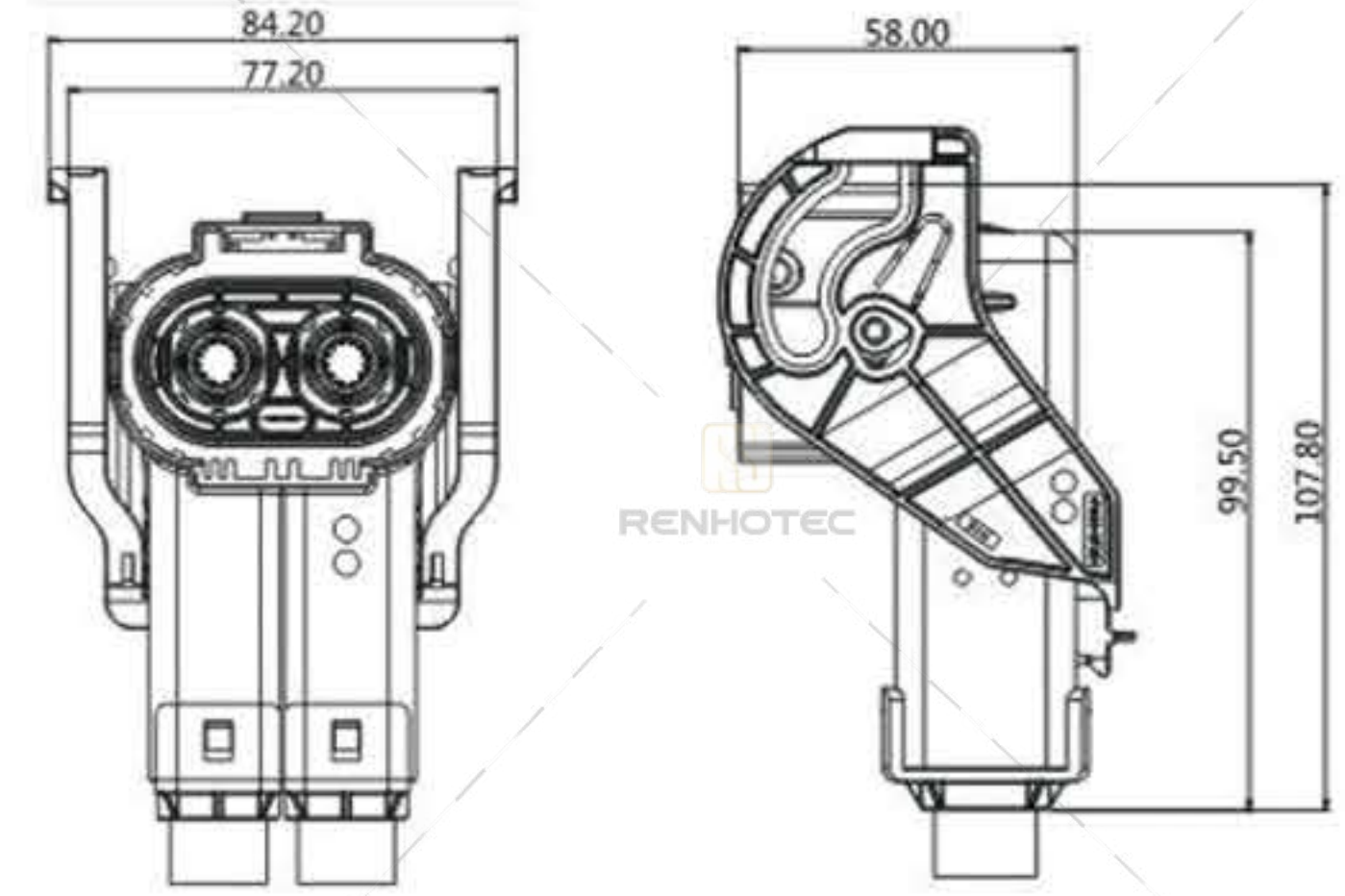
Notes:

Color: O-orange

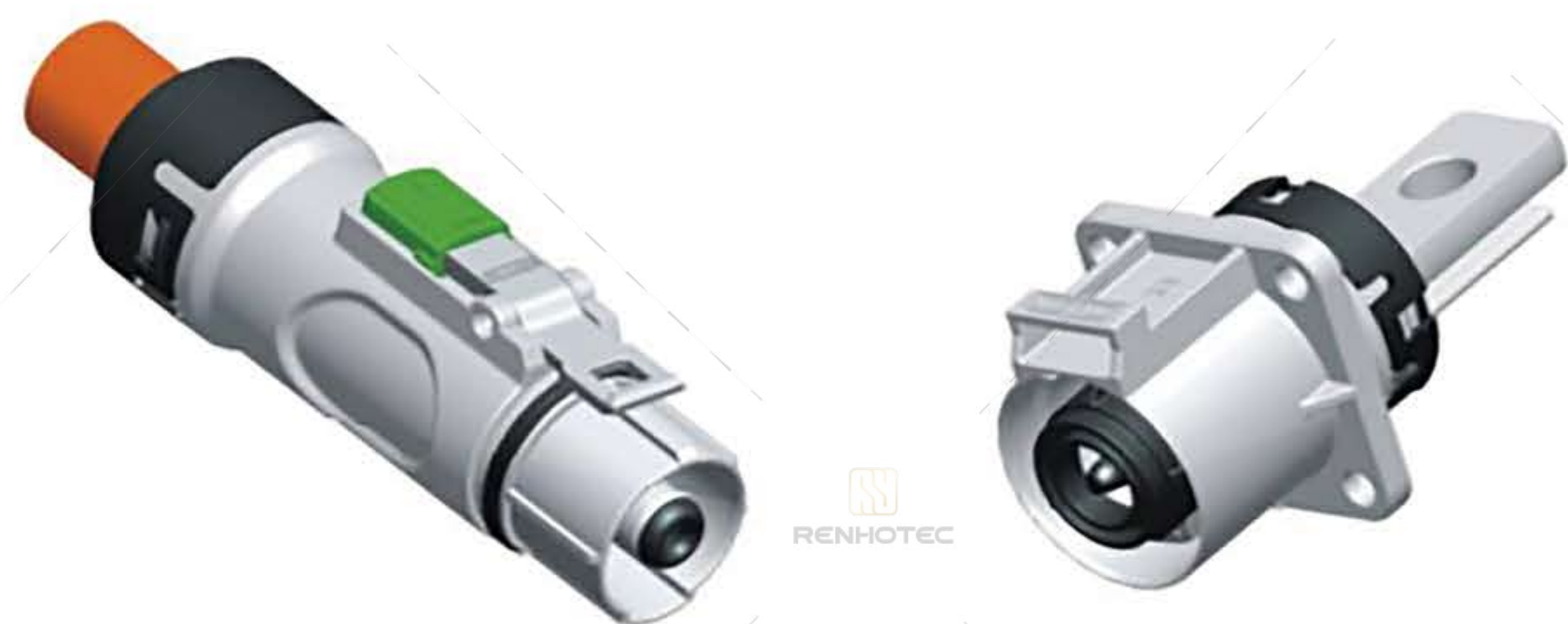
Example P/N: HVIL200-R-2P-YO-C35-3M

HVIL connector 200A right angle 2pin plug contact 35mm² wire for 3m,A key orange

产品尺寸 HVIL200 Dimensions

Picture 图片	Drawing 图纸	Panel Hole Dimension 推荐面板开孔尺寸
		
		
		

HVIL 250A Series



产品参数 Product Parameters

额定电压	Rated Voltage	960V AC/1000V DC
额定电流	Rated Current	250A MAX
耐电压	Withstand Voltage	3500V AC
绝缘电阻	Insulation Resistance	≥500MΩ
线径范围	Cable Gauge	50-70mm ²
接线方式	Connection Type	Terminal machine
插拔次数	Mating Cycles	>100
屏蔽	Shield Ding	360
防护等级	IP Degree	IP67 IP6K9K(Mated)
工作温度	Operating Temperature	-40°C~125°C
盐雾测试	Salt Spray	MAX 96h
防火等级	Flammability Rating	UL94 V-0
高压互锁	HVIL	Intergrated inside
芯数	Positions	1pin
外壳	Shell	Zinc alloy
端子	Contacts	Cooper alloy,Silver plating
项圈	Sealing	Rubber

订货号 Order P/N

Series	S(Straight) R(Right angle)	Pin	S(Socket) P(Plug)	Key	Color	Wire Specification
HVIL250	S	1	S	A	O	-T8(8.5mm through hole for socket)
	R		P	Y	B	-TBD(Customizable hole shape)
						-M8(M8 screw for socket)
						-C50 (50mm ² for plug)
						-C70 (70mm ² for plug)


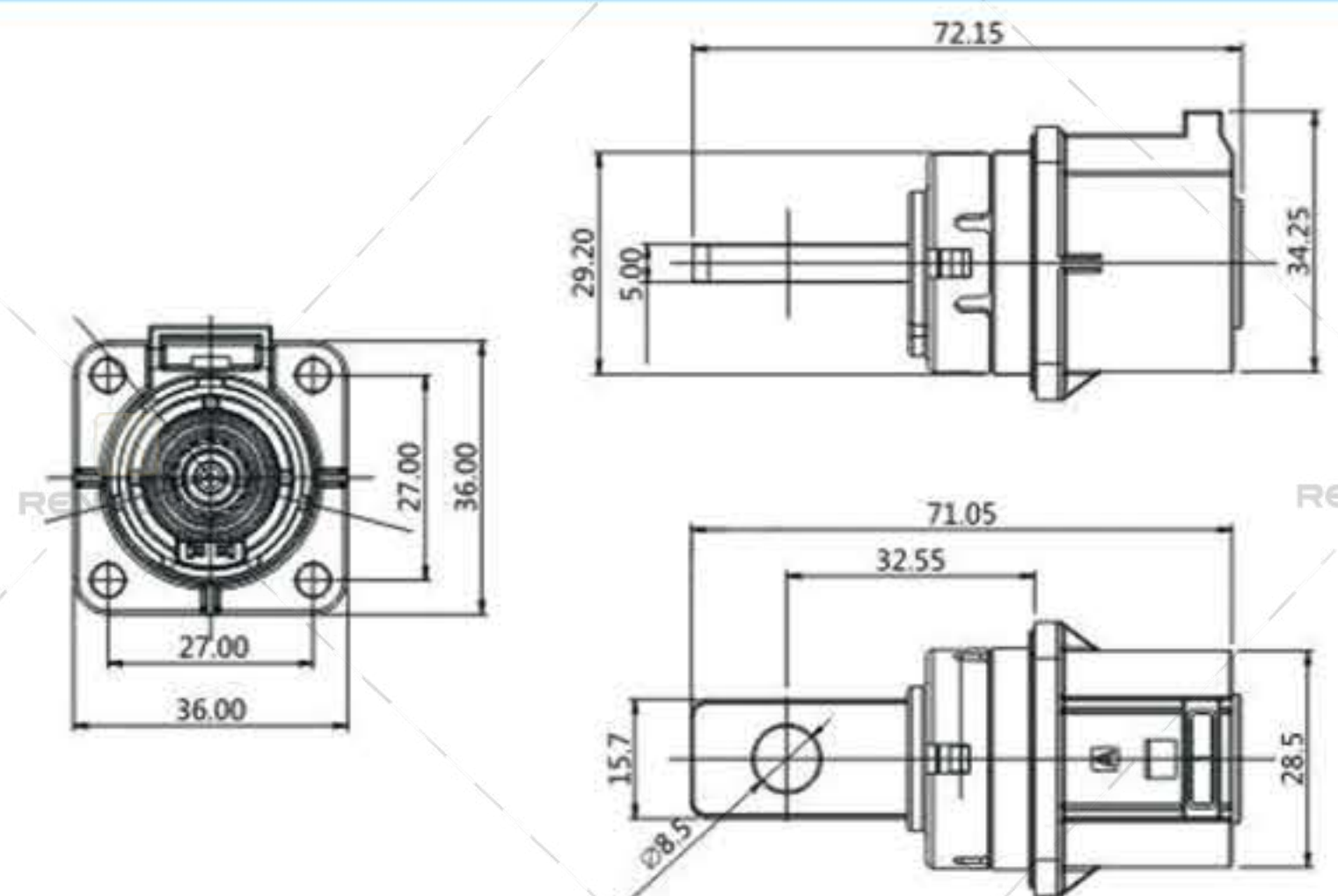

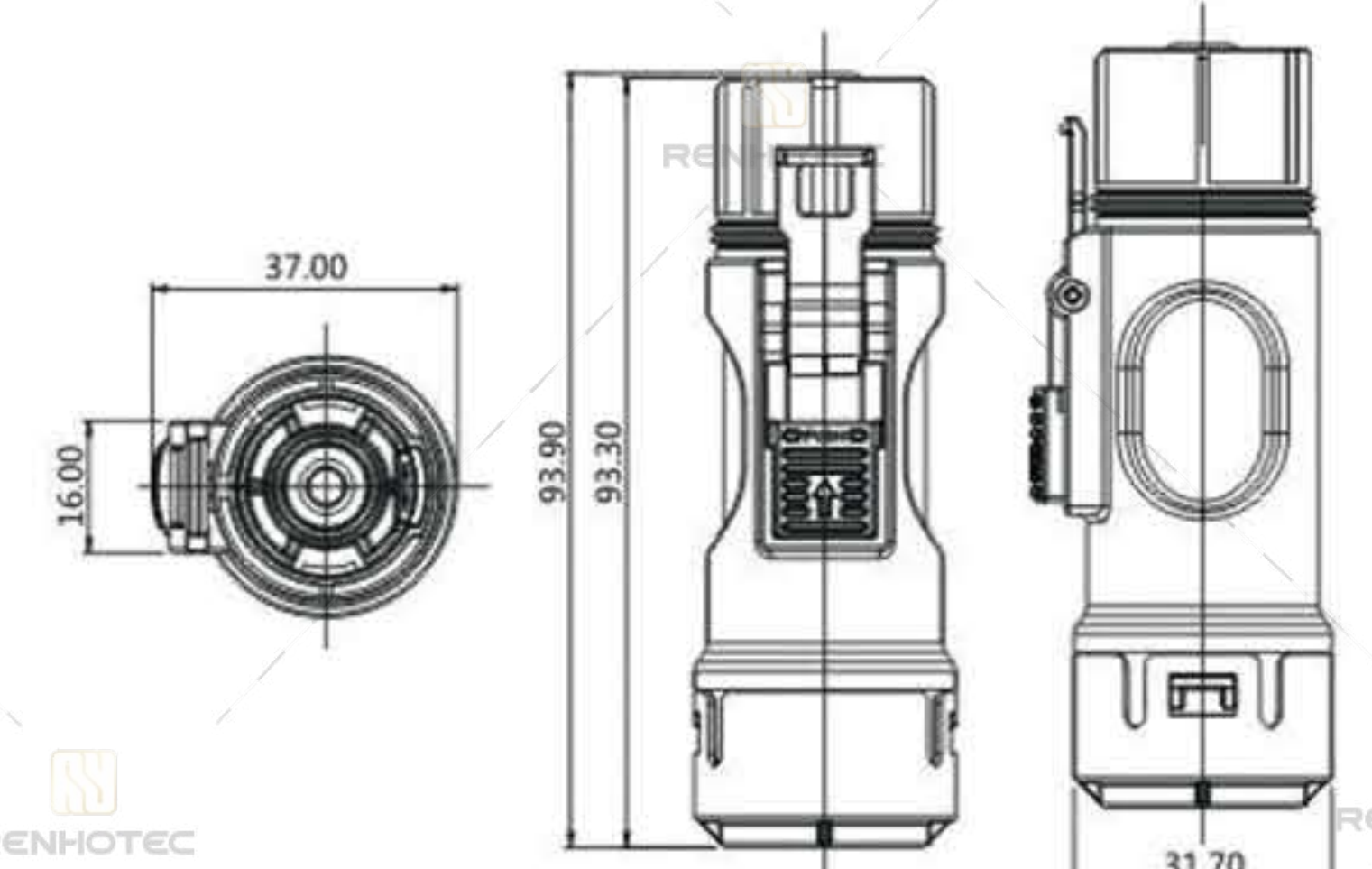
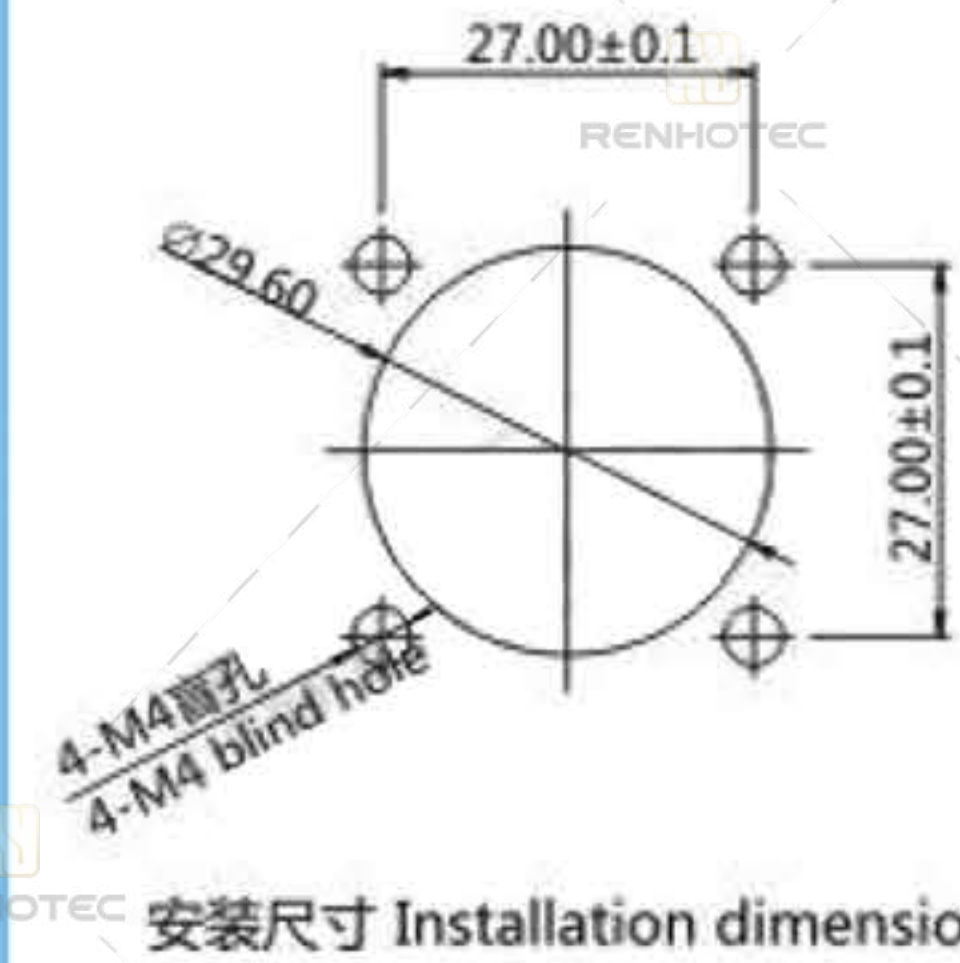
Notes:

Color: O-orange B-black Y-yellow G-green R-red

Example P/N: HVIL250-S-1S-AO-T8

HVIL connector 250A straight 1pin socket,terminal though hole size 8.5mm²,A key orange

产品尺寸 HVIL250 Dimensions

Picture 图片	Drawing 图纸	Panel Hole Dimension 推荐面板开孔尺寸
		
		 <p>安装尺寸 Installation dimension</p>
