



Energy Battery Storage Connector Socket Female
Straight 6mm IS IP67 Red

Part Number:

RHT.S006.T03.RD



Basic Information

Connector Type	Socket
Orientation	Straight
Color	Red
Contact Termination	Crimp
Mounting Type	Cable Mount
Mating Cycles	>500
Terminal	6mm

Material Specification

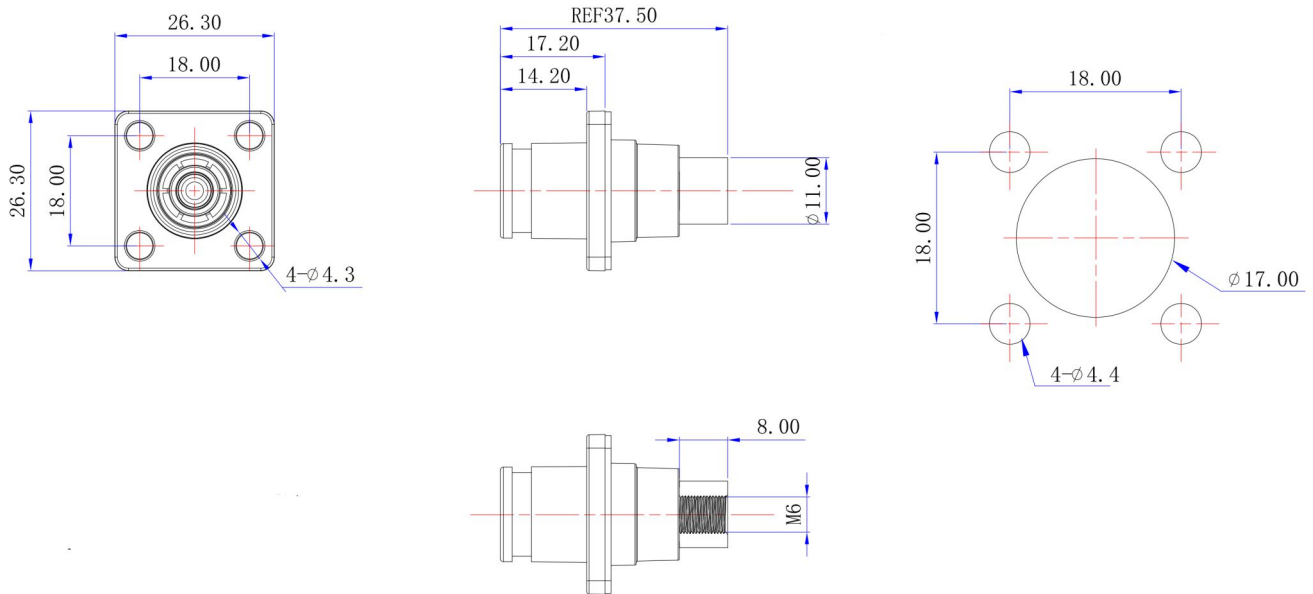
Shell Material	Nylon
Contact Finish	Silver Plating

Environmental Specification

Operating Temperature	-40°C to +125°C
Flammability	UL94 V-0
Ingress Protection	IP67

Electrical Specification

Rated Voltage	1000V
Insulation Resistance	$\geq 1000M\Omega$

Size

Disclaimer

The information in this specification is subject to change without notice. Please confirm the latest version before use. Technical parameters are for reference only, and sufficient testing and verification should be conducted in actual applications.