



Energy Battery Storage Connector Plug Male Right Angle 100A 6mm 16mm² IP67 Red

Part Number:

RHT.P006.C16.RD



Basic Information

| | |
|---------------------|-------------------|
| Connector Type | Plug |
| Orientation | Right Angle |
| Color | Red |
| Contact Size | 6mm |
| Wire Gauge | 16mm ² |
| Contact Termination | Crimp |
| Mounting Type | Cable Mount |
| Mating Cycles | >500 |

Material Specification

| | |
|----------------|----------------|
| Shell Material | Nylon |
| Contact Finish | Silver Plating |

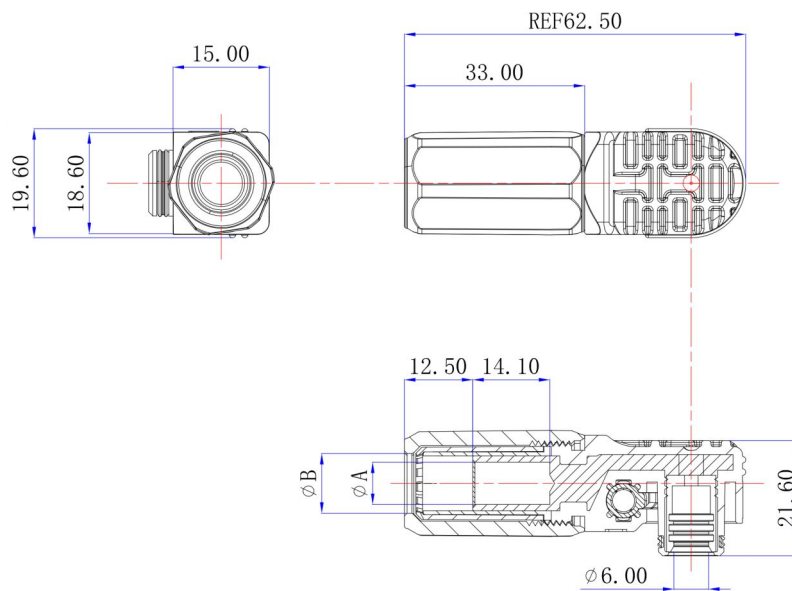
Environmental Specification

| | |
|-----------------------|-----------------|
| Operating Temperature | -40°C to +125°C |
| Flammability | UL94 V-0 |
| Ingress Protection | IP67 |

Electrical Specification

| | |
|-----------------------|---------|
| Rated Current | 100A |
| Rated Voltage | 1000V |
| Insulation Resistance | ≥1000MΩ |

Size



Disclaimer

The information in this specification is subject to change without notice. Please confirm the latest version before use. Technical parameters are for reference only, and sufficient testing and verification should be conducted in actual applications.