



Energy Battery Storage Connector plug Male Right Angle 60A 6mm 10mm2 IP67 Red

Part Number:

**RHT.P006.C10.RD**



### Basic Information

Connector Type	Plug
Orientation	Right Angle
Color	Red
Contact Size	6mm
Wire Gauge	10mm <sup>2</sup>
Contact Termination	Crimp
Mounting Type	Cable Mount
Mating Cycles	>500

### Material Specification

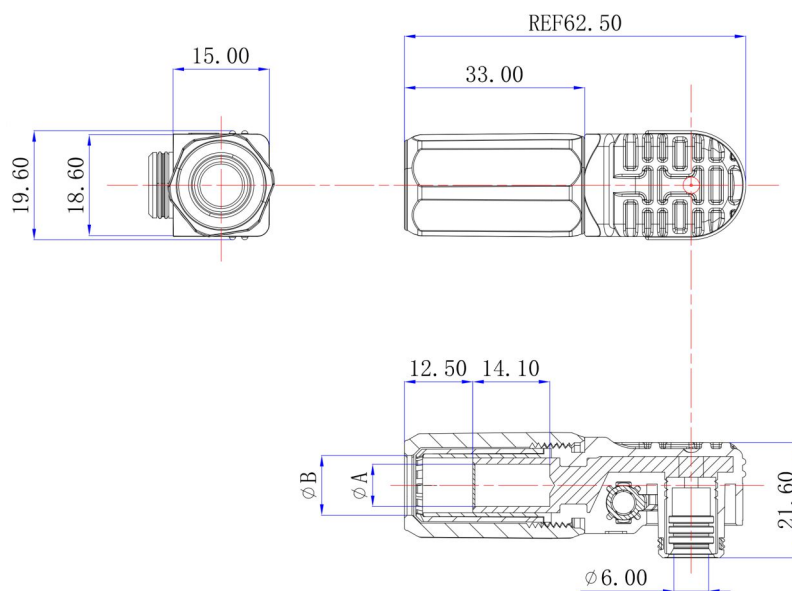
Shell Material	Nylon
Contact Finish	Silver Plating

**Environmental Specification**

Operating Temperature	-40°C to +125°C
Flammability	UL94 V-0
Ingress Protection	IP67

**Electrical Specification**

Rated Current	60A
Rated Voltage	1000V
Insulation Resistance	≥1000MΩ

**Size**

**Disclaimer**

The information in this specification is subject to change without notice. Please confirm the latest version before use. Technical parameters are for reference only, and sufficient testing and verification should be conducted in actual applications.