



Panel Feed Through Terminal Block 2 Pin 200A 600V
80mm²

Part Number:

RHT-PG80-00-27.0-02P-C-200A



Basic Information

Color	Black, Red
Number of Input Positions	2
Number of Output Positions	2
Circuit Configuration	Customizable, Single In/Out, Two In One Out
Terminal Block Type	Bulkhead Terminal Block

Mechanical Specification

Bottom Termination	Screw
Docking Method	Thread
Mounting Type	Panel Mount
Orientation	Straight
Pitch	27mm
Top Termination	Screw with Fastening Plate
Wire Gauge	80mm ²

Material Specification

Flammability	VO
Insulation Material	PBT
Terminal Material	Cooper

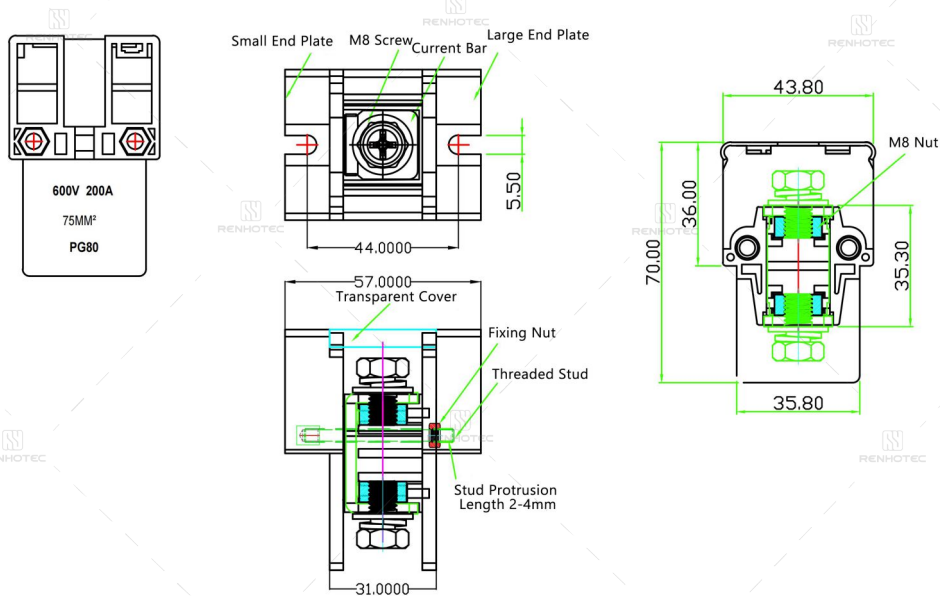
Electrical Specification

Insulation Resistance	DC 500V 1000MΩ or more
Rated Current	200A
Rated Voltage	600V
Withstand Voltage Value	AC 3000V

Environmental Specification

Operating Temperature	-40°C to +105°C
Relative Humidity	5% to 95%

Size



How to Order

RHT PG80 00 27.0 02P C 200A

Code	Description	Options	
RHT	Brand	Renhotec	
PG80	Design Series	PG8 PG38 NDT-4	PG22 PG80
00	Center Jumper Type	00 Standard Center Jumper 12 Standard Center Jumper...	11 Standard Center Jumper
27.0	Terminal Pitch	11.0mm 16.0mm 27.0mm...	13.0mm 21.0mm
02P	Number of Positions	2 Positions 4 Positions	3 Positions 5 Positions
C	Cover	With Cover	
200A	Rated Current	30A 75A 200A	50A 100A 250A

Disclaimer

The information in this specification is subject to change without notice. Please confirm the latest version before use. Technical parameters are for reference only, and sufficient testing and verification should be conducted in actual applications.