


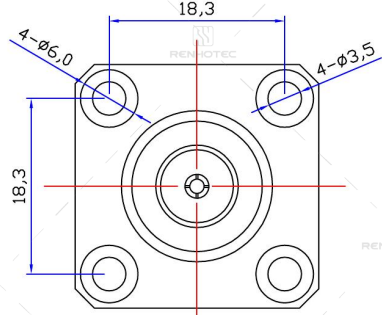
**N Type Connector Straight Jack Solder Type For RG402 50ohm - RHT-614-0228**

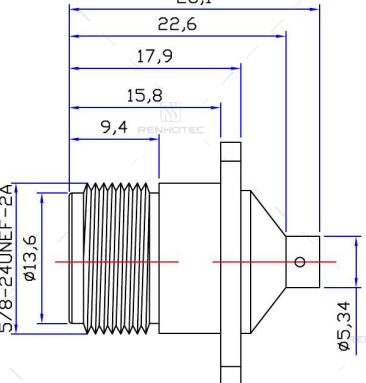


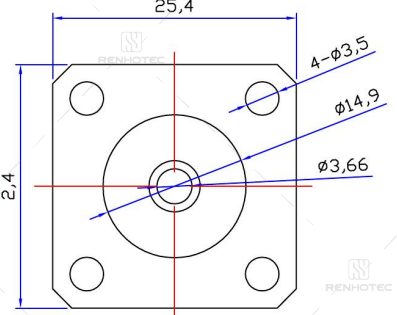
**Drawing**

				Product No. RHT-614-0228	
				REV A	DESCRIPTION First issue







**Specifications**  
 Impedance: 50 Ohms  
 Frequency Range: 0-6G  
 VSWR: 1.5MAX  
 Working Voltage: 1000 VRMS (max at sea level)  
 Dielectric Withstanding Voltage: 1500 vrms (max at sea level)  
 Insulation Resistance: 5000 MOhms min  
 Durability Mating: 500 Cycles min  
 Temperature Range: -65°C TO +165°C

NO	DESCRIPTION	MATERIAL	FINISH	QTY
3	PIN	BRASS	GOLD	1
2	INSURATON	PTFE	NONE	1
1	BODY	BRASS	NICKEL	1

-TOLERANCES- UNLESS OTHERWISE SPECIFIED UNLESS OTHERWISE SPECIFIED TOLERANCES FOR MILLIMETERS ARE: 0.5 - 8mm ± 0.20mm 8 - 30mm ± 0.40mm 30 - 120mm ± 0.50mm		<b>RENHOTECH</b> <b>RENHOTECH GROUP</b> www.renhotec.com	
Appd: JIM.KING	PART DESCRIPTION: N JACK FOR RG402 CABLE		
Check: Gavin	Date: 2018/03/12	Scale: Free	Unit: MM
Draw: Gavin	Date: 2018/03/12	Scale: Free	Unit: MM
			Type: Z
			Page: 1/1

**Basic Information**

<b>Cable Type</b>	RG402
<b>Connector Type</b>	Jack
<b>Contact Termination Style</b>	Solder
<b>Fastening Type</b>	Threaded
<b>Mounting Feature</b>	4 Hole Flange
<b>Mounting Type</b>	Panel Mount
<b>Number of Ports</b>	1
<b>Orientation</b>	Straight
<b>Shield Termination</b>	Solder

**Mechanical Specification**

<b>Contact Retention</b>	6 lbs min.
<b>Coupling Nut Retention</b>	30 in-lbs. MIN
<b>Mating Durability</b>	≥ 500 Cycles

**Environmental Specification**

<b>Corrosion Resistance</b>	MIL-STD-202 Meth. 101
<b>Ingress Protection</b>	IP65
<b>Operating Temperature</b>	-65°C to +165°C
<b>Vibration</b>	MIL-STD-202 Meth. 204

**Electrical Specification**

<b>Dielectric Withstanding Voltage</b>	2500 V rms
<b>Withstand Voltage</b>	1500V RMS Max

**Material and Finish**

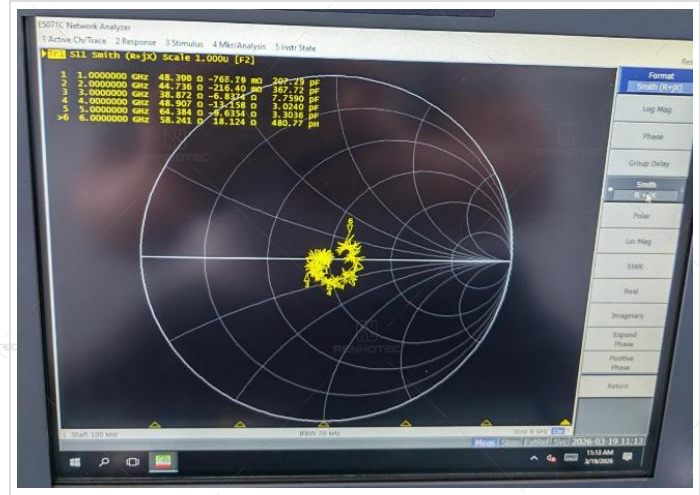
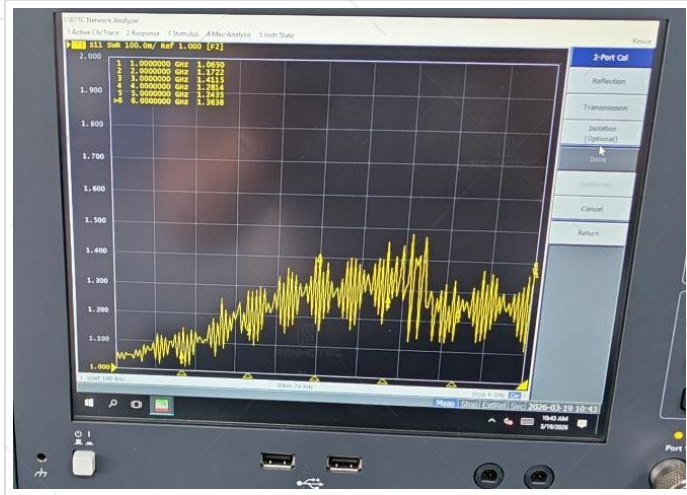
Component Description	Material	Finish
Shell	Copper Alloy	Nickel Plated
Insulator	Teflon White	
Contact	Brass	Gold Plated

**Impedance Testing**

<b>Impedance</b>	50Ω
------------------	-----

**Frequency & VSWR Test Report**

Frequency Range	DC-11 GHz
VSWR	R/A type ≤ 1.5MAX, Straight type ≤ 1.3 MAX



**Contact Resistance Test**

Contact Type	Female Pin
Center Contact Resistance	≅ 1.0 MΩ (Milliohms Max.)
Outer Contact Resistance	≅ 0.2 MΩ (Milliohms Max.)



**Working Voltage & Insulation Resistance Test**

Working Voltage	1000 V rms
Insulation Resistance	$\geq 5 \times 10^3 M\Omega$ (Megohms MIN.)



**Version History**

REV	Date	Revise Contents	Drafter	Approver
A.0	2026.6.18	The initial formulation	Esther	Joson

**Disclaimer**

The information in this specification is subject to change without notice. Please confirm the latest version before use. Technical parameters are for reference only, and sufficient testing and verification should be conducted in actual applications.