
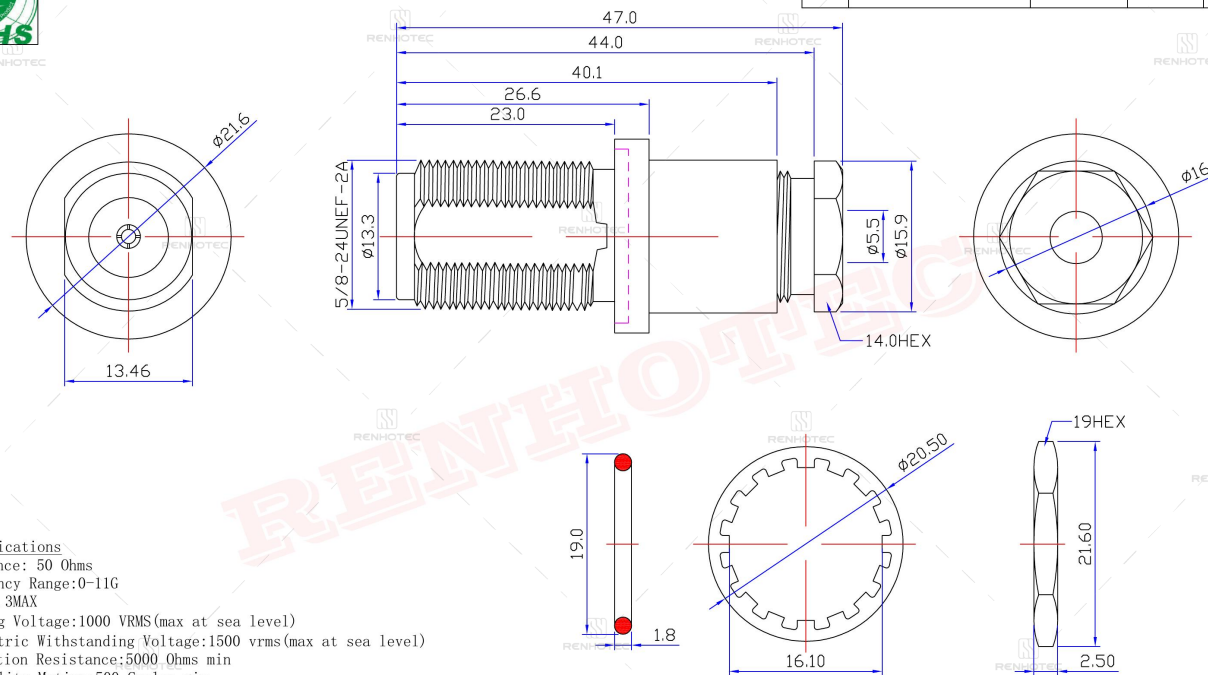


N Type Connector Jack Straight Clamp Panel Mount Bulkhead 50ohm - RHT-614-0225



Drawing

				Product NO. RHT-614-0225																																																												
		<table border="1" style="width: 100%; border-collapse: collapse;"> <tr> <th>REV</th> <th>DESCRIPTION</th> <th>DWN</th> <th>DATE</th> <th>APPROVEN</th> </tr> <tr> <td>A</td> <td>First issue</td> <td>Gavin</td> <td>2018/03/12</td> <td>JIM.KING</td> </tr> </table>		REV	DESCRIPTION	DWN	DATE	APPROVEN	A	First issue	Gavin	2018/03/12	JIM.KING																																																			
		REV	DESCRIPTION	DWN	DATE	APPROVEN																																																										
A	First issue	Gavin	2018/03/12	JIM.KING																																																												
<p>Specifications Impedance: 50 Ohms Frequency Range: 0-11G VSWR: 1.3MAX Working Voltage: 1000 VRMS (max at sea level) Dielectric Withstanding Voltage: 1500 vrms (max at sea level) Insulation Resistance: 5000 Ohms min Durability Mating: 500 Cycles min Temperature Range: -65°C TO +165°C</p>																																																																
<table border="1" style="width: 100%; border-collapse: collapse;"> <thead> <tr> <th>NO</th> <th>DESCRIPTION</th> <th>MATERIAL</th> <th>FINISH</th> <th>QTY</th> </tr> </thead> <tbody> <tr> <td>6</td> <td>NUT</td> <td>BRASS</td> <td>NICKEL</td> <td>1</td> </tr> <tr> <td>5</td> <td>GASKET</td> <td>BRASS</td> <td>NICKEL</td> <td>1</td> </tr> <tr> <td>4</td> <td>O-RING</td> <td>EPDM</td> <td>RED</td> <td>1</td> </tr> <tr> <td>3</td> <td>PIN</td> <td>BRASS</td> <td>GOLD</td> <td>1</td> </tr> <tr> <td>2</td> <td>INSURATON</td> <td>TEFLON</td> <td>WHITE</td> <td>1</td> </tr> <tr> <td>1</td> <td>BODY</td> <td>BRASS</td> <td>NICKEL</td> <td>1</td> </tr> </tbody> </table>				NO	DESCRIPTION	MATERIAL	FINISH	QTY	6	NUT	BRASS	NICKEL	1	5	GASKET	BRASS	NICKEL	1	4	O-RING	EPDM	RED	1	3	PIN	BRASS	GOLD	1	2	INSURATON	TEFLON	WHITE	1	1	BODY	BRASS	NICKEL	1	<table border="1" style="width: 100%; border-collapse: collapse;"> <tr> <td colspan="2" style="text-align: center;"> RENHOTECH www.renhotec.com </td> <td colspan="2" style="text-align: center;"> RENHOTECH GROUP </td> </tr> <tr> <td colspan="2"> Appd: JIM.KING </td> <td colspan="2"> PART DESCRIPTION: N JACK FOR RG58 CABLE </td> </tr> <tr> <td colspan="2"> Check: </td> <td colspan="2"> P/N: RHT-614-0225 </td> </tr> <tr> <td colspan="2"> Draw: Gavin </td> <td> Date: 2018/03/12 </td> <td> Scale: Free </td> </tr> <tr> <td colspan="2"></td> <td> Unit: MM </td> <td> Type: Z </td> </tr> <tr> <td colspan="2"></td> <td> Page: 1/1 </td> <td></td> </tr> </table>		RENHOTECH www.renhotec.com		RENHOTECH GROUP		Appd: JIM.KING		PART DESCRIPTION: N JACK FOR RG58 CABLE		Check:		P/N: RHT-614-0225		Draw: Gavin		Date: 2018/03/12	Scale: Free			Unit: MM	Type: Z			Page: 1/1	
NO	DESCRIPTION	MATERIAL	FINISH	QTY																																																												
6	NUT	BRASS	NICKEL	1																																																												
5	GASKET	BRASS	NICKEL	1																																																												
4	O-RING	EPDM	RED	1																																																												
3	PIN	BRASS	GOLD	1																																																												
2	INSURATON	TEFLON	WHITE	1																																																												
1	BODY	BRASS	NICKEL	1																																																												
RENHOTECH www.renhotec.com		RENHOTECH GROUP																																																														
Appd: JIM.KING		PART DESCRIPTION: N JACK FOR RG58 CABLE																																																														
Check:		P/N: RHT-614-0225																																																														
Draw: Gavin		Date: 2018/03/12	Scale: Free																																																													
		Unit: MM	Type: Z																																																													
		Page: 1/1																																																														
<table border="1" style="width: 100%; border-collapse: collapse;"> <tr> <td style="width: 15%;"></td> <td style="width: 15%;"></td> <td style="width: 15%;"></td> <td style="width: 15%;"></td> <td style="width: 15%;"></td> <td style="width: 15%;"></td> </tr> </table>																																																																

Basic Information

Connector Type	Jack
Fastening Type	Threaded
Mounting Feature	Bulkhead
Mounting Type	Panel Mount
Number of Ports	1
Orientation	Straight
Shield Termination	Clamp

Mechanical Specification

Contact Retention	6 lbs min.
Coupling Nut Retention	30 in-lbs. MIN
Mating Durability	≥ 500 Cycles

Environmental Specification

Corrosion Resistance	MIL-STD-202 Meth. 101
Ingress Protection	IP65
Operating Temperature	-65°C to +165°C
Vibration	MIL-STD-202 Meth. 204

Electrical Specification

Dielectric Withstanding Voltage	2500 V rms
Withstand Voltage	1500V RMS Max

Material and Finish

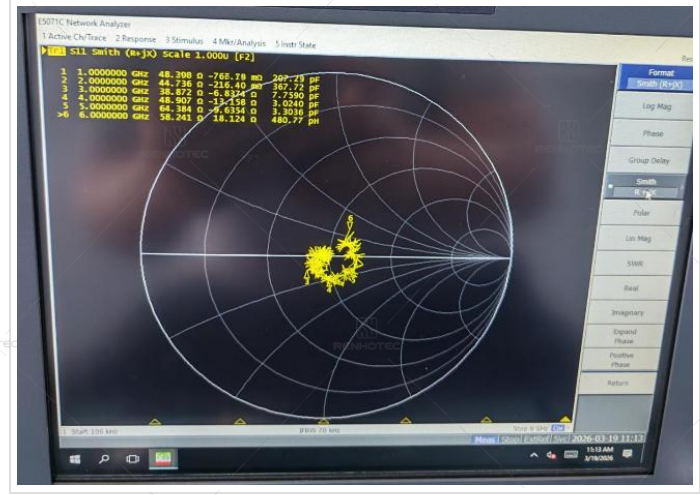
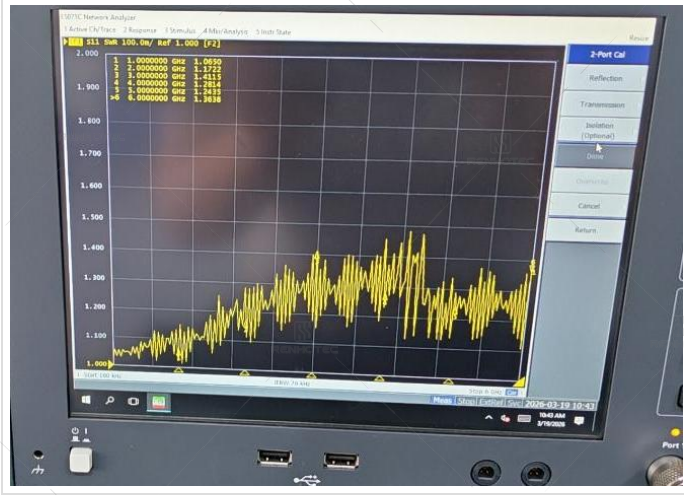
Component Description	Material	Finish
Shell	Copper Alloy	Nickel Plated
Insulator	Teflon White	
Contact	Brass	Gold Plated

Impedance Testing

Impedance	50Ω
-----------	-----

Frequency & VSWR Test Report

Frequency Range	DC-11 GHz
VSWR	R/A type ≤ 1.5MAX, Straight type ≤ 1.3 MAX



Contact Resistance Test

Contact Type	Female Pin
Center Contact Resistance	≅ 1.0 MΩ (Milliohms Max.)
Outer Contact Resistance	≅ 0.2 MΩ (Milliohms Max.)



Working Voltage & Insulation Resistance Test

Working Voltage	1000 V rms
Insulation Resistance	$\geq 5 \times 10^3 M\Omega$ (Megohms MIN.)



Version History

REV	Date	Revise Contents	Drafter	Approver
A.0	2026.6.18	The initial formulation	Esther	Joson

Disclaimer

The information in this specification is subject to change without notice. Please confirm the latest version before use. Technical parameters are for reference only, and sufficient testing and verification should be conducted in actual applications.