
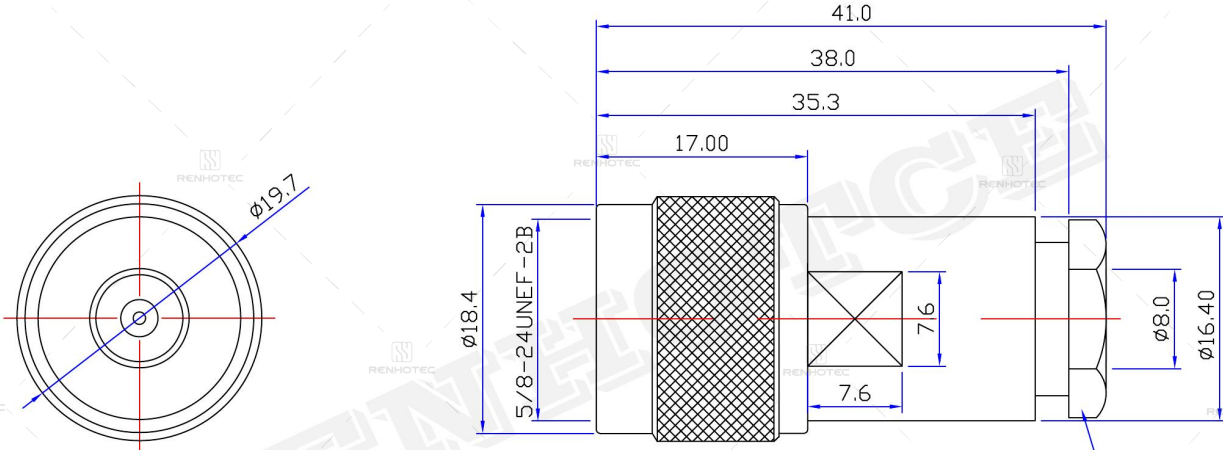


**N Type Connector Male Straight Clamp Cable Type 50ohm - RHT-614-0222**



**Drawing**

		Product No. RHT-614-0222																																			
		REV A	DESCRIPTION First issue	DWN Gavin	DATE 2018/03/12	APPROVEN JIM.KING																															
A					A																																
B					B																																
C					C																																
D					D																																
<p><b>Specifications</b>                      Impedance: 50 Ohms                      Frequency Range:0-6G                      VSWR:1.3MAX                      Working Voltage:1000 VRMS(max at sea level)                      Dielectric Withstanding Voltage:1500 vrms(max at sea level)                      Insulation Resistance:5000 Ohms min                      Durability Mating:500 Cycles min                      Temperature Range:-65°C T0 +165°C</p> <table border="1" style="width:100%; border-collapse: collapse;"> <tr> <td style="width:5%;">3</td> <td style="width:20%;">PIN</td> <td style="width:15%;">BRASS</td> <td style="width:15%;">GOLD</td> <td style="width:5%;">1</td> </tr> <tr> <td>2</td> <td>INSULATON</td> <td>TEFLON</td> <td>WHITE</td> <td>1</td> </tr> <tr> <td>1</td> <td>BODY</td> <td>BRASS</td> <td>NICKEL</td> <td>1</td> </tr> <tr> <td>NO</td> <td>DESCRIPTION</td> <td>MATERIAL</td> <td>FINISH</td> <td>QTY</td> </tr> </table>		3	PIN	BRASS	GOLD	1	2	INSULATON	TEFLON	WHITE	1	1	BODY	BRASS	NICKEL	1	NO	DESCRIPTION	MATERIAL	FINISH	QTY	<p style="text-align: center;">-TOLERANCES- UNLESS OTHERWISE SPECIFIED</p> <p style="text-align: center;">UNLESS OTHERWISE SPECIFIED TOLERANCES FOR MILLIMETERS ARE:                      0.5 - 8mm ± 0.20mm                      8 - 30mm ± 0.40mm                      30 -120mm ± 0.50mm</p>		<p style="text-align: center;"><b>RENHOTECH</b> www.renhotec.com</p> <p style="text-align: center;"><b>RENHOTECH GROUP</b></p> <p style="text-align: center;">PART DESCRIPTION: N PLUG FOR RG6 CABLE</p> <p style="text-align: center;">Appd: JIM.KING P/N: RHT-614-0222</p> <table border="1" style="width:100%; border-collapse: collapse;"> <tr> <td style="width:15%;">Check:</td> <td style="width:15%;">Date</td> <td style="width:15%;">Scale</td> <td style="width:15%;">Unit</td> <td style="width:15%;">Type</td> <td style="width:15%;">Page</td> </tr> <tr> <td>Draw: Gavin</td> <td>2018/03/12</td> <td>Free</td> <td>MM</td> <td>Z</td> <td>1/1</td> </tr> </table>		Check:	Date	Scale	Unit	Type	Page	Draw: Gavin	2018/03/12	Free	MM	Z	1/1
3	PIN	BRASS	GOLD	1																																	
2	INSULATON	TEFLON	WHITE	1																																	
1	BODY	BRASS	NICKEL	1																																	
NO	DESCRIPTION	MATERIAL	FINISH	QTY																																	
Check:	Date	Scale	Unit	Type	Page																																
Draw: Gavin	2018/03/12	Free	MM	Z	1/1																																
E					E																																
1	2	3	4	5	6																																

## Basic Information

Connector Type	Plug
Fastening Type	Threaded
Mounting Type	Cable Mount
Number of Ports	1
Orientation	Straight
Shield Termination	Clamp

## Mechanical Specification

Contact Retention	6 lbs min.
Coupling Nut Retention	30 in-lbs. MIN
Mating Durability	≥ 500 Cycles

## Environmental Specification

Corrosion Resistance	MIL-STD-202 Meth. 101
Ingress Protection	IP65
Operating Temperature	-65°C to +165°C
Vibration	MIL-STD-202 Meth. 204

## Electrical Specification

Dielectric Withstanding Voltage	2500 V rms
Withstand Voltage	1500V RMS Max

## Material and Finish

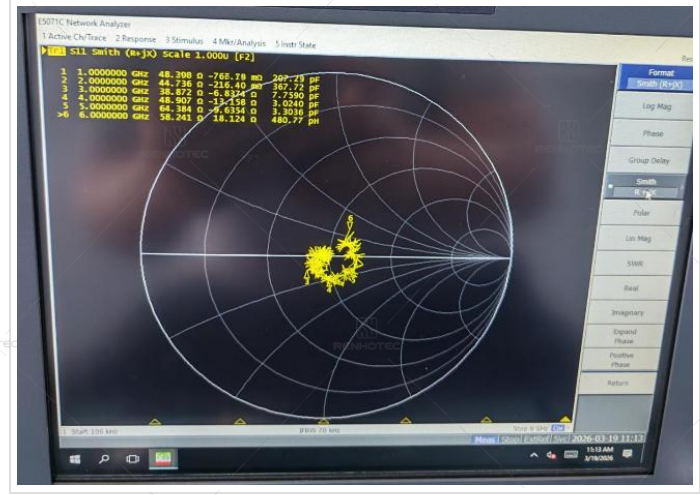
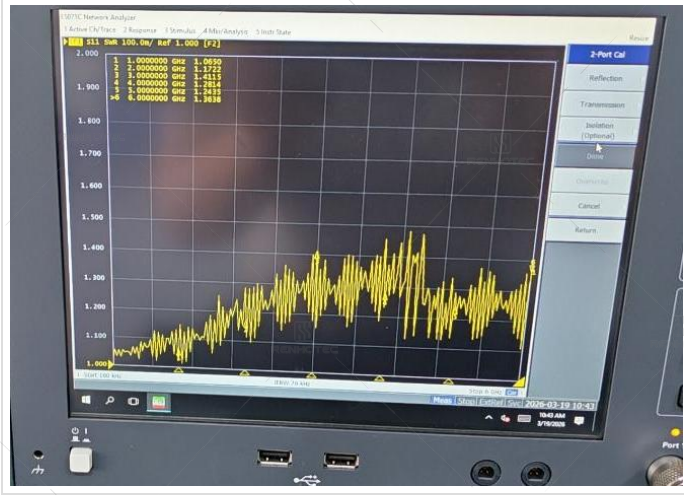
Component Description	Material	Finish
Shell	Copper Alloy	Nickel Plated
Insulator	Teflon White	
Contact	Brass	Gold Plated

## Impedance Testing

Impedance	50Ω
-----------	-----

**Frequency & VSWR Test Report**

Frequency Range	DC-11 GHz
VSWR	R/A type ≤ 1.5MAX, Straight type ≤ 1.3 MAX



**Contact Resistance Test**

Contact Type	Male Pin
Center Contact Resistance	≅ 1.0 MΩ (Milliohms Max.)
Outer Contact Resistance	≅ 0.2 MΩ (Milliohms Max.)



**Working Voltage & Insulation Resistance Test**

Working Voltage	1000 V rms
Insulation Resistance	≥5 × 10 <sup>3</sup> MΩ (Megohms MIN.)



**Version History**

REV	Date	Revise Contents	Drafter	Approver
A.0	2026.6.18	The initial formulation	Esther	Joson

**Disclaimer**

The information in this specification is subject to change without notice. Please confirm the latest version before use. Technical parameters are for reference only, and sufficient testing and verification should be conducted in actual applications.