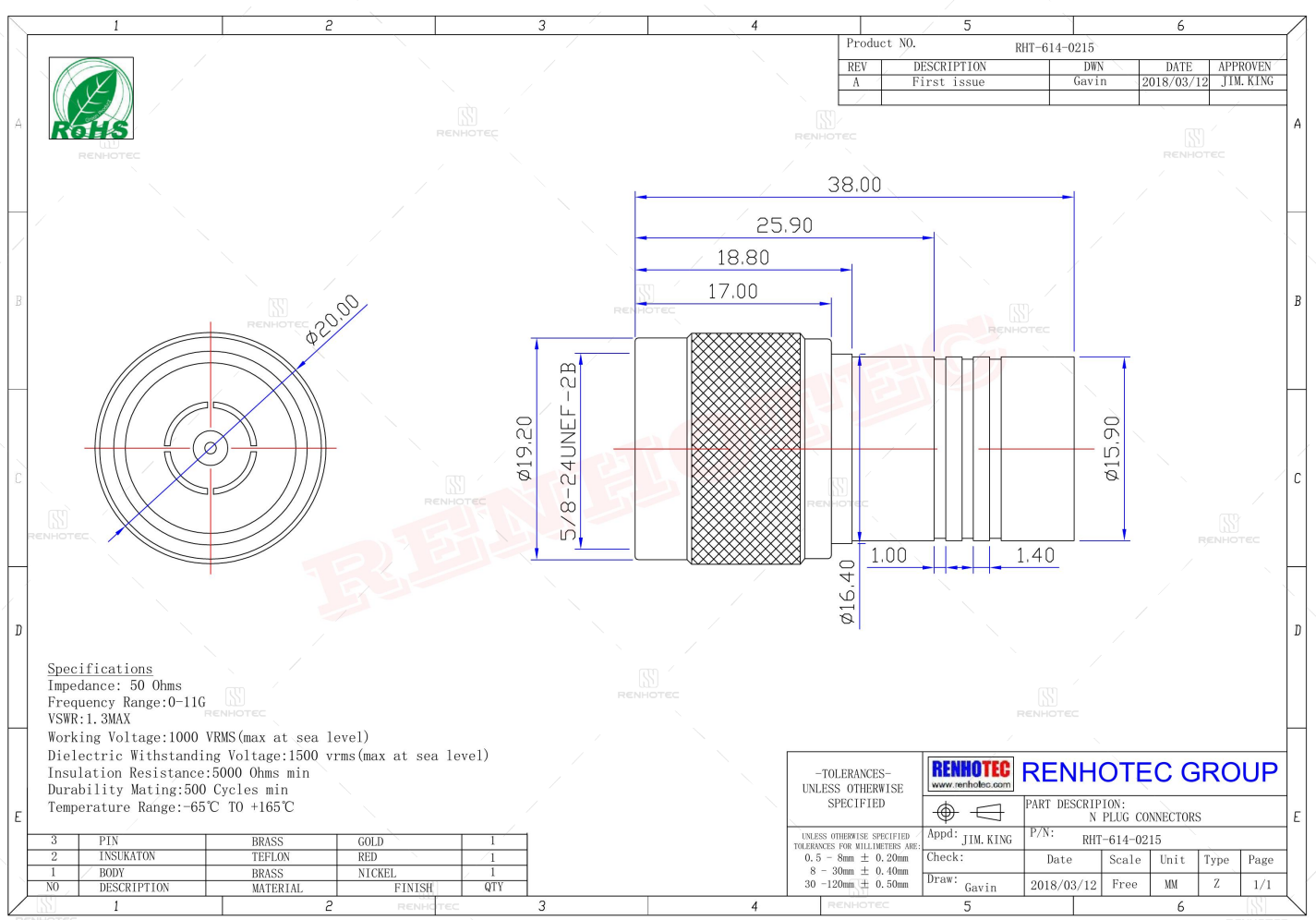


**N Type Connector Male Straight Cable Type 50ohm - RHT-614-0215**



**Drawing**



**Basic Information**

Connector Type	Plug
Fastening Type	Threaded
Mounting Type	Cable Mount
Number of Ports	1
Orientation	Straight

**Mechanical Specification**

Contact Retention	6 lbs min.
Coupling Nut Retention	30 in-lbs. MIN
Mating Durability	≥ 500 Cycles

**Environmental Specification**

Corrosion Resistance	MIL-STD-202 Meth. 101
Ingress Protection	IP65
Operating Temperature	-65°C to +165°C
Vibration	MIL-STD-202 Meth. 204

**Electrical Specification**

Dielectric Withstanding Voltage	2500 V rms
Withstand Voltage	1500V RMS Max

**Material and Finish**

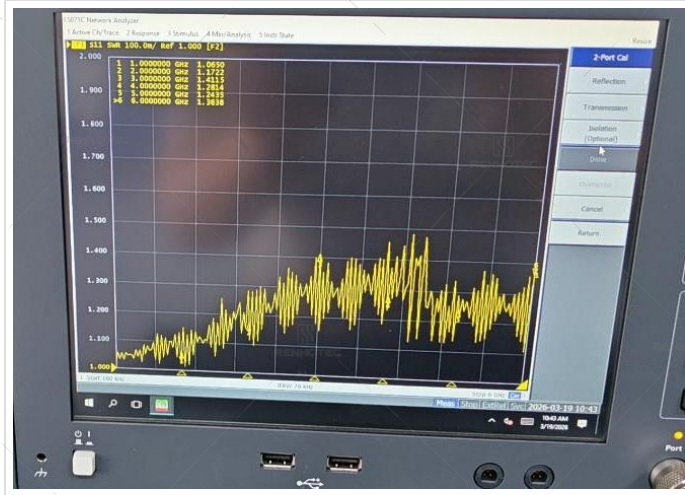
Component Description	Material	Finish
Shell	Copper Alloy	Nickel Plated
Insulator	Teflon White	
Contact	Brass	Gold Plated

**Impedance Testing**

Impedance	50Ω
-----------	-----

**Frequency & VSWR Test Report**

Frequency Range	DC-11 GHz
VSWR	R/A type ≤ 1.5MAX, Straight type ≤ 1.3 MAX



**Contact Resistance Test**

Contact Type	Male Pin
Center Contact Resistance	≅ 1.0 MΩ (Milliohms Max.)
Outer Contact Resistance	≅ 0.2 MΩ (Milliohms Max.)



**Working Voltage & Insulation Resistance Test**

Working Voltage	1000 V rms
Insulation Resistance	$\geq 5 \times 10^3 M\Omega$ (Megohms MIN.)



**Version History**

REV	Date	Revise Contents	Drafter	Approver
A.0	2026.6.18	The initial formulation	Esther	Joson

**Disclaimer**

The information in this specification is subject to change without notice. Please confirm the latest version before use. Technical parameters are for reference only, and sufficient testing and verification should be conducted in actual applications.