
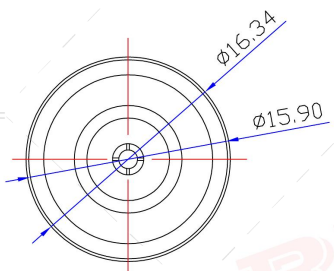
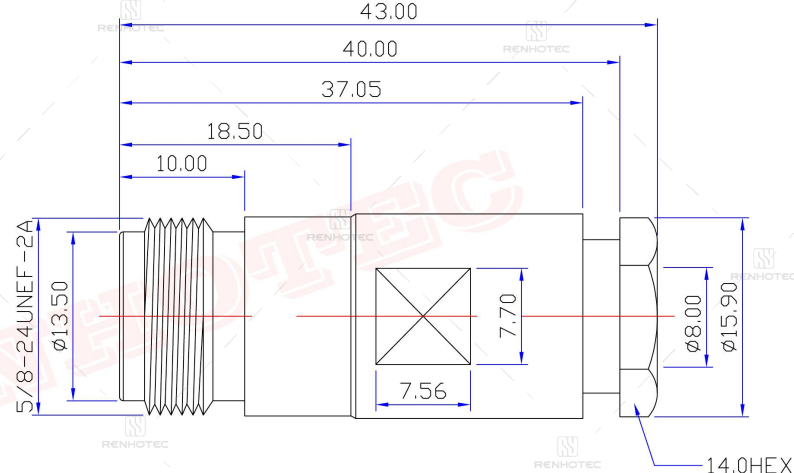


**N Type Connector Jack Straight Clamp Cable Type 50ohm - RHT-614-0194**



**Drawing**

			<table border="1" style="width: 100%; border-collapse: collapse;"> <tr> <td colspan="2">Product No.</td> <td colspan="2">RHT-614-0194</td> <td colspan="2"></td> </tr> <tr> <td>REV</td> <td>DESCRIPTION</td> <td>DWN</td> <td>DATE</td> <td colspan="2">APPROVEN</td> </tr> <tr> <td>A</td> <td>First issue</td> <td>Gavin</td> <td>2018/03/12</td> <td colspan="2">JIM KING</td> </tr> </table>			Product No.		RHT-614-0194				REV	DESCRIPTION	DWN	DATE	APPROVEN		A	First issue	Gavin	2018/03/12	JIM KING													
Product No.		RHT-614-0194																																	
REV	DESCRIPTION	DWN	DATE	APPROVEN																															
A	First issue	Gavin	2018/03/12	JIM KING																															
																																			
<p><b>Specifications</b>                  Impedance: 50 Ohms                  Frequency Range: 0-11G                  VSWR: 1.3MAX                  Working Voltage: 1000 VRMS (max at sea level)                  Dielectric Withstanding Voltage: 1500 vrms (max at sea level)                  Insulation Resistance: 5000 Ohms min                  Durability Mating: 500 Cycles min                  Temperature Range: -65°C TO +165°C</p>			<table border="1" style="width: 100%; border-collapse: collapse;"> <tr> <td colspan="2">-TOLERANCES- UNLESS OTHERWISE SPECIFIED</td> <td colspan="2" style="text-align: center;"><b>RENHOTEK</b> <small>www.renhotec.com</small></td> <td colspan="2" style="text-align: center;"><b>RENHOTEK GROUP</b></td> </tr> <tr> <td colspan="2"> <small>UNLESS OTHERWISE SPECIFIED TOLERANCES FOR MILLIMETERS ARE:</small>                      0.5 - 8mm ± 0.20mm                      8 - 30mm ± 0.40mm                      30 - 120mm ± 0.50mm                 </td> <td colspan="2">                     PART DESCRIPTION:                      N JACK FOR RG59 CABLE                 </td> <td colspan="2">                     P/N: RHT-614-0194                 </td> </tr> <tr> <td>Appd:</td> <td>JIM KING</td> <td>Date:</td> <td>2018/03/12</td> <td>Scale:</td> <td>Free</td> </tr> <tr> <td>Check:</td> <td>Gavin</td> <td>Unit:</td> <td>MM</td> <td>Type:</td> <td>Z</td> </tr> <tr> <td>Draw:</td> <td>Gavin</td> <td>Page:</td> <td>1/1</td> <td></td> <td></td> </tr> </table>			-TOLERANCES- UNLESS OTHERWISE SPECIFIED		<b>RENHOTEK</b> <small>www.renhotec.com</small>		<b>RENHOTEK GROUP</b>		<small>UNLESS OTHERWISE SPECIFIED TOLERANCES FOR MILLIMETERS ARE:</small> 0.5 - 8mm ± 0.20mm 8 - 30mm ± 0.40mm 30 - 120mm ± 0.50mm		PART DESCRIPTION: N JACK FOR RG59 CABLE		P/N: RHT-614-0194		Appd:	JIM KING	Date:	2018/03/12	Scale:	Free	Check:	Gavin	Unit:	MM	Type:	Z	Draw:	Gavin	Page:	1/1		
-TOLERANCES- UNLESS OTHERWISE SPECIFIED		<b>RENHOTEK</b> <small>www.renhotec.com</small>		<b>RENHOTEK GROUP</b>																															
<small>UNLESS OTHERWISE SPECIFIED TOLERANCES FOR MILLIMETERS ARE:</small> 0.5 - 8mm ± 0.20mm 8 - 30mm ± 0.40mm 30 - 120mm ± 0.50mm		PART DESCRIPTION: N JACK FOR RG59 CABLE		P/N: RHT-614-0194																															
Appd:	JIM KING	Date:	2018/03/12	Scale:	Free																														
Check:	Gavin	Unit:	MM	Type:	Z																														
Draw:	Gavin	Page:	1/1																																
<table border="1" style="width: 100%; border-collapse: collapse;"> <tr> <td>3</td> <td>PIN</td> <td>BRASS</td> <td>GOLD</td> <td>1</td> </tr> <tr> <td>2</td> <td>INSUKATON</td> <td>TEFLON</td> <td>WHITE</td> <td>1</td> </tr> <tr> <td>1</td> <td>BODY</td> <td>BRASS</td> <td>NICKEL</td> <td>1</td> </tr> <tr> <td>NO</td> <td>DESCRIPTION</td> <td>MATERIAL</td> <td>FINISH</td> <td>QTY</td> </tr> </table>			3	PIN	BRASS	GOLD	1	2	INSUKATON	TEFLON	WHITE	1	1	BODY	BRASS	NICKEL	1	NO	DESCRIPTION	MATERIAL	FINISH	QTY													
3	PIN	BRASS	GOLD	1																															
2	INSUKATON	TEFLON	WHITE	1																															
1	BODY	BRASS	NICKEL	1																															
NO	DESCRIPTION	MATERIAL	FINISH	QTY																															

**Basic Information**

<b>Connector Type</b>	Jack
<b>Fastening Type</b>	Threaded
<b>Mounting Type</b>	Cable Mount
<b>Number of Ports</b>	1
<b>Orientation</b>	Straight
<b>Shield Termination</b>	Clamp

**Mechanical Specification**

<b>Contact Retention</b>	6 lbs min.
<b>Coupling Nut Retention</b>	30 in-lbs. MIN
<b>Mating Durability</b>	≥ 500 Cycles

**Environmental Specification**

<b>Corrosion Resistance</b>	MIL-STD-202 Meth. 101
<b>Ingress Protection</b>	IP65
<b>Operating Temperature</b>	-65°C to +165°C
<b>Vibration</b>	MIL-STD-202 Meth. 204

**Electrical Specification**

<b>Dielectric Withstanding Voltage</b>	2500 V rms
<b>Withstand Voltage</b>	1500V RMS Max

**Material and Finish**

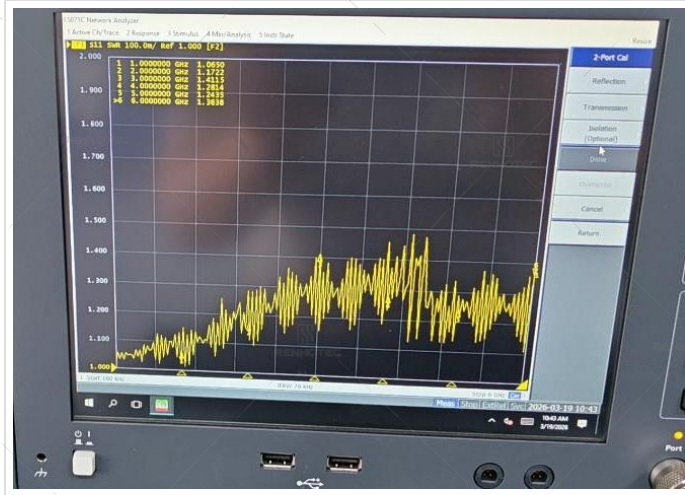
Component Description	Material	Finish
Shell	Copper Alloy	Nickel Plated
Insulator	Teflon White	
Contact	Brass	Gold Plated

**Impedance Testing**

<b>Impedance</b>	50Ω
------------------	-----

**Frequency & VSWR Test Report**

Frequency Range	DC-11 GHz
VSWR	R/A type ≤ 1.5MAX, Straight type ≤ 1.3 MAX



**Contact Resistance Test**

Contact Type	Female Pin
Center Contact Resistance	≅ 1.0 MΩ (Milliohms Max.)
Outer Contact Resistance	≅ 0.2 MΩ (Milliohms Max.)



**Working Voltage & Insulation Resistance Test**

Working Voltage	1000 V rms
Insulation Resistance	$\geq 5 \times 10^3 M\Omega$ (Megohms MIN.)



**Version History**

REV	Date	Revise Contents	Drafter	Approver
A.0	2026.6.18	The initial formulation	Esther	Joson

**Disclaimer**

The information in this specification is subject to change without notice. Please confirm the latest version before use. Technical parameters are for reference only, and sufficient testing and verification should be conducted in actual applications.