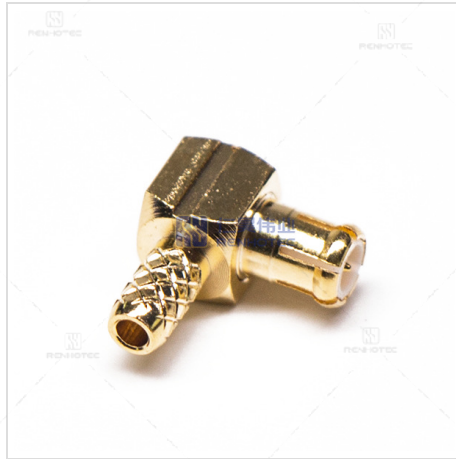

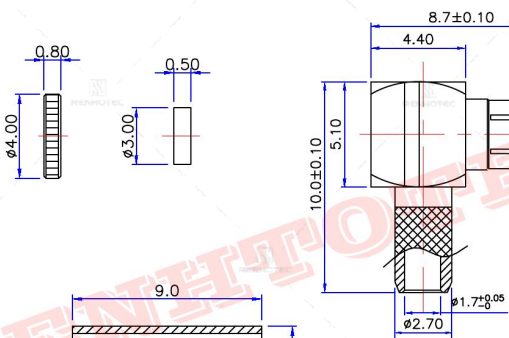





MCX Connector Male Crimp Type RG316 Cable - RHT-617-0130



Drawing

		<table border="1" style="width: 100%; border-collapse: collapse;"> <tr> <td>Product NO.</td> <td colspan="4">RHT-617-0130</td> </tr> <tr> <td>REV</td> <td>DESCRIPTION</td> <td>DWN</td> <td>DATE</td> <td>APPROVEN</td> </tr> <tr> <td>A</td> <td>First Issue</td> <td>Mr. CHEN</td> <td>2016/9/03</td> <td>John kine</td> </tr> </table>	Product NO.	RHT-617-0130				REV	DESCRIPTION	DWN	DATE	APPROVEN	A	First Issue	Mr. CHEN	2016/9/03	John kine																																																																																																																			
Product NO.	RHT-617-0130																																																																																																																																			
REV	DESCRIPTION	DWN	DATE	APPROVEN																																																																																																																																
A	First Issue	Mr. CHEN	2016/9/03	John kine																																																																																																																																
<p>Specifications Impedance: 50 Ohms Frequency Range: 0~6GHz VSWR: 1.25max Working Voltage: <170 V rms @ sea level Insulation Resistance: 5000 Ohms min Temperature Range: -65°C TO +165°C Drawings products are in line with ROHS standards</p>																																																																																																																																				
<table border="1" style="width: 100%; border-collapse: collapse;"> <tr> <td>1</td> <td>Body</td> <td>Brass</td> <td>GOLD</td> <td>1</td> <td rowspan="4">NOTE:</td> <td rowspan="4">Tolerance</td> <td>0-6</td> <td>±0.10</td> <td rowspan="4">  RENHOTEC GROUP www.renhotec.com </td> </tr> <tr> <td>2</td> <td>Insulation</td> <td>Teflon</td> <td>White</td> <td>1</td> <td>6-30</td> <td>±0.20</td> </tr> <tr> <td>3</td> <td>Pin</td> <td>Copper</td> <td>GOLD</td> <td>1</td> <td>30-120</td> <td>±0.30</td> </tr> <tr> <td>4</td> <td>FERRULE</td> <td>Brass</td> <td>NICKEL</td> <td>1</td> <td>Angular</td> <td>±2°</td> </tr> <tr> <td>5</td> <td></td> <td></td> <td></td> <td></td> <td>DRAWN</td> <td>2016/09/03</td> <td colspan="2">View</td> <td rowspan="2">Name: MCX PLUG R/A FOR RG316 CABLE</td> </tr> <tr> <td>6</td> <td></td> <td></td> <td></td> <td></td> <td>Zelin. CHEN</td> <td></td> <td colspan="2">UNIT</td> <td>SIZE</td> </tr> <tr> <td>7</td> <td></td> <td></td> <td></td> <td></td> <td>CHECKED</td> <td></td> <td colspan="2">UNIT</td> <td>Product NO.</td> </tr> <tr> <td>8</td> <td></td> <td></td> <td></td> <td></td> <td></td> <td></td> <td colspan="2">UNIT</td> <td>RHT-617-0130</td> </tr> <tr> <td>9</td> <td></td> <td></td> <td></td> <td></td> <td></td> <td></td> <td colspan="2">UNIT</td> <td>REV</td> </tr> <tr> <td>10</td> <td>Component Number</td> <td>Material</td> <td>Finish</td> <td>QTY</td> <td>APPROVALS</td> <td>03/09.2016</td> <td>SCALE</td> <td>1:1</td> <td>Date/Time</td> </tr> <tr> <td>1</td> <td></td> <td></td> <td></td> <td></td> <td>John Kine</td> <td></td> <td></td> <td></td> <td>2016/9/03</td> </tr> <tr> <td></td> <td></td> <td></td> <td></td> <td></td> <td></td> <td></td> <td></td> <td></td> <td>CAD FILE</td> </tr> <tr> <td></td> <td></td> <td></td> <td></td> <td></td> <td></td> <td></td> <td></td> <td></td> <td>D/company drawings/BD</td> </tr> <tr> <td></td> <td></td> <td></td> <td></td> <td></td> <td></td> <td></td> <td></td> <td></td> <td>SHEET: 1 OF 1</td> </tr> </table>	1	Body	Brass	GOLD	1	NOTE:	Tolerance	0-6	±0.10	 RENHOTEC GROUP www.renhotec.com	2	Insulation	Teflon	White	1	6-30	±0.20	3	Pin	Copper	GOLD	1	30-120	±0.30	4	FERRULE	Brass	NICKEL	1	Angular	±2°	5					DRAWN	2016/09/03	View		Name: MCX PLUG R/A FOR RG316 CABLE	6					Zelin. CHEN		UNIT		SIZE	7					CHECKED		UNIT		Product NO.	8							UNIT		RHT-617-0130	9							UNIT		REV	10	Component Number	Material	Finish	QTY	APPROVALS	03/09.2016	SCALE	1:1	Date/Time	1					John Kine				2016/9/03										CAD FILE										D/company drawings/BD										SHEET: 1 OF 1	
1	Body	Brass	GOLD	1	NOTE:			Tolerance	0-6		±0.10	 RENHOTEC GROUP www.renhotec.com																																																																																																																								
2	Insulation	Teflon	White	1					6-30		±0.20																																																																																																																									
3	Pin	Copper	GOLD	1					30-120		±0.30																																																																																																																									
4	FERRULE	Brass	NICKEL	1		Angular	±2°																																																																																																																													
5					DRAWN	2016/09/03	View		Name: MCX PLUG R/A FOR RG316 CABLE																																																																																																																											
6					Zelin. CHEN		UNIT			SIZE																																																																																																																										
7					CHECKED		UNIT		Product NO.																																																																																																																											
8							UNIT		RHT-617-0130																																																																																																																											
9							UNIT		REV																																																																																																																											
10	Component Number	Material	Finish	QTY	APPROVALS	03/09.2016	SCALE	1:1	Date/Time																																																																																																																											
1					John Kine				2016/9/03																																																																																																																											
									CAD FILE																																																																																																																											
									D/company drawings/BD																																																																																																																											
									SHEET: 1 OF 1																																																																																																																											

Basic Information

Cable Type	RG316
Connector Type	Plug
Mounting Type	Cable Mount
Number of Ports	1
Orientation	Right Angle
Fastening Type	Push-Pull

Mechanical Specification

Contact Termination Style	Solder Cup
Mating Durability	≥ 500 Cycles

Material Specification

Shield Termination	Crimp
---------------------------	-------

Environmental Specification

Temperature Range	-65°C to +165°C
Corrosion Resistance	MIL-STD-202 Meth. 101
Vibration	MIL-STD-202 Meth. 204

Material and Finish

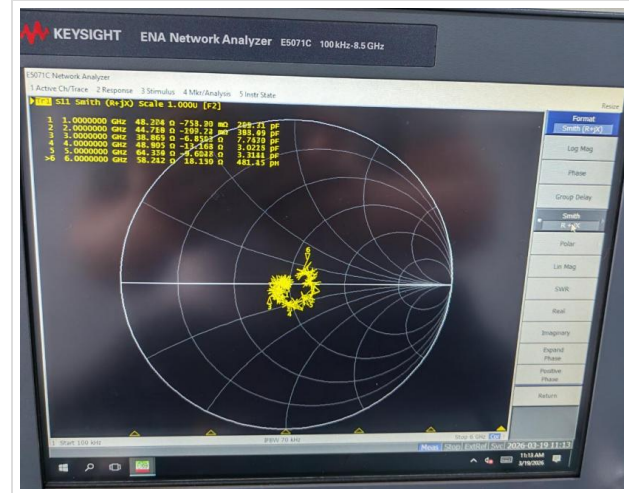
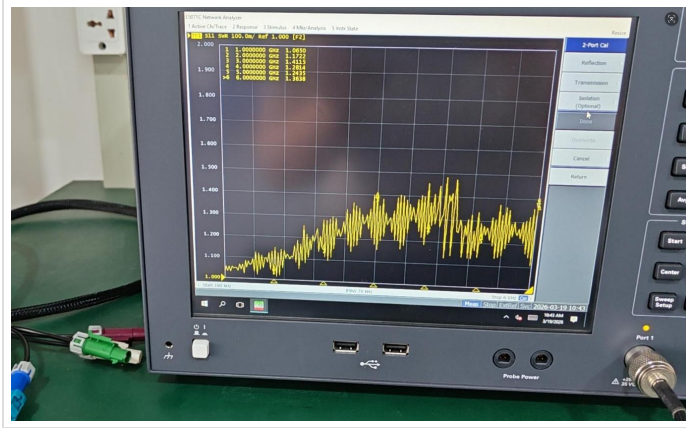
Component Description	Material	Finish
Shell	Copper Alloy	Gold Plated
Insulator	Teflon White	
Center Contact	Brass	Gold Plated

Impedance Testing

Impedance	50 ohm
-----------	--------

Frequency & VSWR Test Report

Frequency Range	6GHz
VSWR	≤1.15 (DC to 4 GHz), ≤1.40 (4 to 6 GHz)



Contact Resistance Test

Contact Type	Male Pin
Center Contact Resistance	5 MΩ Min
Outer Contact Resistance	1 MΩ Min



Working Voltage & Insulation Resistance Test

Rated Voltage	500 Volts RMS Max Continuous
Dielectric Withstanding Voltage	1000 VRMS Max
Insulation Resistance	500MΩ Min



Version History

REV	Date	Revise Contents	Drafter	Approver
A.0	2026.5.13	The initial formulation	Esther	Joson

Disclaimer

The information in this specification is subject to change without notice. Please confirm the latest version before use. Technical parameters are for reference only, and sufficient testing and verification should be conducted in actual applications.