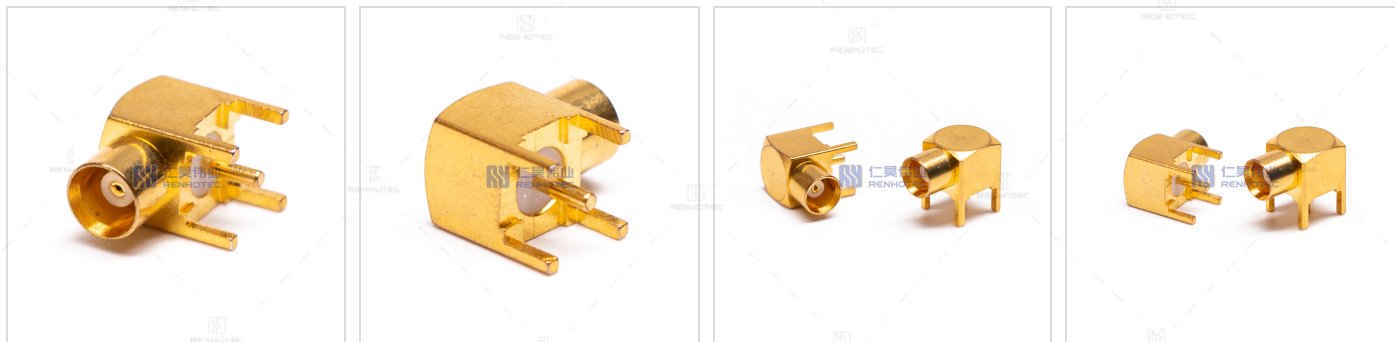



**MCX Connector Jack Solder Panel Mount Through Hole 50ohm - DOSIN-809-0050-S**




**Drawing**

		Product NO. DOSIN-809-0050				
		REV	DESCRIPTION	DWN	DATE	APPROVEN
		A	First issue	Mr. chen	2014/04/25	John kine
				B		

**Specifications**

Impedance: 50 Ohms  
 Frequency Range: 0~6Ghz  
 VSWR: 1.25max  
 Working Voltage: <170 V rms @ sea level  
 Insulation Resistance: 5000 Ohms min  
 Temperature Range: -65°C TO +165°C  
 Drawings products are in line with ROHS standards

1	Body	Brass	AU:2u"	1	NOTE:	Tolerance	X.	±0.10	 <b>Dosin Industrial(H.K)Co.Ltd</b> 东莞市德索五金电子制品有限公司 Dosin Hardware Electronics Co.,Ltd
2	Insulation	Teflon	White	1			X.X	±0.08	
3	Pin	Copper	AU:3u"	1			X.XX	±0.05	
4						Angular	±5°	Name: MMCX Jack PCB Mount	
5					DRAWN	2016/04/25	View		SIZE A Product NO. DOSIN-809-0050 DateTime 2016/4/25
6					CHECKED				
7					APPROVALS	25/04.2016	SCALE	1:1	
8					John				
9									
10	Component Number	Material	Finish	QTY	APPROVALS	25/04.2016			

## Basic Information

Connector Type	Jack
Mounting Feature	Through Hole
Mounting Type	Panel Mount
Number of Ports	1
Orientation	Right Angle
Fastening Type	Push-Pull

## Mechanical Specification

Contact Termination Style	Solder
Mating Durability	≥ 500 Cycles

## Material Specification

Shield Termination	Solder
--------------------	--------

## Environmental Specification

Temperature Range	-65°C to +165°C
Corrosion Resistance	MIL-STD-202 Meth. 101
Vibration	MIL-STD-202 Meth. 204

## Material and Finish

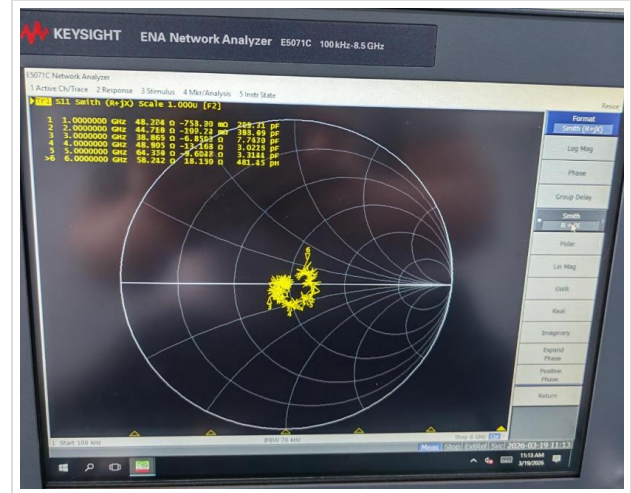
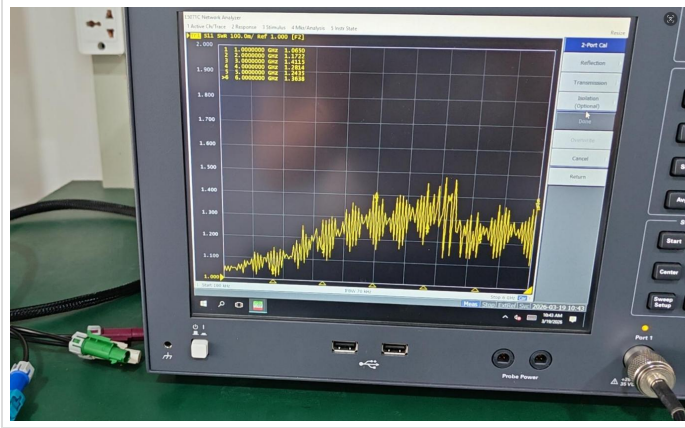
Component Description	Material	Finish
Shell	Copper Alloy	Gold Plated
Insulator	Teflon White	
Center Contact	Brass	Gold Plated

## Impedance Testing

Impedance	50 ohm
-----------	--------

**Frequency & VSWR Test Report**

Frequency Range	6GHz
VSWR	≤1.15 (DC to 4 GHz), ≤1.40 (4 to 6 GHz)



**Contact Resistance Test**

Contact Type	Female Pin
Center Contact Resistance	5 MΩ Min
Outer Contact Resistance	1 MΩ Min



**Working Voltage & Insulation Resistance Test**

Rated Voltage	500 Volts RMS Max Continuous
Dielectric Withstanding Voltage	1000 VRMS Max
Insulation Resistance	500MΩ Min



**Version History**

REV	Date	Revise Contents	Drafter	Approver
A.0	2026.5.13	The initial formulation	Esther	Joson

**Disclaimer**

The information in this specification is subject to change without notice. Please confirm the latest version before use. Technical parameters are for reference only, and sufficient testing and verification should be conducted in actual applications.