



M8 Male Receptacle Bulkhead - Front Side Nut
Solder Mount



Basic Information

Series	M8
Contact Type	Male
Number of Positions	3 Pin, 4 Pin, 5 Pin, 6 Pin, 8 Pin
Connector Type	Receptacle
Fastening Type	Threaded
Mounting Feature	Bulkhead - Front Side Nut
Mounting Type	Panel Mount
Orientation	Straight
Shell Size	M8
Contact Termination	Solder

Electrical Specification

Rated Current	1.5A, 3A
Rated Voltage	30V, 60V

Material Specification

Shell Finish	Zinc Plating
Shell Material	Copper Alloy
Contact Finish	Gold
Contact Material	Copper Alloy

Environmental Specification

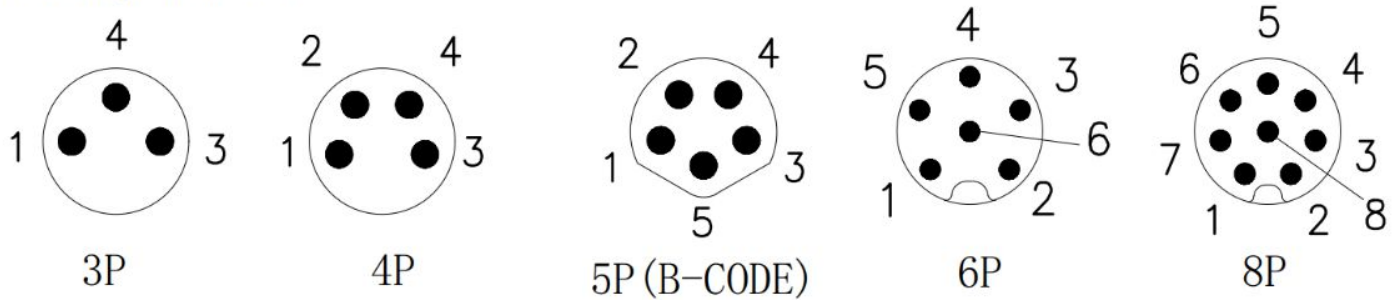
Operating Temperature	-25°C - +85°C
Ingress Protection	IP67

electronic_specification

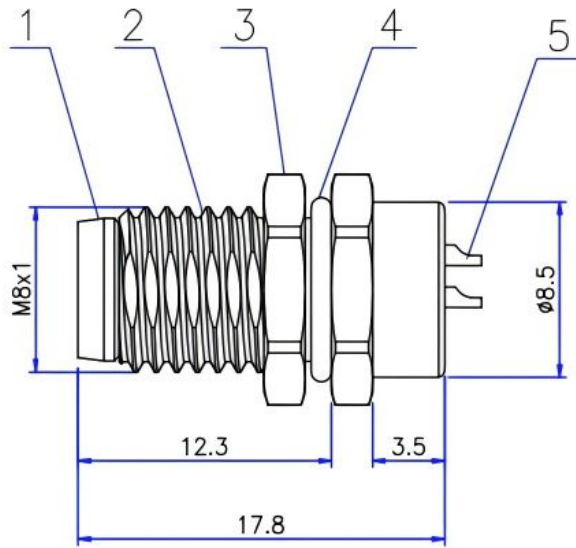
Shielding	Unshielded
-----------	------------

Contact Layout

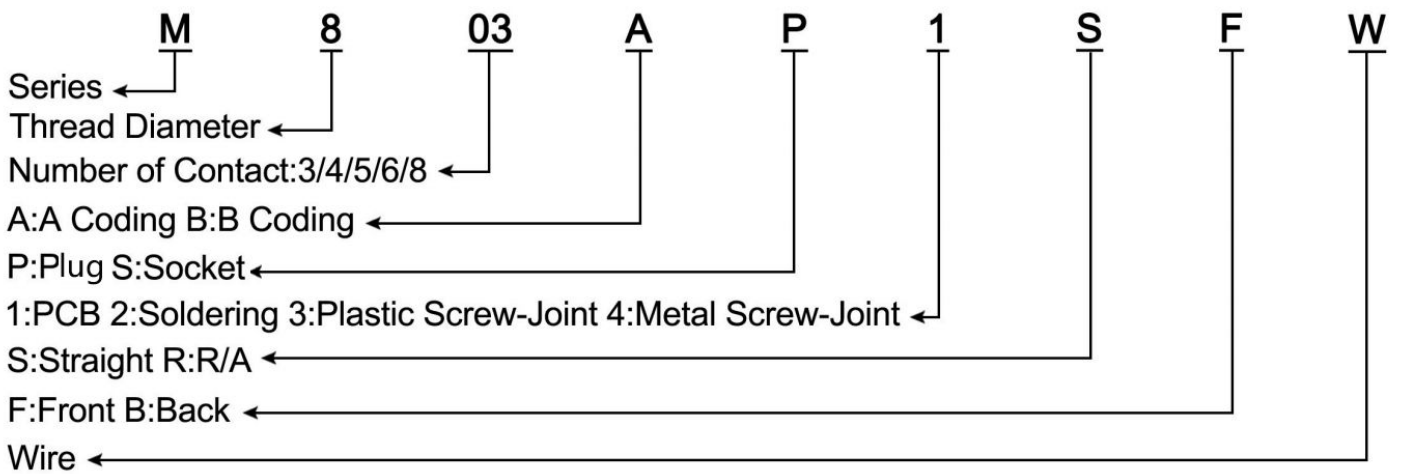
Pin Layout (male):



Size



How to Order



Disclaimer

The information in this specification is subject to change without notice. Please confirm the latest version before use. Technical parameters are for reference only, and sufficient testing and verification should be conducted in actual applications.