

## M12 Field Wireable Connector Female Plastic Shell

Part Number:

**M12D-4PF-AN-S001**

### Basic Information

Series	M12
Connector Type	Plug
Orientation	Straight
Mounting Type	Cable Type
Fastening Type	Threaded
Shell Size	M12
Number of Positions	4 Pin
Key	D
Contact Termination	Inner Screw
Contact Type	Female

### Electrical Specification

Rated Current	1.5A, 2A, 4A
Rated Voltage	250V, 30V, 60V

### Material Specification

Shell Material	PA66+GF
Contact Finish	Gold
Contact Material	Copper Alloy

### Environmental Specification

Operating Temperature	-25°C – +85°C
Ingress Protection	IP67

**electronic\_specification**

Shielding

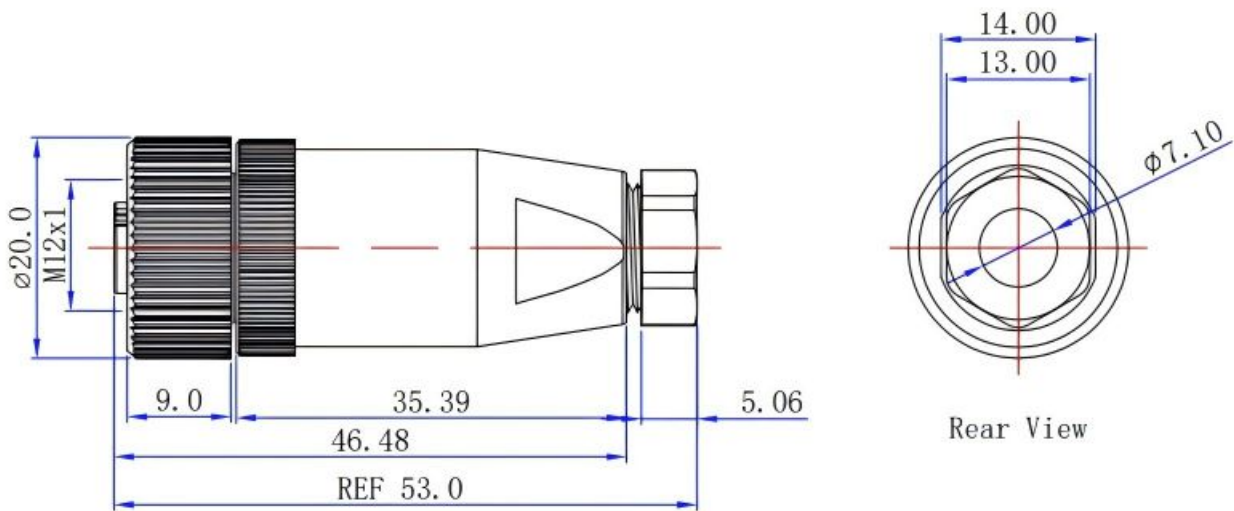
Unshielded

**Contact Layout**

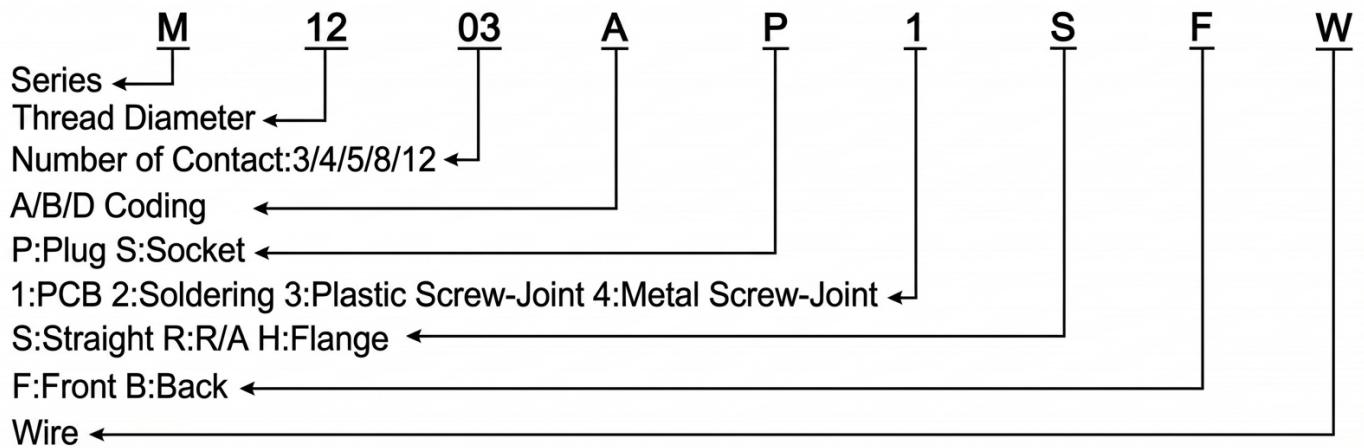


D-CODE 4P

**Size**



## How to Order



### Disclaimer

The information in this specification is subject to change without notice. Please confirm the latest version before use. Technical parameters are for reference only, and sufficient testing and verification should be conducted in actual applications.