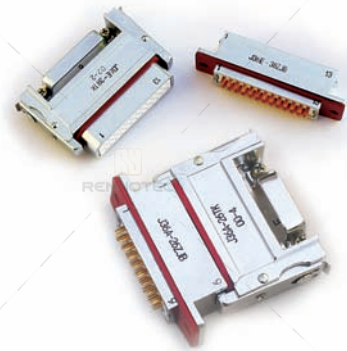


J36A Series Rectangular Connectors

Overview

- Instrument-type electrical connectors.
- Small size, high density, and comprehensive specifications.
- Double safety locking mechanism for high reliability.
- Standard type with a dew-proof sealed plug (T2 series)
- Solder termination, available with straight pin and 90-degree bent PCB receptacles.
- Solder hole diameter is 1mm; recommended soldering wire cross-section is 0.35mm².



Applications

Widely used for internal electrical signal connections in equipment cabins across aerospace, aviation, defense, marine, communications, and computer industries.

Environmental Conditions

Operating Temperature:	-55°C ~ +125°C
Relative Humidity:	90% ~ 95% at 40 ± 2°C
Atmospheric Pressure:	101.3kPa ~ 1.33Pa
Sine Vibration:	10 ~ 2000Hz, acceleration 25G
Shock:	100G
Acceleration:	100G

Main Technical Performance

Rated Current:	5A
Contact Resistance:	Initial: 0.006 After test: 0.01
Insulation Resistance:	Under standard conditions: 5000M Under high temperature conditions: 500M Under high humidity: 50M Under condensation conditions: 20M (Only applicable to T2 series electrical connectors)
Dielectric Withstanding Voltage:	Under standard conditions: 1000V Under low atmospheric pressure conditions: 250V Under high humidity: 500V
Mating Cycles:	500

Execution Standards

Complies with Chinese national military standard GJB142A-94.

How to Order

Code	Description	Options
J	Rectangular Connector Designation	J - Rectangular Electrical Connector
36	Design Series	Design series number
A	Modification Code	Modification series code
9	Number of Contacts	Total number of contact pairs
Z	Shell Type	Z - Receptacle T - Plug T2 - Anti-condensation plus
J	Contact Type	K - Female Socket K2 - Straight plug-in PCB socket J - Male Pin J2 - Straight plug-in pcb pin
B	Mounting Style (applicable to sockets only)	B - Panel mount L - Cable mount

Example: The electrical connector designation for the J36A series with 9 contacts, plug product type, and socket contact type is: J36A-9TK.

Example: The electrical connector designation for the J36A series with 9 contacts, receptacle product type, pin contact type, and panel-mounted installation is: J36A-9ZJB.

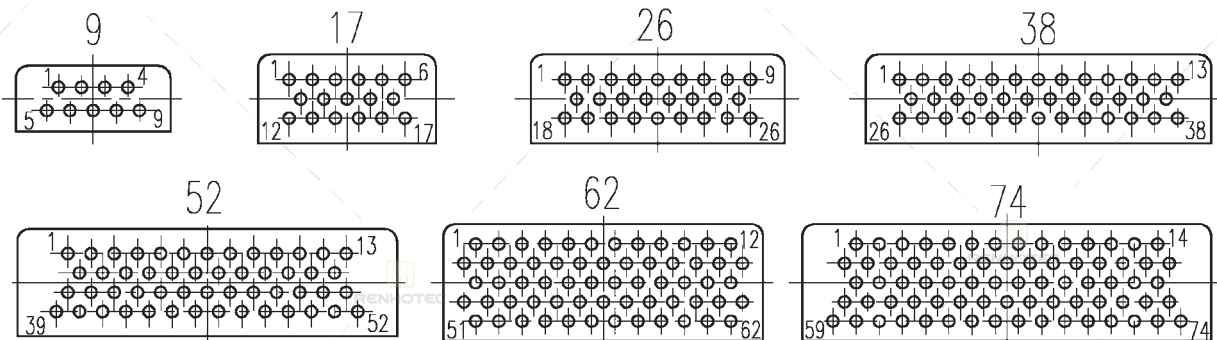
Models and Usage Combinations

Plug	Receptacle	Plug	Receptacle
J36A-nTK	J36A-nZJB	J36A-nTJ	J36A-nZKB
	J36A-nZJL		J36A-nZKL
	J36A-nZJ2B		J36A-nZK2B
J36A-nT2K	J36A-nZJB	J36A-nT2J	J36A-nZKB
	J36A-nZJL		J36A-nZKL
	J36A-nZJ2B		J36A-nZK2B
J36W-nTK	J36W-nZJB	J36W-nTJ	J36W-nZKB
	J36W-nZJL		J36W-nZKL

Note : n represents the number of contacts, which are 9, 17, 26, 38, 52, 62, and 74 pins respectively.

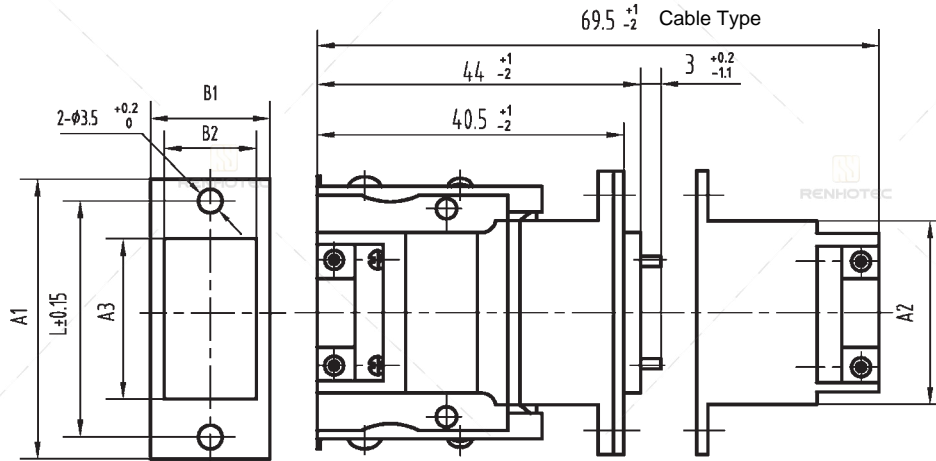
Contact Arrangement

(Using the socket hole numbers on the mating interface as an example)



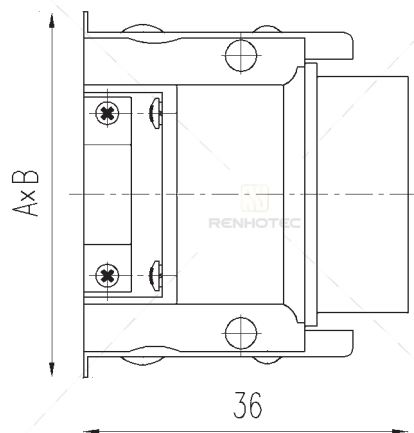
Outline Dimensions and Recommended Mounting Dimensions

1. For the mated outline dimensions of J36A plugs and receptacles, refer to the mating diagram



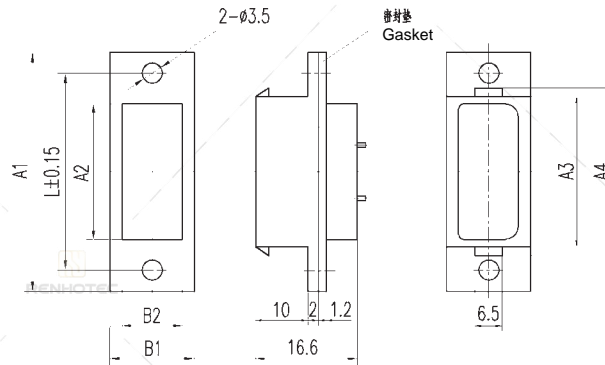
MPN (n: number of contacts)		n	A1	L ± 0,15	A2	A3	B1	B2
J36A-n J36W-n	TK	9	34	28	22	19	13.5	10.5
	T2K	17	39	32	25	22	16	13
	TJ	26	49	42	35	32	16	13
	T2J	38	59	52	45	42	16	13
	ZJB	52	61	54	47	44	18.5	15.5
	ZKB	52	61	54	47	44	18.5	15.5
	ZJL	62	59	52	45	42	21	18
	ZKL	74	67	60	53	50	21	18

2. Plug Outline Dimensions:



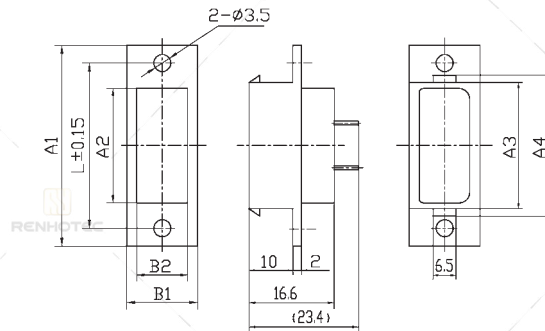
MPN (n: number of contacts)	n	A ₋₁ ⁺²	B
J36A-nTK	9	34	13.5
J36A-nTJ	17	37	16
J36A-nT2K	26	47	16
J36A-nT2J	38	57	16
J36W-nTK	52	59	18.5
J36W-nTJ	62	57	21
J36W-nTK	74	65	21

3. Panel-Mount Solder Cup Receptacle Outline Dimensions:



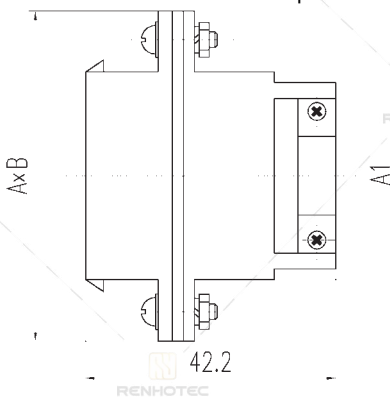
MPN (n: number of contacts)	n	L ± 0.15	A1	A2	A3	A4	B1	B2
J36A-nZJB J36A-nZKB J36W-nZJB J36W-nZKB	9	28	34	19	22	25	13.5	10.5
	17	32	39	22	25	28	16	13
	26	42	49	32	35	38	16	13
	38	52	59	42	45	48	16	13
	52	54	61	44	47	50	18.5	15.5
	62	52	59	42	45	48	21	18
74	60	67	50	53	56	21	18	

4. Panel-Mount Straight Solder Pin PCB Receptacle Outline Dimensions:



MPN (n: number of contacts)	n	L ± 0.15	A1	A2	A3	A4	B1	B2
J36A-nZJ2B J36A-nZK2B	9	28	34	19	22	25	13.5	10.5
	17	32	39	22	25	28	16	13
	26	42	49	32	35	38	16	13
	38	52	59	42	45	48	16	13
	52	54	61	44	47	50	18.5	15.5
	62	52	59	42	45	48	21	18
74	60	67	50	53	56	21	18	

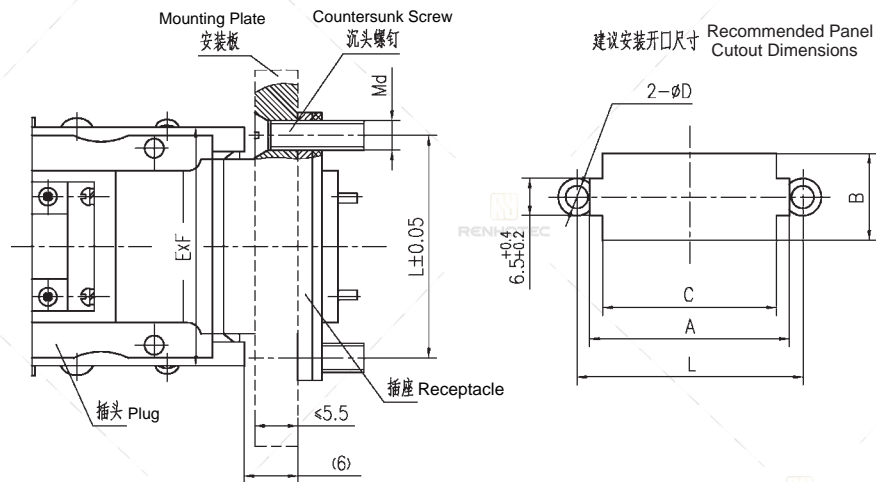
5. Cable-Mount Receptacle Outline Dimensions:



MPN (n: number of contacts)	n	A	B	A1
J36A-nZJL J36A-nZKL J36W-nZJL J36W-nZKL	9	34	13.5	22
	17	39	16	25
	26	49	16	35
	38	59	16	45
	52	61	18.5	47
	62	59	21	45
74	67	21	53	

MPN (n: number of contacts)	n	A	B	C±0.15	D	E	F	G
J36A—nZJ4B J36A—nZK4B	9	34	13.5	28	25	22	19	10.5
	17	39	16	32	28	25	22	13
	26	49	16	42	38	35	32	13
	38	59	16	52	48	45	42	13
	52	61	18.5	54	50	47	44	15.5
	62	59	21	52	48	45	42	18
	74	67	21	60	56	53	50	18

6. Receptacle Outline and Recommended Panel Cutout Dimensions: (Rear Mount)



MPN (n: number of contacts)	n	L±0.05	A ^{+0.3} / _{+0.1}	B ^{+0.4} / _{+0.2}	C ^{+0.3} / _{+0.1}	d	D±0.05	E	F±0.15
J36A—nZJB J36A—nZKB J36W—nZJB J36W—nZKB	9	28	25	13.5	23.5	2	2.2	< 34	13.5
	17	32	28	16	26.5	2.5	2.7	< 37	16
	26	42	38	16	36.5	2.5	2.7	< 47	16
	38	52	48	16	46.5	2.5	2.7	< 57	16
	52	54	50	18.5	48.5	2.5	2.7	< 59	18.5
	62	52	48	21	46.5	3	3.2	< 57	21
	74	60	56	21	54.5	3	3.2	< 65	21

Recommended Mounting Dimensions for J36A Series Straight PCB Rectangular Electrical Connectors

(Note: The dimensions in the right figure are the same as those in the left figure.)

Contacts	J36A-nZJ2B	J36A-nZK2B
9		
17		
26		
38		
52		
62		
74		