



Energy Battery Storage Connector Right Angle 200A  
50mm<sup>2</sup> Unshielded Cable Orange

Part Number:

**FSP840180TZ-50U0A1RH**



### Basic Information

Connector Type	Plug
Orientation	Right Angle
Color	Orange
Wire Gauge	50mm <sup>2</sup>
Contact Termination	Crimp
Mounting Type	Cable Mount
Terminal	8mm
Key	Z

### Material Specification

Shell Material	Nylon
Contact Finish	Silver Plating
Contact Material	T2

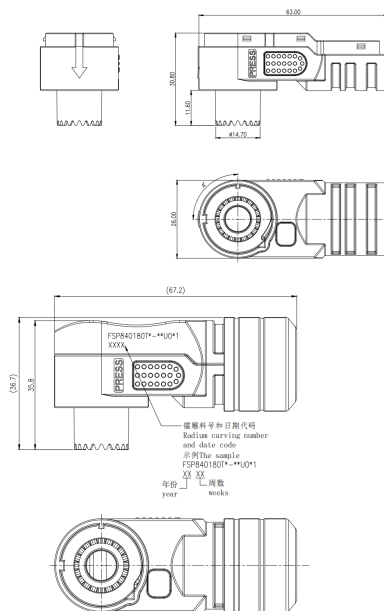
### Environmental Specification

Operating Temperature	-40°C to +125°C
Flammability	UL94 V-0
Ingress Protection	IP54

### Electrical Specification

Rated Current	200A
Rated Voltage	1000V

### Size



### Disclaimer

The information in this specification is subject to change without notice. Please confirm the latest version before use. Technical parameters are for reference only, and sufficient testing and verification should be conducted in actual applications.