



Energy Battery Storage Connector Right Angle 250A  
Orange 70mm<sup>2</sup> Unshielded Cable

Part Number:

**FSP800180TZ-70U0A2RH**



### Basic Information

Connector Type	Plug
Orientation	Right Angle
Color	Orange
Wire Gauge	70mm <sup>2</sup>
Contact Termination	Crimp
Mounting Type	Cable Mount
Terminal	8mm
Key	Z

### Material Specification

Shell Material	Nylon
Contact Finish	Silver Plating
Contact Material	T2

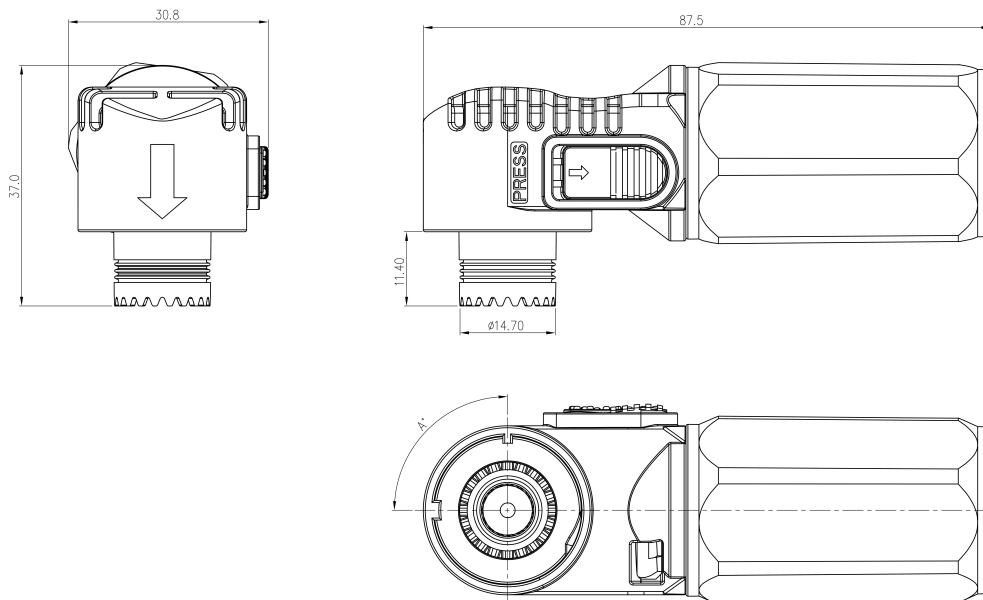
**Environmental Specification**

Operating Temperature	-40°C to +125°C
Flammability	UL94 V-0
Ingress Protection	IP67

**Electrical Specification**

Rated Current	250A
Rated Voltage	1000V

**Size**



**Disclaimer**

The information in this specification is subject to change without notice. Please confirm the latest version before use. Technical parameters are for reference only, and sufficient testing and verification should be conducted in actual applications.