



Energy Battery Storage Connector Right Angle 100A  
16mm<sup>2</sup> Unshielded Cable Orange

Part Number:

**FSP800160TZ-16U0A2RH**



### Basic Information

Connector Type	Plug
Orientation	Right Angle
Color	Orange
Wire Gauge	16mm <sup>2</sup>
Contact Termination	Crimp
Mounting Type	Cable Mount
Mating Cycles	>500
Terminal	6mm

### Material Specification

Shell Material	Nylon
Contact Finish	Silver Plating

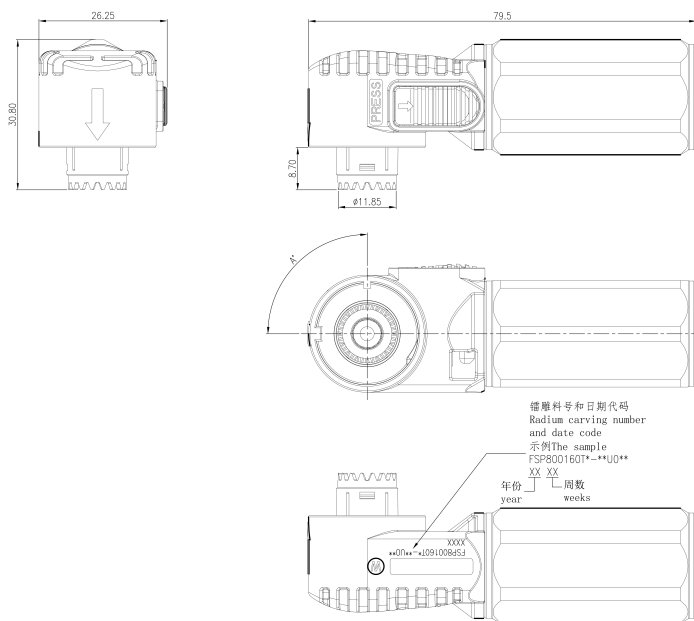
### Environmental Specification

Operating Temperature	-40°C to +125°C
Flammability	UL94 V-0
Ingress Protection	IP67

### Electrical Specification

Rated Current	100A
Rated Voltage	1000V
Insulation Resistance	≥1000MΩ

### Size



### Disclaimer

The information in this specification is subject to change without notice. Please confirm the latest version before use. Technical parameters are for reference only, and sufficient testing and verification should be conducted in actual applications.