



Energy Battery Storage Connector Right Angle 100A
Black 16mm² Unshielded Cable

Part Number:

FSP800160TW-16U0B1RH

Basic Information

| | |
|---------------------|-------------------|
| Connector Type | Plug |
| Orientation | Right Angle |
| Color | Black |
| Wire Gauge | 16mm ² |
| Contact Termination | Crimp |
| Mounting Type | Cable Mount |
| Mating Cycles | >500 |
| Terminal | 6mm |

Material Specification

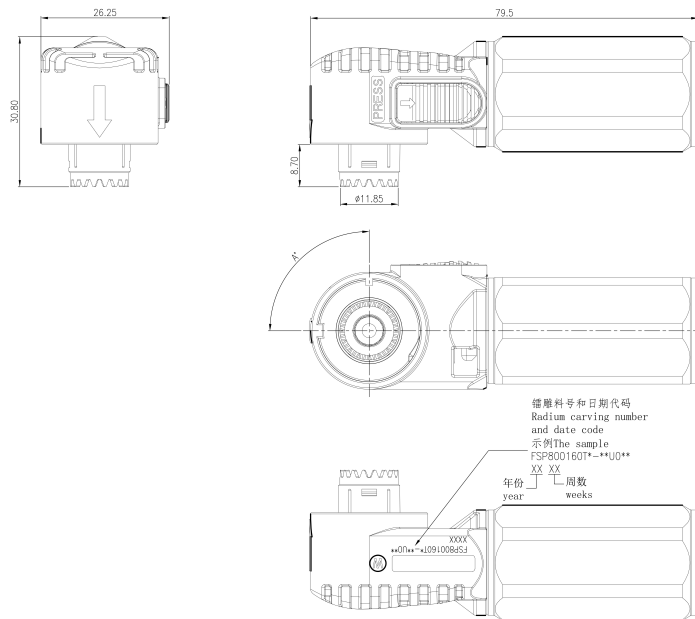
| | |
|----------------|----------------|
| Shell Material | Nylon |
| Contact Finish | Silver Plating |

Environmental Specification

| | |
|-----------------------|-----------------|
| Operating Temperature | -40°C to +125°C |
| Flammability | UL94 V-0 |
| Ingress Protection | IP67 |

Electrical Specification

| | |
|-----------------------|---------|
| Rated Current | 100A |
| Rated Voltage | 1000V |
| Insulation Resistance | ≥1000MΩ |

Size

Disclaimer

The information in this specification is subject to change without notice. Please confirm the latest version before use. Technical parameters are for reference only, and sufficient testing and verification should be conducted in actual applications.