



Side Entry Plastic Power Connector 200A Socket with Busbar Orange

Part Number:

**FSP240101TW-UH6H**



### Basic Information

Connector Type	Socket
Orientation	Straight
Color	Orange
Contact Termination	Busbar
Mounting Type	Panel Mount
Terminal	8mm
Key	W

### Material Specification

Shell Material	Nylon
Contact Finish	Silver Plating
Contact Material	T2

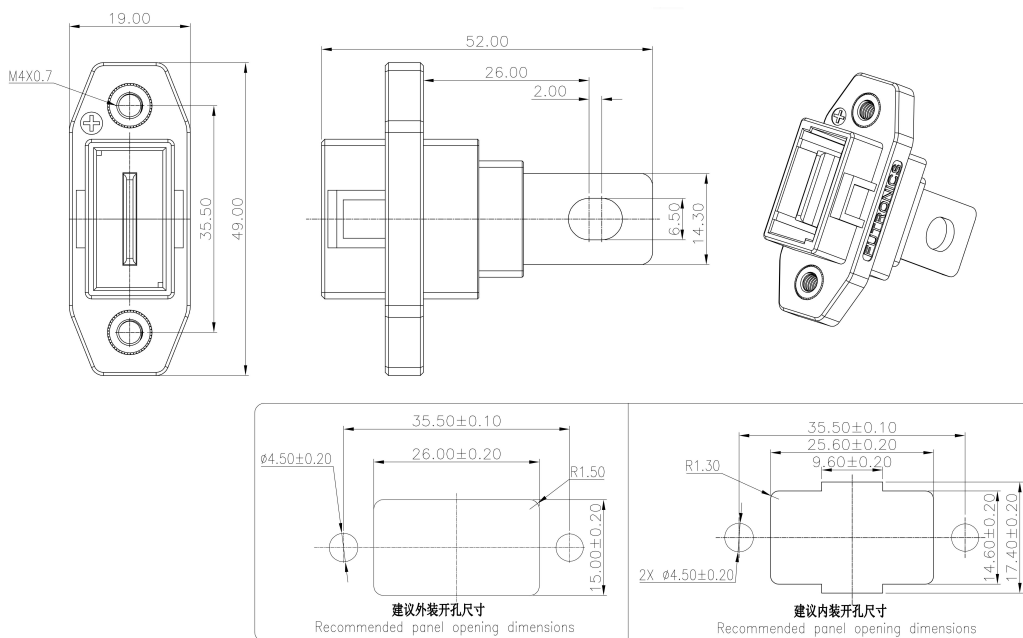
### Environmental Specification

Operating Temperature	-40°C to +125°C
Flammability	UL94 V-0
Ingress Protection	IP20

### Electrical Specification

Rated Current	200A
Rated Voltage	1000V

### Size



### Disclaimer

The information in this specification is subject to change without notice. Please confirm the latest version before use. Technical parameters are for reference only, and sufficient testing and verification should be conducted in actual applications.