



Energy Battery Storage Connector 125A Socket Busbar Terminal(M6 screw) Black 6.0mm

Part Number:

**FSP220160CW-UM61BRH**



### Basic Information

Connector Type	Socket
Orientation	Straight
Color	Black
Contact Termination	Crimp
Mounting Type	Cable Mount
Mating Cycles	>500

### Material Specification

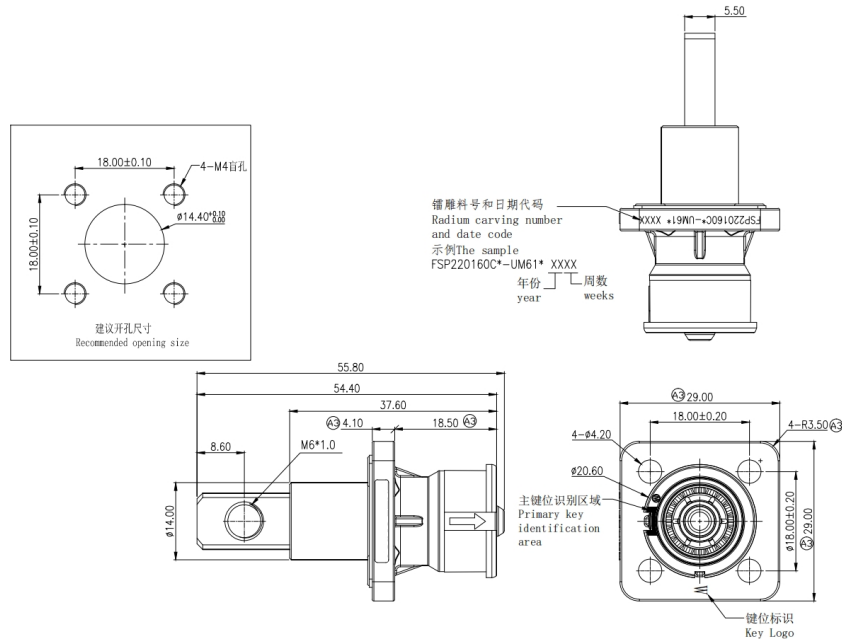
Shell Material	Nylon
Contact Finish	Silver Plating

### Environmental Specification

Operating Temperature	-40°C to +125°C
Flammability	UL94 V-0
Ingress Protection	IP67

**Electrical Specification**

Rated Current	125A
Rated Voltage	1000V
Insulation Resistance	≥1000MΩ

**Size**

**Disclaimer**

The information in this specification is subject to change without notice. Please confirm the latest version before use. Technical parameters are for reference only, and sufficient testing and verification should be conducted in actual applications.