



Energy Battery Storage Connector Socket with Bustar M8 Red 8mm

Part Number:

**FSP200180CZ-UM81RRH**



### Basic Information

Connector Type	Socket
Orientation	Straight
Color	Red
Contact Termination	Crimp
Mounting Type	Cable Mount
Mating Cycles	>500
Terminal	8mm

### Material Specification

Shell Material	Nylon
Contact Finish	Silver Plating

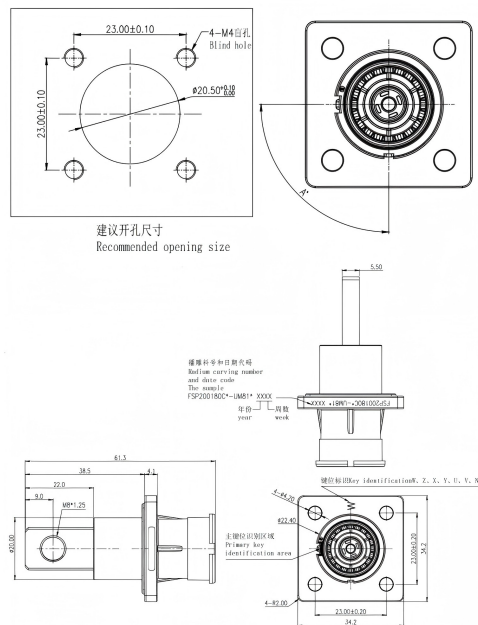
### Environmental Specification

Operating Temperature	-40°C to +125°C
Flammability	UL94 V-0
Ingress Protection	IP67

### Electrical Specification

Rated Voltage	1000V
Insulation Resistance	$\geq 1000M\Omega$

### Size



### Disclaimer

The information in this specification is subject to change without notice. Please confirm the latest version before use. Technical parameters are for reference only, and sufficient testing and verification should be conducted in actual applications.